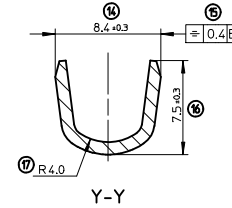
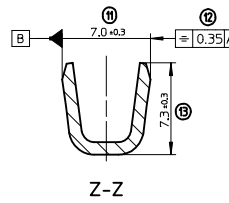
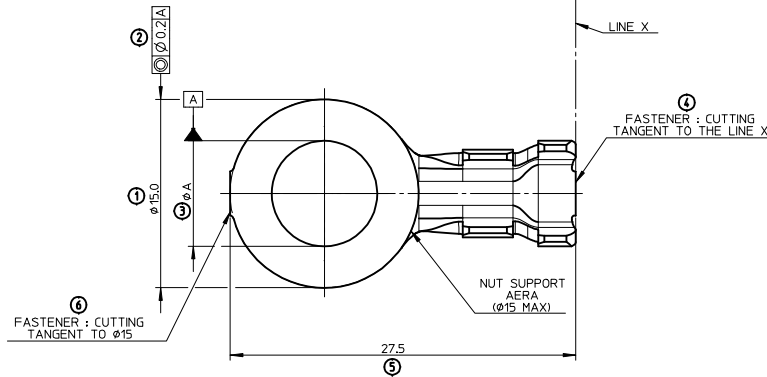
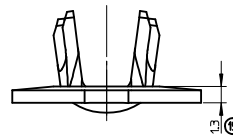
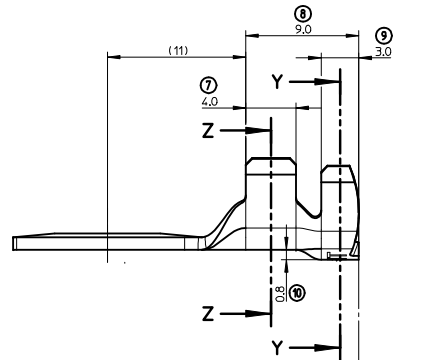
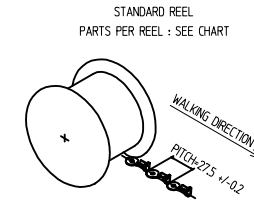


SECTIONS



PACKAGING



PART SHOWN : 0988601079

PART NUMBER	ØA ±0.1	PARTS PER REEL
0988601069	4.5	1800
0988601079	8.4	2400

MARKING :

1 - ENGINEERING CONTROL ID

NOTES :

- 1 - MATERIAL : BRASS THICKNESS 1 MM[Ⓢ]
- 2 - PLATING : PRE-TIN PLATED
- 3 - CRIMPING RANGE (mm2) : 5 TO 10
- 4 - PACKAGING : PARTS DELIVERED ON STRIP (SEE VIEW)

INSPECTION BALLOON NUMBER LOG

PER DRAWING REVISION : T
 LAST BALLOON NUMBER USED : 18
 ADDED BALLOON NUMBERS : 19
 REMOVED BALLOON NUMBERS : NONE

T REDRAW P/N 0988601069/1079 WITH CINCH STATUS - ADD DIM:19 : 1.3 ±0.2 VOID P/N : 0988601059/1179

S ADD 2 CHAMFERS ON "INSULATION" BARREL
 ADD 4 SERRATIONS
 ADD MARKINGS : ENGINEERING CONTROL ID MATERIAL AND DATUM
 FLATNESS ON NUT SUPPORT AERA
 DELETE SHEET 2 : CRIMP PARAMETERS

REVISED / REDRAW	QUALITY SYMBOLS	GENERAL TOLERANCES (UNLESS SPECIFIED)		DIMENSION STYLE		SCALE	DESIGN UNITS	FIRST ANGLE PROJECTION
		mm	INCH	MM ONLY	DATE			
REVISED / REDRAW EC NO: GZ013-0166 DRAWN: PBOSQUAIN 2017/06/22 CHKD: JDUCLLOS 2017/06/22 APPR: OPLESSIS 2017/09/28	▽=0 ▽=0 ▽=0	4 PLACES ±	±	MM ONLY	PBOSQUAIN 2012/02/06	5:1	METRIC	RING TERMINAL 4-8X15X1 5-10
		3 PLACES ±	±		CHECKED BY DATE JDUCLLOS 2012/02/06			molex SD-98860-001
		2 PLACES ±	±		APPROVED BY DATE OPLESSIS 2013/04/10			
		1 PLACE ±	±					SHEET NO. 1 OF 1
		0 PLACE ±	±					INCORPORATED AND SHOULD NOT BE USED WITHOUT WRITTEN PERMISSION