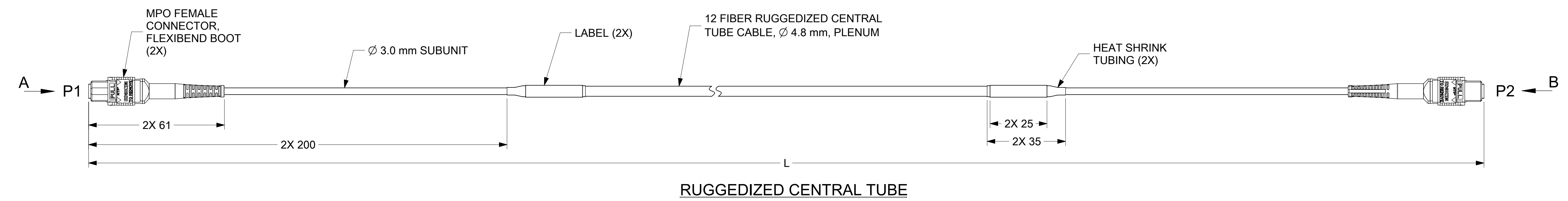
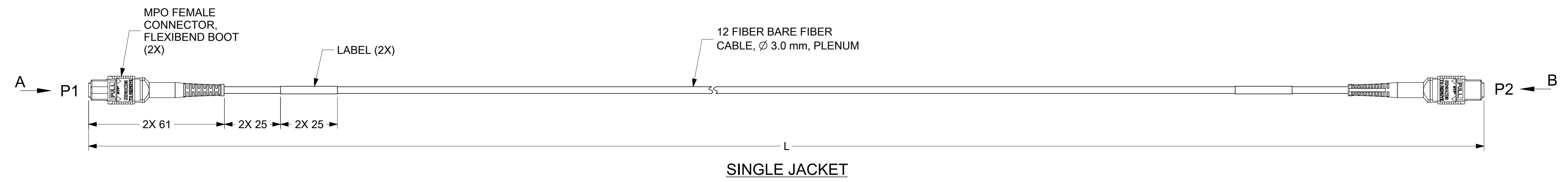


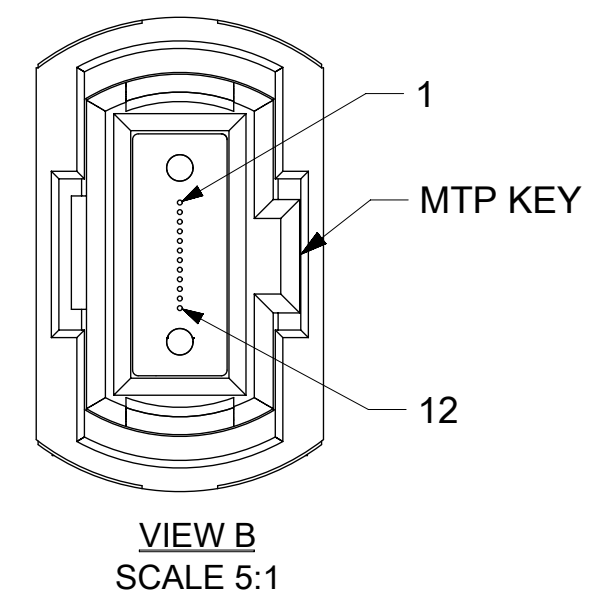
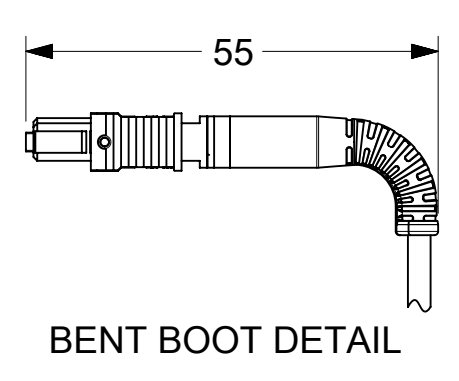
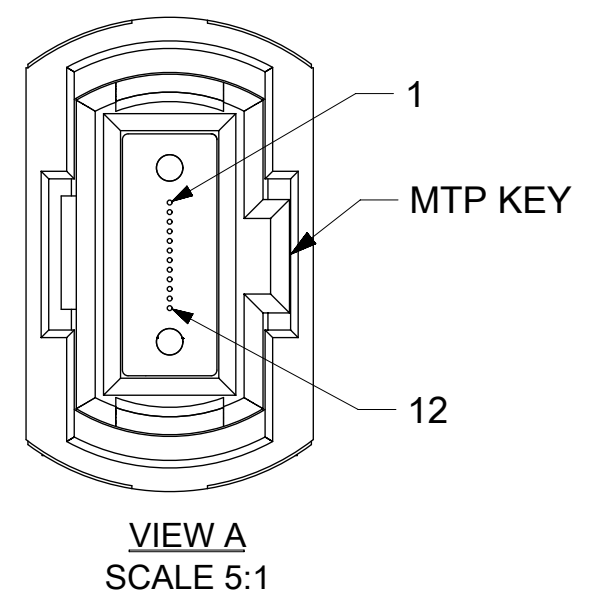
	19	18	17	16	15	14	13	12	11	10	9	8	7	6	5	4	3	2	1	
M																				M
L																				L
K																				K
J																				J
H																				H
G																				G
F																				F
E																				E
D																				D
C																				C
B																				B
A																				A
	19	18	17	16	15	14	13	12	11	10	9	8	7	6	5	4	3	2	1	

TRUNK CABLE P/N	OVERALL LENGTH, L (m)	CABLE TYPE	FIBER TYPE	CONNECTOR/CABLE COLOR	INSERTION LOSS	RETURN LOSS
1062250073	1.0 +0.2 / -0	SINGLE JACKET	MM 50/125 μm OM3 BIF	AQUA / AQUA	0.35 dB @ 850 nm	---
1062250074	3.0 +0.2 / -0					
1062250075	5.0 +0.2 / -0					
1062250025	10.0 +0.2 / -0					
1062250076	15.0 +0.3 / -0					
1062250026	25.0 +0.5 / -0	RUGGEDIZED CENTRAL TUBE				
1062250027	50.0 +1.0 / -0					
1062250028	100.0 +2.0 / -0					
1062250077	1.0 +0.2 / -0	SINGLE JACKET	MM 50/125 μm OM4 BIF			
1062250078	3.0 +0.2 / -0					
1062250079	5.0 +0.2 / -0					
1062250029	10.0 +0.2 / -0					
1062250080	15.0 +0.3 / -0					
1062250030	25.0 +0.5 / -0	RUGGEDIZED CENTRAL TUBE				
1062250031	50.0 +1.0 / -0					
1062250032	100.0 +2.0 / -0					
1062250081	1.0 +0.2 / -0	SINGLE JACKET	SM 9/125 μm OS2 ITU-T G.657.A1 BIF	YELLOW / YELLOW	0.35 dB @ 1550 nm	- 50 dB @ 1550 nm
1062250082	3.0 +0.2 / -0					
1062250083	5.0 +0.2 / -0					
1062250033	10.0 +0.2 / -0					
1062250084	15.0 +0.3 / -0					
1062250034	25.0 +0.5 / -0	RUGGEDIZED CENTRAL TUBE				
1062250035	50.0 +1.0 / -0					
1062250036	100.0 +2.0 / -0					

CONNECTIONS	
FROM	TO
P1-1 THRU P1-12	P2-1 THRU P2-12



- NOTES:
1. ENDCAPS ARE NOT SHOWN BUT INCLUDED.
 2. LABEL IS PRINTED WITH MOLEX P/N AND SERIAL NUMBER.
 3. FOR DETAILED PRODUCT SPECIFICATION SEE DOCUMENT 1062250000 ES.
 4. CABLE CONSTRUCTION:
 - L < 25 meters - SINGLE JACKET CABLE
 - L ≥ 25 meters - RUGGEDIZED CENTRAL TUBE CABLE
 5. INSERTION LOSS TEST DATA IS PROVIDED WITH EACH SHIPMENT.
 6. PACKAGING:
 - L < 50 meters - INDIVIDUALLY COILED AND BAGGED
 - L ≥ 50 meters - SHIPPED ON SPOOLS



THIS DRAWING CONTAINS INFORMATION THAT IS PROPRIETARY TO MOLEX ELECTRONIC TECHNOLOGIES, LLC AND SHOULD NOT BE USED WITHOUT WRITTEN PERMISSION

DIMENSION UNITS	SCALE	CURRENT REV DESC:	
mm	1:1		
GENERAL TOLERANCES (UNLESS SPECIFIED)			
ANGULAR TOL	± °		
4 PLACES	±	EC NO: 707629	2022/05/17
3 PLACES	±	DRWN: IGUMIN	2022/05/25
2 PLACES	±	CHK'D: GGANCHANOK	2022/05/25
1 PLACE	±	APPR: GGANCHANOK	2022/05/25
0 PLACES	±	INITIAL REVISION:	
DRAFT WHERE APPLICABLE MUST REMAIN WITHIN DIMENSIONS		DRWN: IGUMIN	2017/03/13
		APPR: IGUMIN	2017/03/21
THIRD ANGLE PROJECTION	DRAWING	SERIES	DOCUMENT NUMBER
	D-SIZE	106225	1062250025
		MATERIAL NUMBER	CUSTOMER
		SEE TABLE	
			SHEET NUMBER
			1 OF 1

molex

MPO(F) TO MPO(F) TRUNK CABLE, FLEXIBEND BOOT, 12 FIBER, PLENUM

PRODUCT CUSTOMER DRAWING

