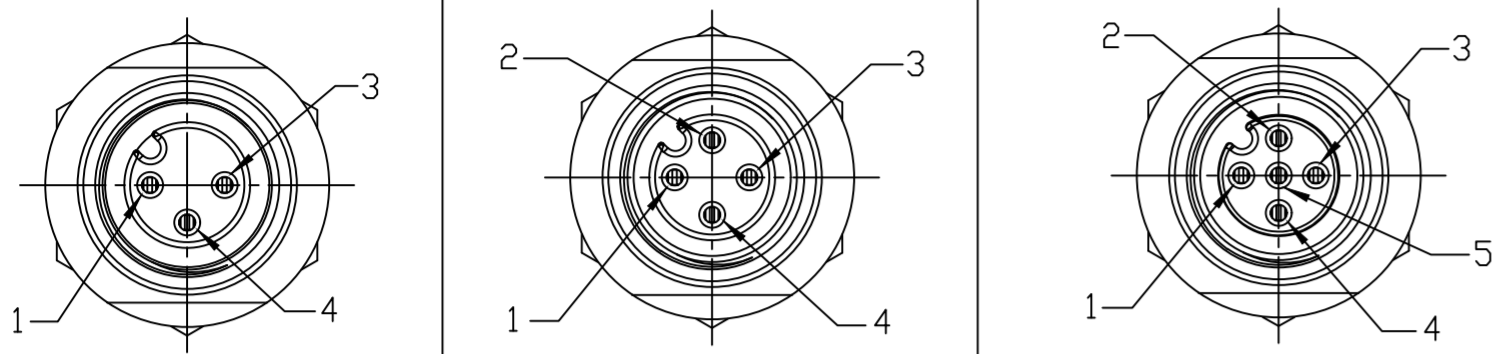


FACE VIEW - FEMALE INSERT



1 BROWN
3 BLUE
4 BLACK

1 BROWN
2 WHITE
3 BLUE
4 BLACK

1 BROWN
2 WHITE
3 BLUE
4 BLACK
5 GRAY

PART NUMBER LEGEND

8R3A00A18A1201

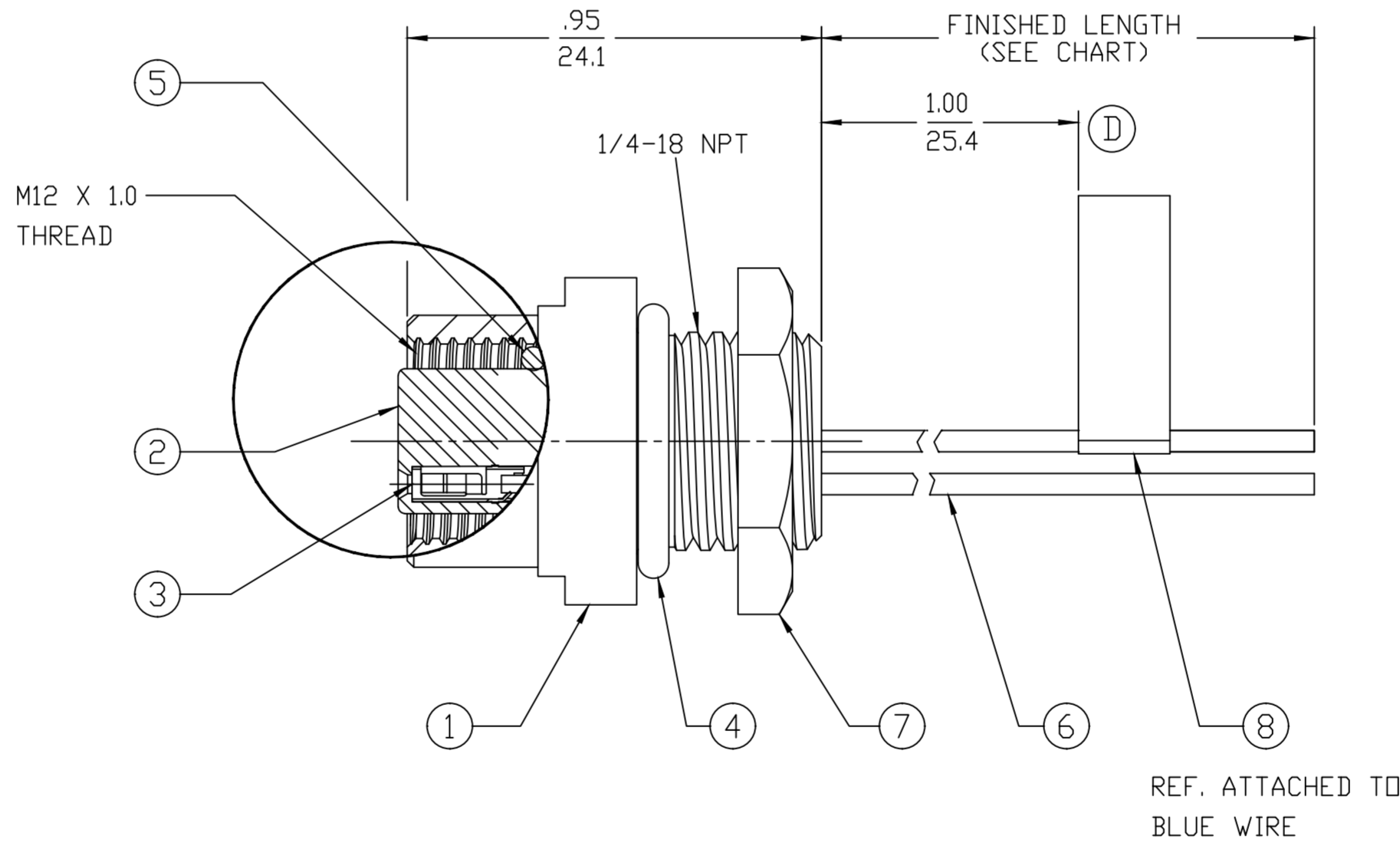
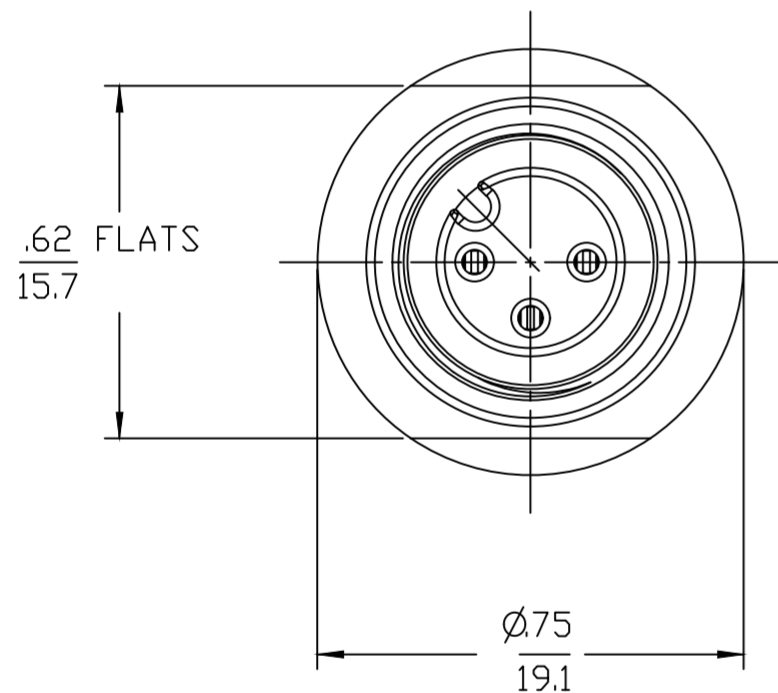
FINISHED LENGTH:
A120= 12 INCHES
M005= 0.5 METER
M010= 1 METER
M100= 10 METER

SHELL MATERIAL/FINISH
BLANK= ALUMINUM/BLACK ANODIZED
1 = 303 ST. STEEL
3 = BRASS/NICKEL PLATE
8 = 316 ST. STEEL

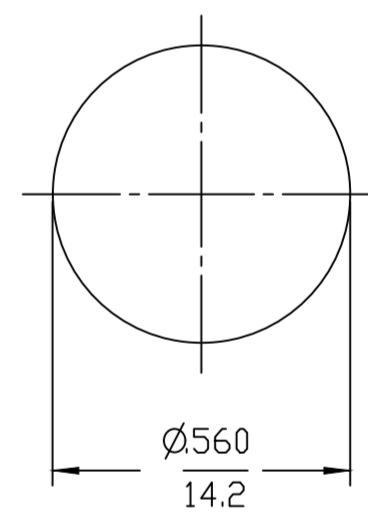
| PART NUMBER | POLES | DESCRIPTION | FINISHED LENGTH |
|-------------|-------|---------------|----------------------------------|
| 1200700056 | 3 | 8R3A00A18A120 | 12.0" +.75" -0 [0.3M +19.1MM -0] |
| 1200700114 | 4 | 8R4A00A18A120 | 12.0" +.75" -0 [0.3M +19.1MM -0] |
| 1200700201 | 5 | 8R5A00A18A120 | 12.0" +.75" -0 [0.3M +19.1MM -0] |
| 1200700119 | 4 | 8R4A00A18M010 | 3.28' +2.19" -0 [1M +55.6MM -0] |

NOTES:

- MATERIAL: SEE TABLE
- FINISHES: SEE TABLE
- ELECTRICAL SPECIFICATIONS
VOLTAGE RATING: 250V
CURRENT RATING: 4 AMPS
- PROTECTION: IP67 (WHEN MATED)
- DIMS SHOWN ARE FOR REFERENCE ONLY



REF. KNOCK-OUT HOLE



FINAL ASSEMBLY
1200700056 (SHOWN)

| | | | |
|------|-----------------|----------------|----------------|
| 8 | FLAG LABEL | VINYL | BLACK/YELLOW |
| 7 | PANEL NUT | STEEL | ZINC PLATED |
| 6 | WIRE, 22-1 | PVC INSULATED | SEE FACE VIEWS |
| 5 | O-RING (MATING) | VITON | RED |
| 4 | O-RING (PANEL) | NITRILE | BLACK |
| 3 | CONTACT SOCKET | Cu ALLOY | GOLD PLATED |
| 2 | INSERT, FEMALE | NYLON | BLACK |
| 1 | SHELL | SEE P/N LEGEND | SEE P/N LEGEND |
| ITEM | DESCRIPTION | MATERIAL | FINISH |

CABLE LENGTH TOLERANCES

| |
|--|
| <.3M [1FT]: +19mm-0 [+1.75in-0] |
| .3 - .9M [1 - 3FT]: +44.5mm-0 [+1.75in-0] |
| .9 - 1.8M [3 - 6FT]: +55.6mm-0 [+2.19in-0] |
| 1.8 - 3.7M [6 - 12FT]: +88.9mm-0 [+3.50in-0] |
| 3.7 - 7.3M [12 - 24FT]: +165.1mm-0 [+6.50in-0] |
| 7.3-14.6M [24 - 48FT]: +317.5mm-0 [+12.50in-0] |
| 14.6 - 30.5M [48-100FT]: +622.3mm-0 [+24.50in-0] |
| OVER 30M [100FT] +2% OF FINISHED LENGTH |

| FUNCTIONAL SYMBOLS | | | | | | | | | |
|--|---|---------------------------------------|--|---------|--|--|--|-----------------|--|
| FA=0 | THIS DRAWING CONTAINS INFORMATION THAT IS PROPRIETARY TO MOLEX ELECTRONIC TECHNOLOGIES, LLC AND SHOULD NOT BE USED WITHOUT WRITTEN PERMISSION | DIMENSION UNITS | | SCALE | | CURRENT REV DESC: ADD NEW PN, UPDATE LENGTH PER MANUFACTURING DOC, ADD TOL BLOCK | | | |
| FC=0 | | INCH/MM | | NTS | | | | | |
| FP=0 | | GENERAL TOLERANCES (UNLESS SPECIFIED) | | | | | | | |
| DIVISIONAL SYMBOLS | | mm | | INCH | | EC NO: 690994 | | | |
| | | 4 PLACES ±---- | | ±---- | | DRWN: CCHRSTKA 2022/01/05 | | | |
| | | 3 PLACES ±---- | | ±---- | | CHK'D: RSTONE 2022/01/07 | | | |
| | | 2 PLACES ±---- | | ±---- | | APPR: BWOODMAN 2022/01/07 | | | |
| | | 1 PLACE ±---- | | ±---- | | INITIAL REVISION: | | | |
| | | 0 PLACES ±---- | | ±---- | | DRWN: NKUMAR01 2009/08/27 | | | |
| | | ANGULAR TOL ± ---- ° | | ±---- | | APPR: JFMURPHY 2009/08/28 | | | |
| DRAFT WHERE APPLICABLE MUST REMAIN WITHIN DIMENSIONS | | THIRD ANGLE PROJECTION | | DRAWING | | SERIES | | DOCUMENT NUMBER | |
| | | C-SIZE | | 120070 | | MATERIAL NUMBER | | CUSTOMER | |
| | | | | | | SEE TABLE | | GENERAL MARKET | |
| | | | | | | | | SHEET NUMBER | |
| | | | | | | | | 1 OF 1 | |