

6

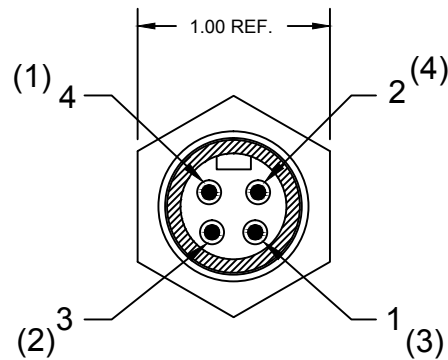
5

4

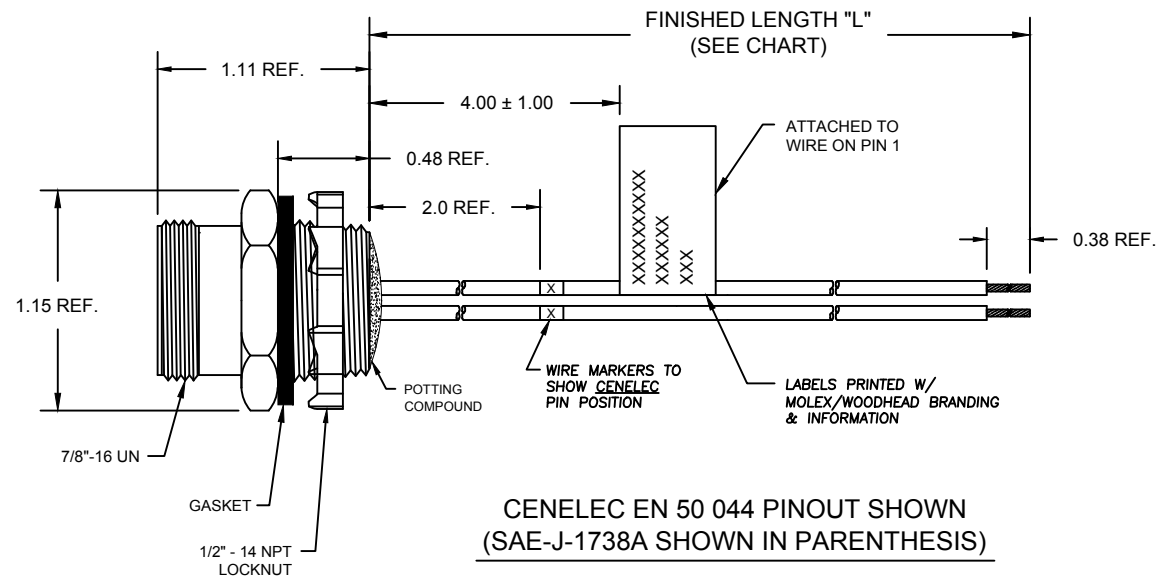
3

2

1



FACE VIEW - MALE

CENELEC EN 50 044 PINOUT SHOWN  
(SAE-J-1738A SHOWN IN PARENTHESIS)

1 (3)	BLUE
2 (4)	BLUE/YELLOW
3 (2)	WHITE/BLUE
4 (1)	BLUE/WHITE

**SPECIFICATIONS:**

SHELL MATERIAL: ZINC DIECAST W/ BLACK ELECTROPHORETIC COATING  
 CONTACT MATERIAL: GOLD/NICKEL OVER COPPER ALLOY  
 INSERT MATERIAL: YELLOW TPE  
 LOCKNUT: ZINC-PLATED STEEL  
 GASKET: BLACK NEOPRENE

WIRES: #16-1, PVC LEADS  
 ASSEMBLY RATING: 600V, 10A

ENVIRONMENTAL: -20°C TO 105°C  
 IP67 WHEN MATED

AGENCY APPROVALS: UL LISTED

MOLEX SAP P/N#	ENGINEERING P/N#	"L" (Meters)	"L" (INCH)	TOLERANCE (INCH)
1300131033	1R4006AA0M020D	2.0 M	78.74"	+3.50"/-0.00"
1300131035	1R4006AA0M040D	4.0 M	157.48"	+6.50"/-0.00"

CENELEC PINOUT EC NO: IFC2012-1061 6/14/12 DRWN: VOU CHKD: BWOODMAN APPR: JFMURPHY 2012/03/08	QUALITY SYMBOLS ▽=0 ▽C=0	GENERAL TOLERANCES (UNLESS SPECIFIED)		DIMENSION STYLE INCH		SCALE 1:1	DESIGN UNITS INCH	THIRD ANGLE PROJECTION	
		4 PLACES	±---	±---	DRAWN BY	DATE	TITLE <b>MINI-CHANGE RECEPTACLE          4P MR 1/2 NPT MOUNT          #16-1 PVC WIRES</b>		
		3 PLACES	±---	±.005	CHECKED BY	DATE			
		2 PLACES	±0.13	±.010	APPROVED BY	DATE	MOLEX INCORPORATED MATERIAL NO. SEE CHART DOCUMENT NO. SD-130013-029 SHEET NO. 1 OF 1		
1 PLACE	±0.25	±.020	JFMURPHY	2012/03/08					
		ANGULAR ±1/2°		DRAFT WHERE APPLICABLE MUST REMAIN WITHIN DIMENSIONS		THIS DRAWING CONTAINS INFORMATION THAT IS PROPRIETARY TO MOLEX INCORPORATED AND SHOULD NOT BE USED WITHOUT WRITTEN PERMISSION			

6

5

4

3

2

1