

NOTES:

1. ELECTRICAL:

- VOLTAGE RATING PER IEC 60664: 300V
- VOLTAGE RATING PER UL: 300V
- CURRENT: 8A

2. TEMP RATING: -25° TO +60°C

3. PROTECTION: IP67 (WHEN MATED)

4. COUPLING THREAD" 7/8-16

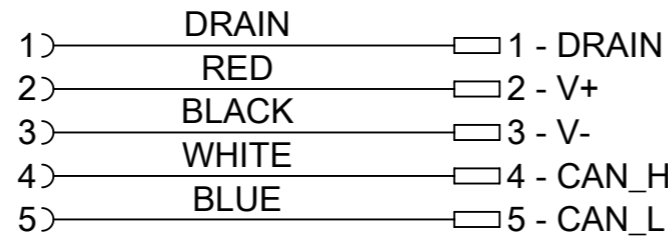
5. AGENCY:

- UL RECOGNIZED, FILE: E152210
- CSA CERTIFICATION FILE: LR6837

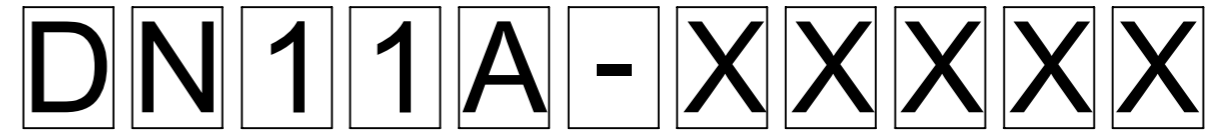
6 ALL DIMS ARE FOR REFERENCE UNLES NOTED OTHERWISE

7. PART NUMBERS WITH "H" HAVE TWO ID MARKERS ONE ON EACH END

WIRING DIAGRAM



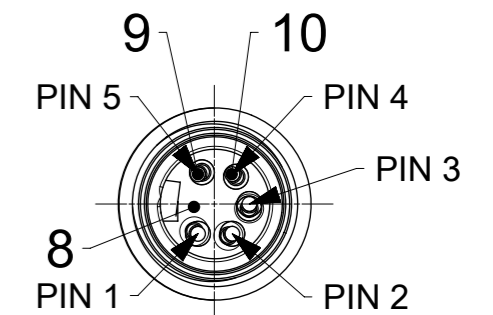
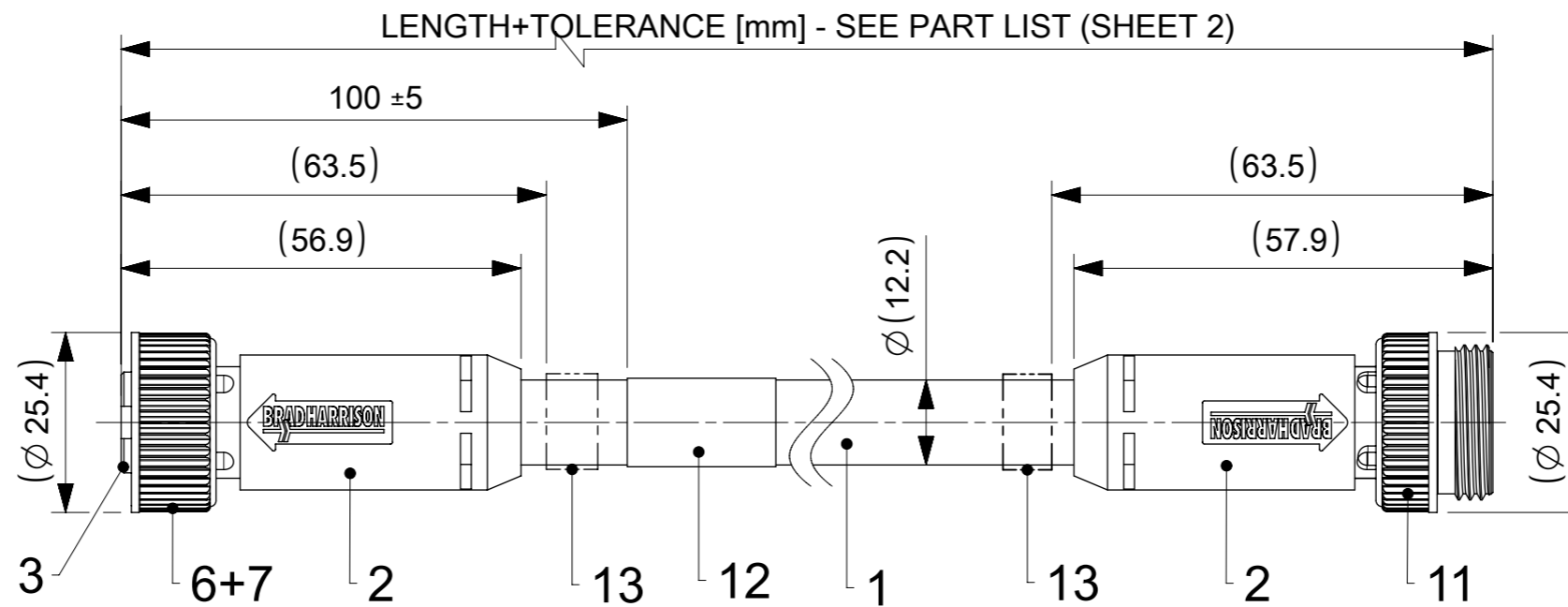
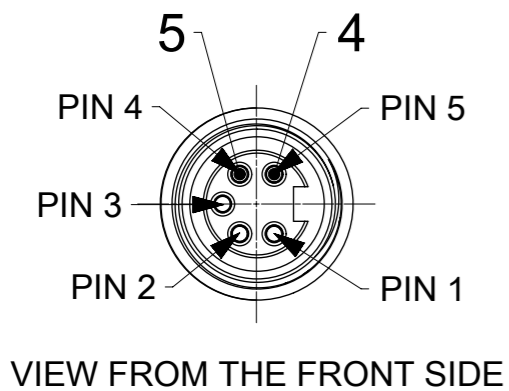
PART No. MATRIX



Units:
M = Meter
T = over
100 Meter

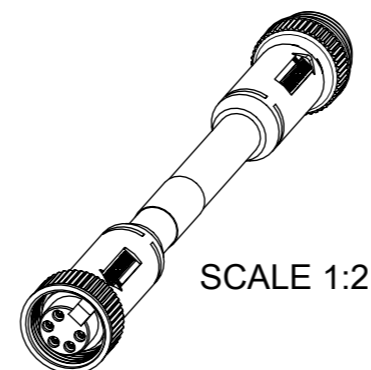
Length
Examples:
005 = 0.5 m
010 = 1 m
050 = 5 m
100 = 10 m
150 = 15 m

OPTIONAL:
H = ID CARRIER



BILL OF MATERIALS

ITEM	QTY	DESCRIPTION	MATERIAL	FINISH/COLOR
13	2	ID CARRIER	PVC	-
12	1	LABEL WRAP	VINYL	YELLOW
11	1	COUPLING NUT A-SIZE EXT.	ZINC	BLACK
10	2	PIN CONTACT 16 AWG	COPPER	GOLD OVER Ni-PLATED
9	3	PIN CONTACT 18 AWG	COPPER	GOLD OVER Ni-PLATED
8	1	HOUSING A-SIZE 5P MALE	ARNITEL	BLACK
7	1	FRICTION RING A-SIZE	NYLON	GRAY
6	1	MC COUPLING NUT A-SIZE	ZINC	BLACK
5	2	MC SOCKET SLEEVE ASSY 16 AWG	COPPER	GOLD OVER Ni-PLATED
4	3	MC SOCKET SLEEVE ASSY 18 AWG	COPPER	GOLD OVER Ni-PLATED
3	1	HOUSING A-SIZE 5P FEMALE	ARNITEL	BLACK
2	-	MOULDING MATERIAL	ARNITEL	BLACK
1	-	TRUNK CABLE 19X30 AWG OD=12	PVC	GRAY
ITEM	QTY	DESCRIPTION	MATERIAL	FINISH/COLOR



FUNCTIONAL SYMBOLS	THIS DRAWING CONTAINS INFORMATION THAT IS PROPRIETARY TO MOLEX ELECTRONIC TECHNOLOGIES, LLC AND SHOULD NOT BE USED WITHOUT WRITTEN PERMISSION		CURRENT REV DESC: PIN'S ADDED, NOTES UPDATED								
	$\nabla_A = 0$ $\nabla_E = 0$ $\nabla_V = 0$	DIMENSION UNITS: mm SCALE: 1:1	GENERAL TOLERANCES (UNLESS SPECIFIED) ANGULAR TOL ± 1.0° 4 PLACES ± 3 PLACES ± 2 PLACES ± 0.05 1 PLACE ± 0.3 0 PLACES ± 0.5			EC NO: 695738 DRWN: RSCHIEBER APPR: RSILLER INITIAL REVISION: DRWN: MKOWALCZYK01 APPR: MMATLA	2022/02/14 2022/02/15 2022/02/15 2018/09/07 2018/09/11				
DIVISIONAL SYMBOLS	DRAFT WHERE APPLICABLE MUST REMAIN WITHIN DIMENSIONS		THIRD ANGLE PROJECTION	DRAWING	SERIES	MATERIAL NUMBER	CUSTOMER	DOCUMENT NUMBER	DOC TYPE	DOC PART	REVISION
				A3-SIZE	130025	SEE SHEET 2	GENERAL MARKET	1300250051	PSD	000	B1
											SHEET NUMBER
											1 OF 2

