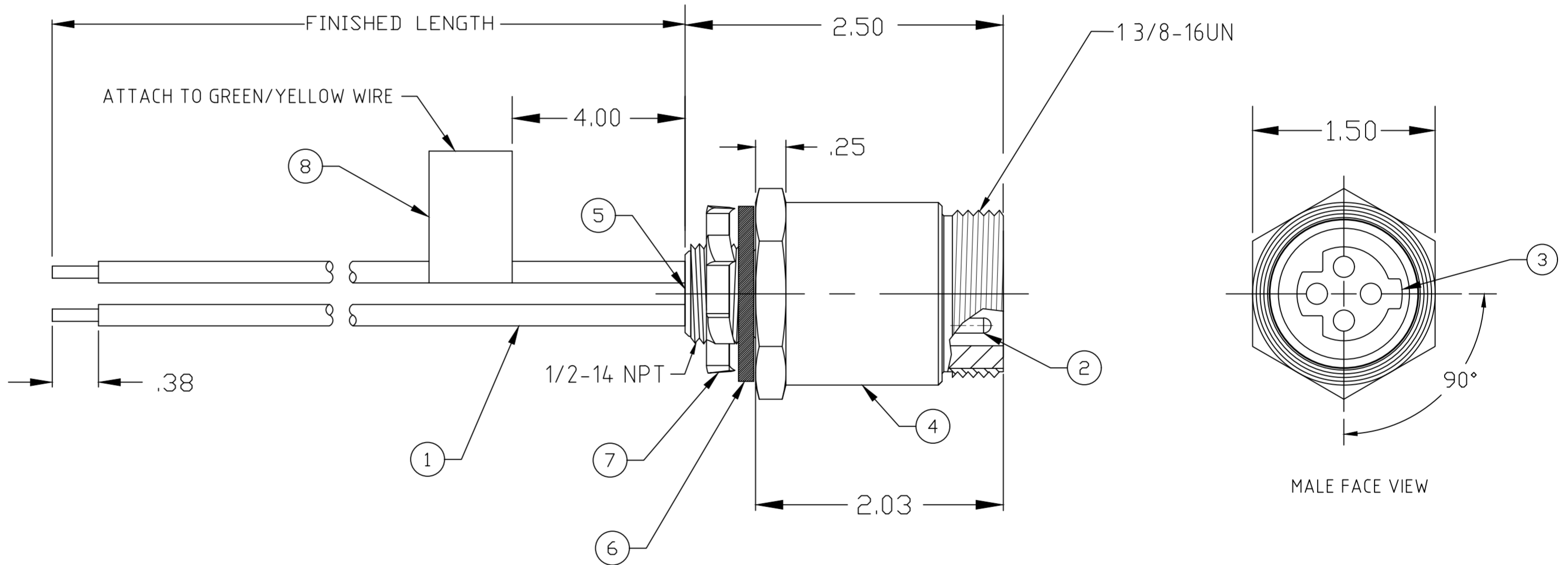


**CABLE LENGTH TOLERANCES**  
 >.3M [1FT]: +19mm-0 [+ .75in-0]  
 .3 - .9M [1 - 3FT]: +44.5mm-0 [+1.75in-0]  
 .9 - 1.8M [3 - 6FT]: +55.6mm-0 [+2.19in-0]  
 1.8 - 3.7M [6 - 12FT]: +88.9mm-0 [+3.50in-0]  
 3.7 - 7.3M [12 - 24FT]: +165.1mm-0 [+6.50in-0]  
 7.3-14.6M [24 - 48FT]: +317.5mm-0 [+12.50in-0]  
 14.6 - 30.5M [48-100FT]: +622.3mm-0 [+24.50in-0]  
 OVER 30M [100FT] +2% OF FINISHED LENGTH

PART NUMBER	ENGINEERING NUMBER	LENGTH
1300660021	CR3106A29M010	39.4 IN [1.0M]

**PART NUMBER MATRIX**  
 CR3106A29M010  
 POLE COUNT 3 AND 4  
 FINISHED LENGTH:  
 A120= 12 IN.  
 F020= 2 FEET  
 F100= 10 FEET  
 M005= 0.5 METER  
 M010= 1.0 METER  
 M100= 10.0 METER

- NOTES:**
1. MATERIAL: AS NOTED
  2. FINISH: AS NOTED
  3. ELECTRICAL:  
 VOLTAGE PER IEC 60664: 500V  
 600V PER UL 2237  
 CURRENT: 20A
  4. TEMP RATING: -20°C TO +90°C
  5. PROTECTION: IP67 (WHEN MATED)
  6. COUPLING THREAD: AS NOTED
  7. UL LISTED FILE: PENDING
  8. ALL DIMS ARE FOR REFERENCE UNLESS TOLERANCED OR NOTED OTHERWISE



8	FLAG LABEL	VINYL	YELLOW
7	LOCKNUT	STEEL	ZINC PLATE
6	GASKET	NEOPRENE	BLACK
5	POTTING MATERIAL	EPOXY	BLACK
4	RECEPTACLE SHELL	6061-T6 ALUMINUM	BLACK ANODIZED
3	MALE INSERT	TPE	BLACK
2	CONTACT PIN	COPPER ALLOY	GOLD PLATED
1	WIRE, 12 AWG UL 1015	PVC JACKET	SEE FACE VIEW
ITEM	DESCRIPTION	MATERIAL	FINISH

THIS DRAWING CONTAINS INFORMATION THAT IS PROPRIETARY TO MOLEX ELECTRONIC TECHNOLOGIES, LLC AND SHOULD NOT BE USED WITHOUT WRITTEN PERMISSION

<b>SYMBOLS</b>	DIMENSION UNITS: <b>HYBRID</b>	SCALE: <b>1:1</b>	CURRENT REV DESC: INITIAL RELEASE
▽ = 0	GENERAL TOLERANCES (UNLESS SPECIFIED)		<b>molex</b> BRAD POWER RECEPTACLE MALE, ALT KEY, 1/2 NPT, 12AWG PRODUCT CUSTOMER DRAWING
▽ = 0	mm	INCH	
▽ = 0	4 PLACES ±----	±----	
▽ = 0	3 PLACES ±----	±----	
▽ = 0	2 PLACES ±----	±----	
▽ = 0	1 PLACE ±----	±----	EC NO: 631946 DRWN: RSTONE 2020/03/17 CHK'D: MZIELINSKI 2020/04/03 APPR: BWOODMAN 2020/04/07
▽ = 0	0 PLACES ±----	±----	INITIAL REVISION: DRWN: RSTONE 2020/03/17 APPR: BWOODMAN 2020/09/05
▽ = 0	ANGULAR TOL ± ---- °	THIRD ANGLE PROJECTION	DOCUMENT NUMBER: <b>1300660021</b> DOC TYPE: PSD DOC PART: 000 REVISION: A
▽ = 0	DRAFT WHERE APPLICABLE MUST REMAIN WITHIN DIMENSIONS	DRAWING: C-SIZE	MATERIAL NUMBER: 130066 CUSTOMER: ---- SHEET NUMBER: 1 OF 1