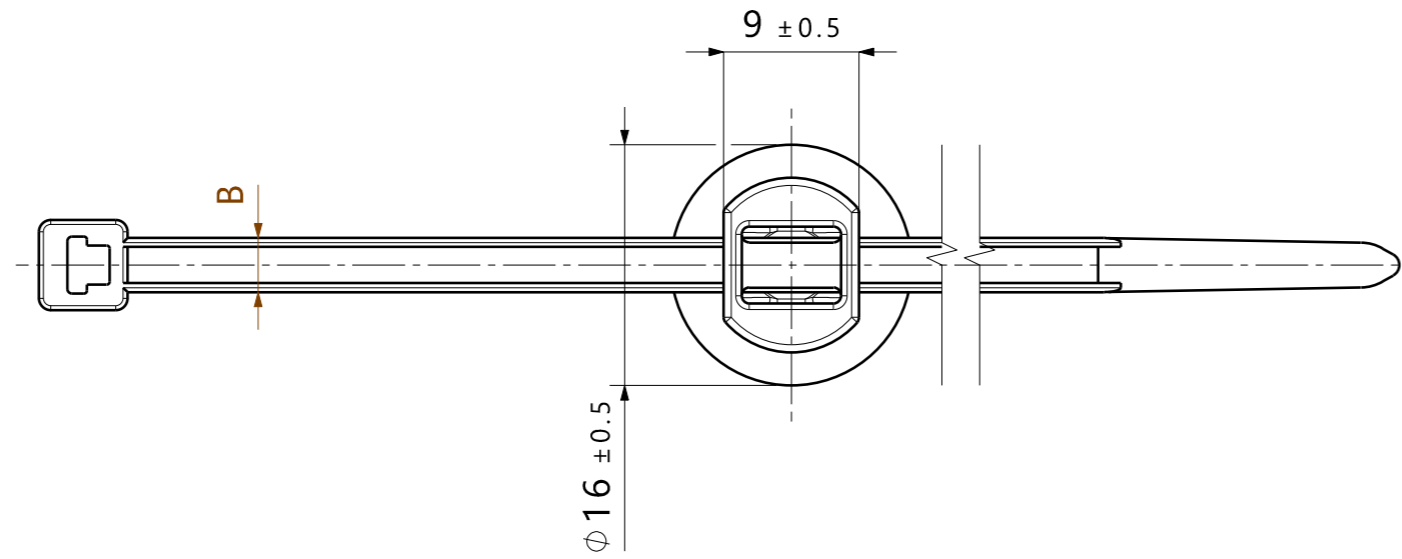
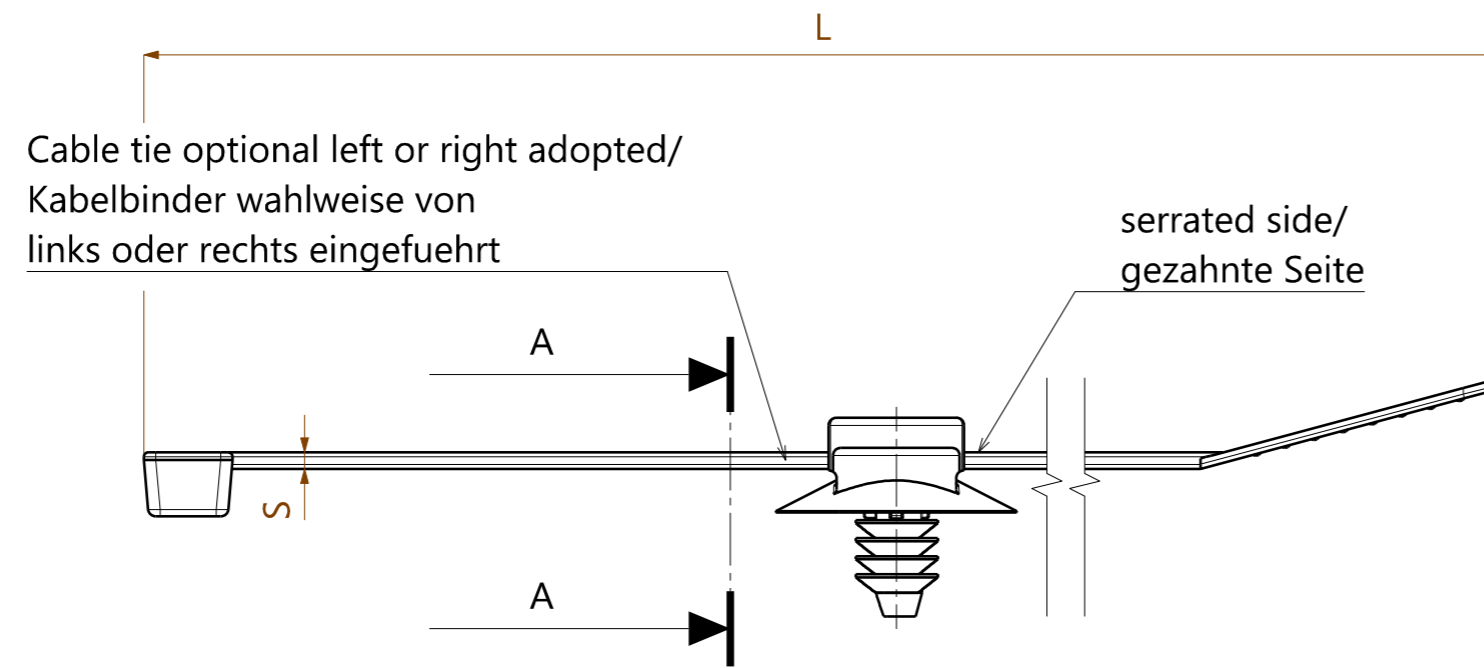
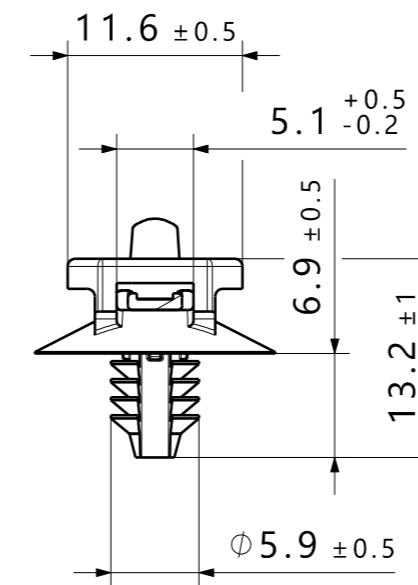


1:1



A-A



Specification:
- Performance requirements at equilibrium condition standard atmosphere 23 °C / 50% RH

- Material: PA4.6
- Hole size/ Loch Ø: 4.5 - 5.0 mm
- Panel thickness/ Blechdicke: 0.7 - 3.0 mm

The manufacturing-related geometry changes (injection point, ejectors marks, etc.) allowed. Design of the details are left to suppliers discretion.

Spezifikation:
- Leistungsanforderung im Gleichgewichtszustand Normalklima 23 °C / 50% RH

- Material: PA4.6
- Loch Ø: 4.5 - 5.0 mm
- Blechdicke: 0.7 - 3.0 mm

Durch das Herstellverfahren bedingte Geometriaenderungen (Anspritzung, Auswerfermarkierungen, etc.) zulaessig. Einzelheiten der Ausfuehrung bleiben dem Hersteller ueberlassen.

Printed copy for information only/
Ausdruck nur zur Information

Project no./ Projektnr.	NT 055-94		
GPN 10-0031			
GPN 12-0123			
Semi-finished part/ Halbfabrikat	FT5	T30R	T50R
a			
b			

Line/ Zeile	Product type/ Artikelbezeichnung	Project no./ Projektnr.	Length/ Laenge L	Strap width/ Bandbreite B	Thickness/ Dicke S	Bundle/ Buendel Ø max.	Tensile force/ Schlaufenhaltekraft N min.			
1	T30RFT5	NT 055-94	150 ± 10	3.5 ± 0.5	1.2 ± 0.2	34	135	X	X	
2	T50RFT5	NT 055-94	202 ± 6	4.6 ± 0.2	1.2 ± 0.3	45	225	X		X

Revision Level			Revision Record			The copyright of this drawing is reserved by HellermannTyton.	Drawn	Date (YYYY/MM/DD)	Title	Scale 2:1
Drawing	State	Part	Text "Cable tie optional left or right adopted" added				Suck	1999/08/11		
01.2	Design Release	3				Approved	Date (YYYY/MM/DD)	...FT5-PA46		Global Project Number see table
Changed	Date (YYYY/MM/DD)				All drawing revisions are stored in CAD PDM database		Juers	1999/08/11	Drawing-No 14.1417	Format A2
A.Hiller	2020/08/05									Sheet 1 / 1
Approved	Date (YYYY/MM/DD)									
B.Schiwek	2020/08/05									

HellemannTyton
www.HellemannTyton.com