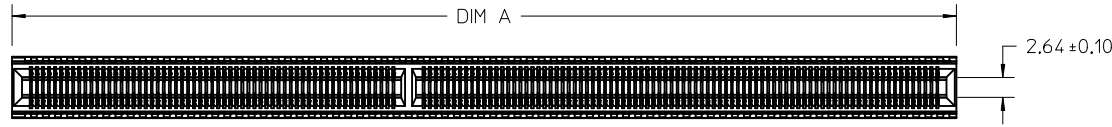
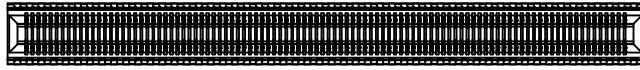


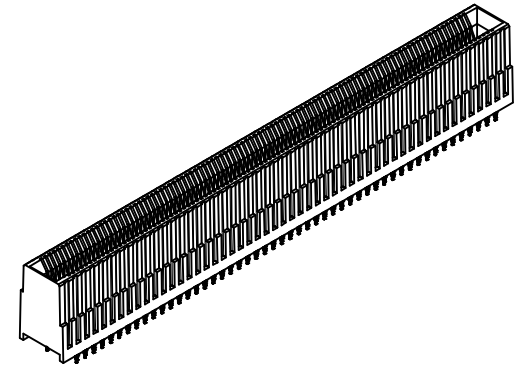
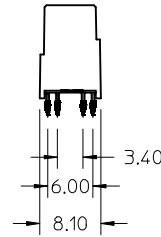
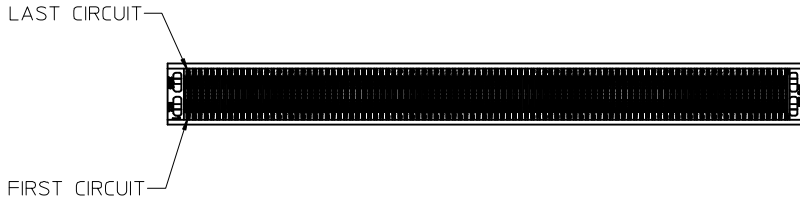
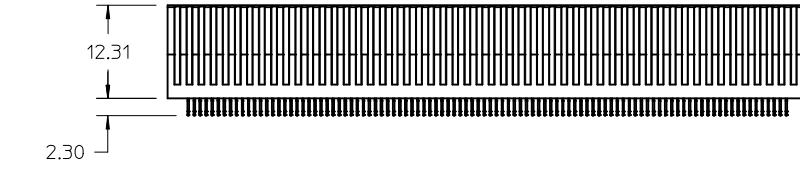
PART NUMBER	VERSION	BAY 1/BAY 2	TOTAL CIRCUITS	DIM A	SALES DRAWING (SEE NOTE 7)
170672-2294	2 BAY	122/172	294	125.03	SD-170672-2294
170672-2278	2 BAY	146/132	278	118.63	SD-170672-2278
170672-1200	1 BAY	200	200	84.20	SD-170672-1200
170672-1170	1 BAY	170	170	72.20	SD-170672-1170
170672-2108	2 BAY	86/22	108	50.6	SD-170672-2108



2 BAY EDGE LINE



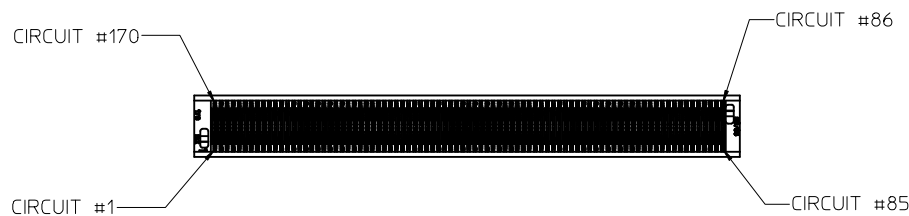
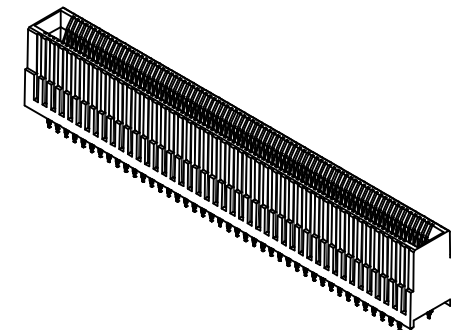
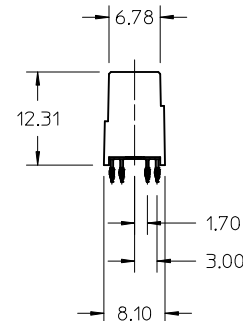
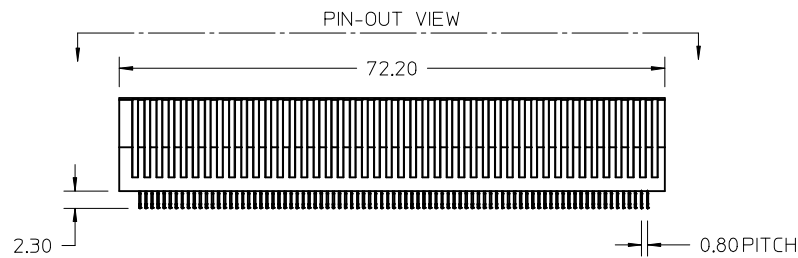
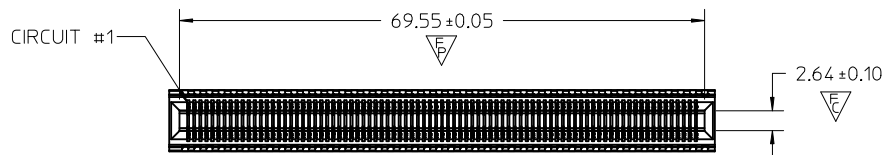
1 BAY EDGE LINE



NOTES:

- MATERIAL:
HOUSING - GLASS FILLED THERMOPLASTIC, 94-V0, BLACK
TERMINALS - COPPER ALLOY
- FINISH:
CONTACT AREA: HARD GOLD -0.76µm MIN OVER 3.80µ NICKEL
COMPLIANT AREA: TIN - 0.76/1.52µm OVER NICKEL
- REFER TO PS-75594-999 PRODUCT SPECIFICATION FOR ALL ELECTRICAL, MECHANICAL AND ENVIRONMENTAL SPECIFICATIONS.
- PROCESSING: PRESSFIT TO PC BOARD.
- MATING PC BOARD THICKNESS = 2.36±10% OVER CONTACT PADS.
- THIS PART CONFORMS TO CLASS B REQUIREMENTS OF COSMETIC SPEC PS-45499-002
- FOR EDGE CARD AND MOUNTING PCB LAYOUT DETAIL SEE CORRESPONDING SALES DRAWING.

CORRECT 10% TOLERANCE IEC NO: UCP2017-1945 DRW:MP0FF 2017/03/09 CHK:DMORGAN 2017/03/09 APPR:KLANG 2017/03/15	QUALITY SYMBOLS	GENERAL TOLERANCES (UNLESS SPECIFIED)		DIMENSION STYLE	SCALE	DESIGN UNITS	THIRD ANGLE PROJECTION	
	▽=0	mm	INCH	MM ONLY	2:1	METRIC	☉	
	▽=0	4 PLACES ± ---	± ---	DRAWN BY	DATE	TITLE		
	▽=0	3 PLACES ± ---	± ---	DROSCA	2010/07/01	EDGELINE 12.5GB 0.093" PCB 0.8MM PITCH		
REV	DESCRIPTION	2 PLACES ± ---	± ---	CHECKED BY	DATE	DOCUMENT NO.		
C1		1 PLACE ± ---	± ---	JCOMERCI	2011/03/28	molex		
		0 PLACE ±	±	APPROVED BY	DATE	SD-170672-0001		
		ANGULAR ±1/2°		JCOMERCI	2010/10/25	SHEET NO.		
		DRAFT WHERE APPLICABLE MUST REMAIN WITHIN DIMENSIONS		SEE TABLE		1 OF 1		
		THIS DRAWING CONTAINS INFORMATION THAT IS PROPRIETARY TO MOLEX INCORPORATED AND SHOULD NOT BE USED WITHOUT WRITTEN PERMISSION						

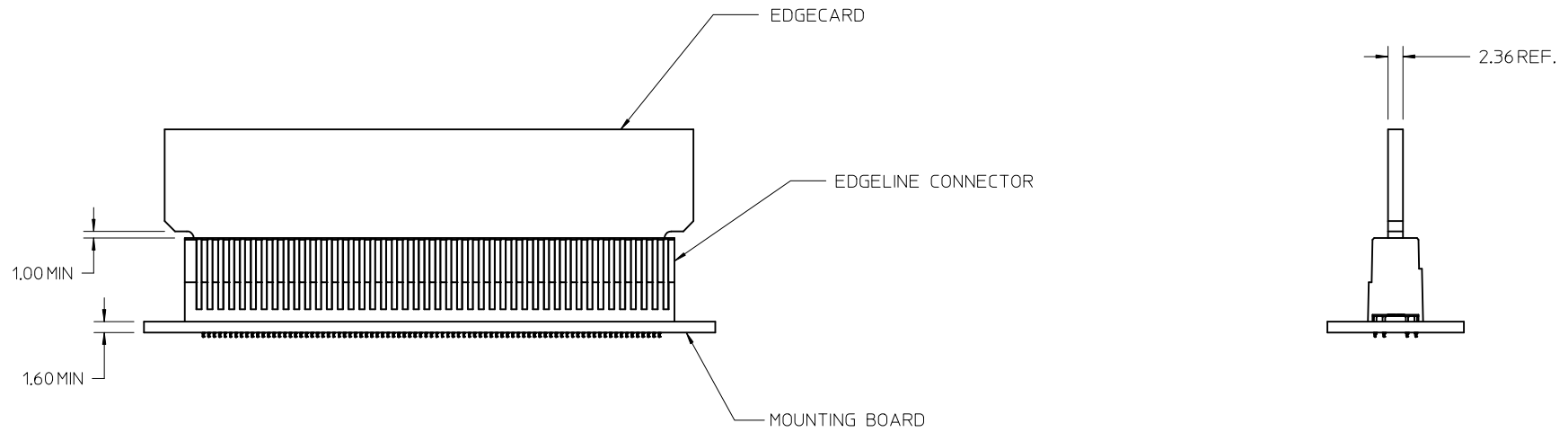


NOTES:

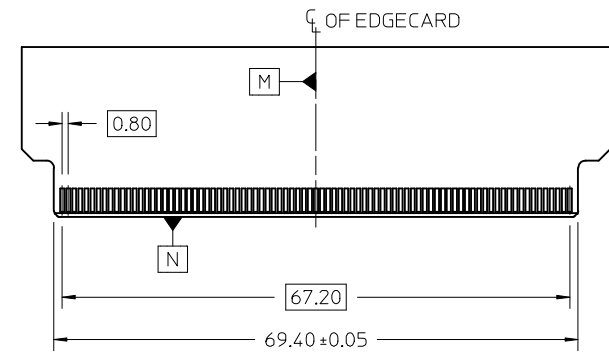
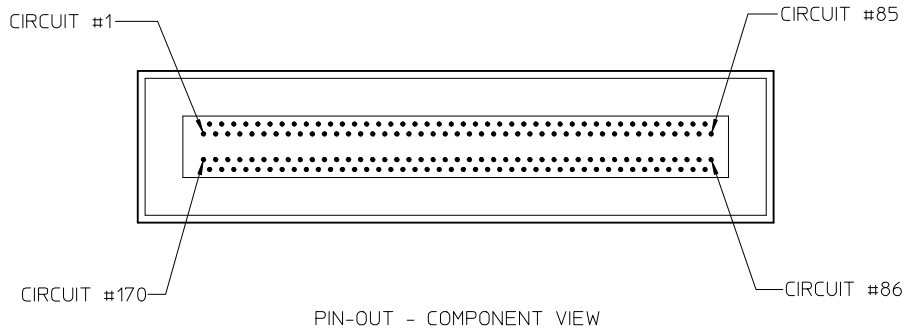
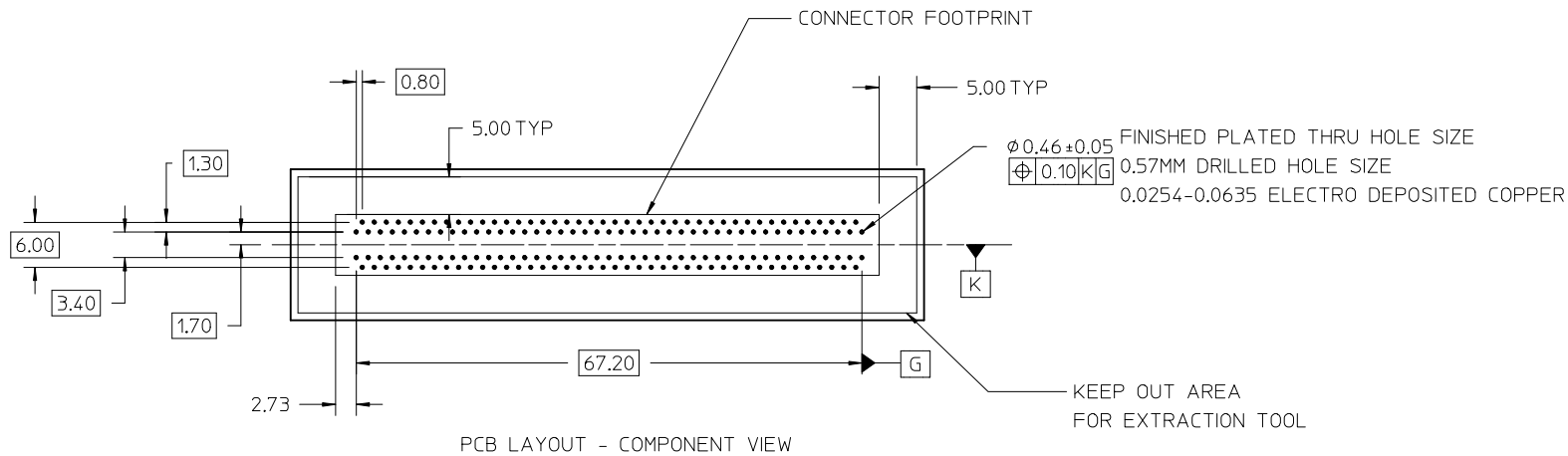
- MATERIAL:
HOUSING - GLASS FILLED THERMOPLASTIC, 94-V0, BLACK
TERMINALS - COPPER ALLOY
- FINISH:
CONTACT AREA: HARD GOLD -0.76μm MIN OVER 3.80μm NICKEL
COMPLIANT AREA: TIN - 0.76/1.52μm OVER NICKEL
- REFER TO PS-75594-999 PRODUCT SPECIFICATION FOR ALL ELECTRICAL, MECHANICAL AND ENVIRONMENTAL SPECIFICATIONS.
- REFER TO PK-76693-900 FOR ALL PACKAGING SPECIFICATIONS.
- PROCESSING: PRESSFIT TO PC BOARD.
- MATING PC BOARD THICKNESS = 2.36±10% OVER CONTACT PADS.
- THIS PART CONFORMS TO CLASS B REQUIREMENTS OF COSMETIC SPEC PS-45499-002

NOTE 6, SH 4 D6 WAS +/-0.10% EC NO: UCP2016-4930 DRWN:TPREMO 2016/06/29 CHKD: APPR:DMCGOWAN 2016/07/06	QUALITY SYMBOLS	GENERAL TOLERANCES (UNLESS SPECIFIED)		DIMENSION STYLE	SCALE	DESIGN UNITS	THIRD ANGLE PROJECTION	
	▽=0	mm	INCH	MM ONLY	2:1	METRIC	EDGELINE 12.5GB 170CKTS 0.093"PCB 0.8MM PITCH	
	▽=1	4 PLACES ± ---	± ---	DRAWN BY	DATE	molex DOCUMENT NO. SD-170672-1170 SHEET NO. 1 OF 4		
	▽=1	3 PLACES ± ---	± ---	JCOMERCI	2011/03/17			
REV	DESCRIPTION	DRAFT WHERE APPLICABLE MUST REMAIN WITHIN DIMENSIONS		APPROVED BY	DATE	THIS DRAWING CONTAINS INFORMATION THAT IS PROPRIETARY TO MOLEX INCORPORATED AND SHOULD NOT BE USED WITHOUT WRITTEN PERMISSION		
D1				JCOMERCI	2011/03/28			

EDGE LINE CONNECTOR BOARD MOUNTING

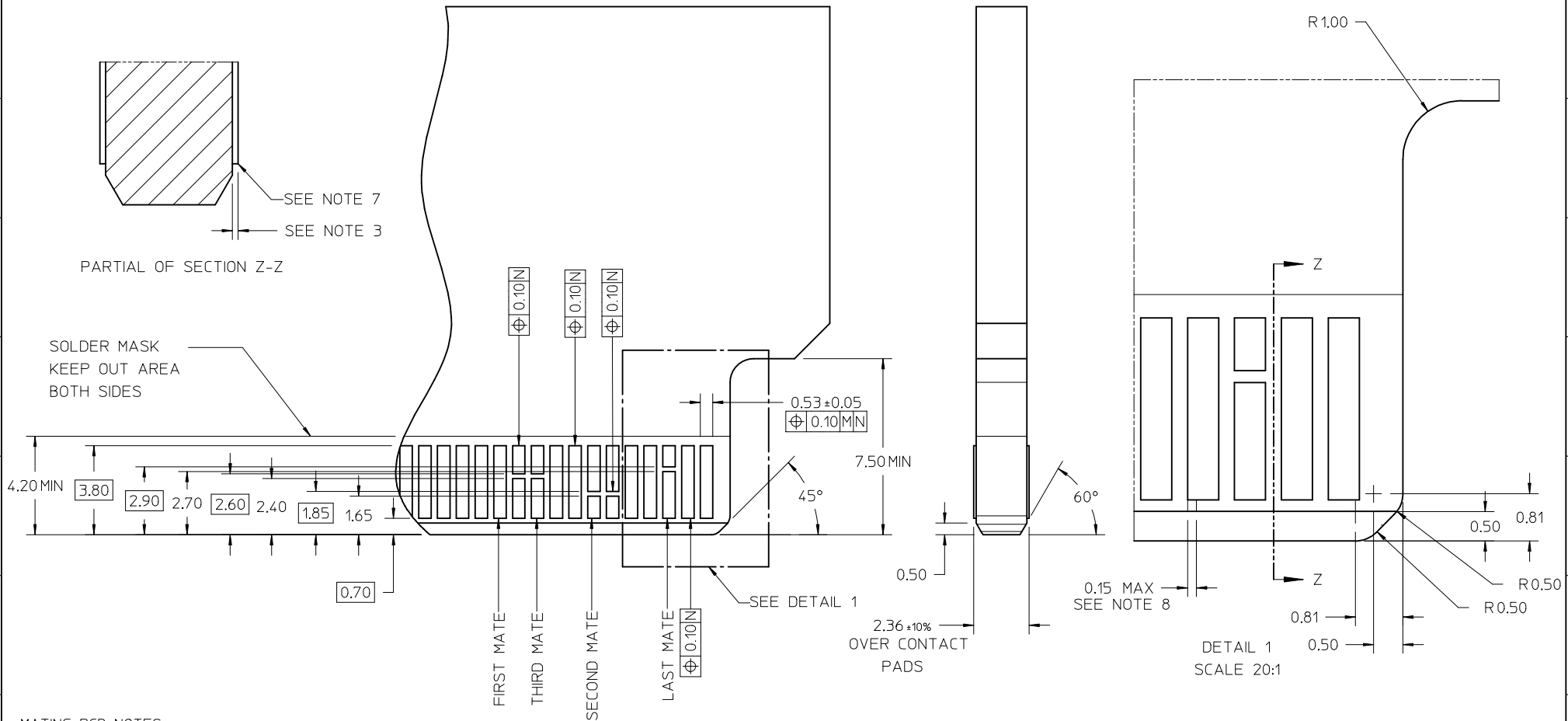


SEE SHEET 1 EC NO: UCP2016-4930 DRWN:TPREMO 2016/06/29 CHKD: APPR:DMCGOWAN 2016/07/06	QUALITY SYMBOLS		GENERAL TOLERANCES (UNLESS SPECIFIED)	DIMENSION STYLE MM ONLY	SCALE 2:1	DESIGN UNITS METRIC	THIRD ANGLE PROJECTION
	▽=0	▽=0	▽=0	mm INCH	DRAWN BY DROSCA	DATE 2011/03/17	TITLE EDGE LINE 12.5GB 170CKTS 0.093"PCB 0.8MM PITCH
	▽=0	▽=0	▽=0	4 PLACES ± --- ± ---	CHECKED BY JCOMERCI	DATE 2011/03/28	
	▽=0	▽=0	▽=0	3 PLACES ± --- ± ---	APPROVED BY JCOMERCI	DATE 2011/03/28	
▽=0	▽=0	▽=0	2 PLACES ± 0.15 ± ---	MATERIAL NO.	DOCUMENT NO.	SHEET NO. 2 OF 4	
D1	REVISION	DESCRIPTION	1 PLACE ± 0.25 ± ---	SEE SHEET 1		SD-170672-1170	
			0 PLACE ± ±	THIS DRAWING CONTAINS INFORMATION THAT IS PROPRIETARY TO MOLEX. INCORPORATED AND SHOULD NOT BE USED WITHOUT WRITTEN PERMISSION			
			ANGULAR ± 2 °				
			DRAFT WHERE APPLICABLE MUST REMAIN WITHIN DIMENSIONS				



SEE SHEET 1 EC NO: UCP2016-4930 DRWN:TPREMO 2016/06/29 CHKD: APPR:DMCGOWAN 2016/07/06	QUALITY SYMBOLS	GENERAL TOLERANCES (UNLESS SPECIFIED)	DIMENSION STYLE	SCALE	DESIGN UNITS	THIRD ANGLE PROJECTION
	▽=0	mm INCH	MM ONLY	2:1	METRIC	
	▽=0	4 PLACES ± --- ± ---	DRAWN BY DATE			EDGELINE 12.5GB 170CKTS
	▽=0	3 PLACES ± --- ± ---	CHECKED BY DATE			0.093"PCB 0.8MM PITCH
	▽=0	2 PLACES ± 0.15 ± ---	JCOMERC I 2011/03/28			molex
	1 PLACE ± 0.25 ± ---	APPROVED BY DATE			DOCUMENT NO.	SHEET NO.
	0 PLACE ± ±	JCOMERC I 2011/03/28			SD-170672-1170	3 OF 4
		ANGULAR ± 2 °	SEE SHEET 1			
		DRAFT WHERE APPLICABLE MUST REMAIN WITHIN DIMENSIONS	SIZE C	THIS DRAWING CONTAINS INFORMATION THAT IS PROPRIETARY TO MOLEX INCORPORATED AND SHOULD NOT BE USED WITHOUT WRITTEN PERMISSION		

MODULE EDGE CARD CONTACT DETAIL



MATING PCB NOTES:

- CONNECTOR LAND CONDITIONS SHALL MEET THE MOST CURRENT REVISION OF PCB SPECIFICATION IPC-6012C-2010 SECTION 3.5.4.4.
- DIMENSIONS APPLY TO LANDS ON BOTH SIDES OF THE BOARD.
- THE THICKNESS OF THE OUTER METAL LAYERS, INCLUDING FOIL, COPPER PLATING, AND THE PROTECTIVE SURFACE FINISH, SHALL BE 0.066mm MAX.
- CHAMFER ROUGHNESS NOT TO EXCEED 3.17 MICROMETERS.
- CHAMFER PROCESS SHALL NOT DAMAGE THE GOLD EDGE LANDS.
- EDGECARD CHAMFER NOT TO GO THRU GOLD LANDS.
- 0.03mm MAX PLATING OVERHANG ON ALL GOLD LAND EDGES.
- MOLEX RECOMMENDS NO TIE-BARS ON THE LEADING EDGE OF THE GOLD LAND. IF TIE-BARS ARE USED, THEY SHALL BE PLACED TO ONE SIDE OF THE GOLD LAND. APPLIES TO ALL GOLD LANDS.

SEE SHEET 1 EC NO: UCP2016-4930 DRWN:TPREMO 2016/06/29 CHKD: APPR:DMCGOWAN 2016/07/06	QUALITY SYMBOLS ∇=0 ∇=0 ∇=0	GENERAL TOLERANCES (UNLESS SPECIFIED)		DIMENSION STYLE MM ONLY		SCALE 8:1	DESIGN UNITS METRIC	THIRD ANGLE PROJECTION	
		4 PLACES ± --- ± --- 3 PLACES ± --- ± --- 2 PLACES ± 0.15 ± --- 1 PLACE ± 0.25 ± --- 0 PLACE ± ±	mm INCH DRAWN BY DATE DROSCA 2011/03/17 CHECKED BY DATE JCOMERC I 2011/03/28 APPROVED BY DATE JCOMERC I 2011/03/28	TITLE EDGELINE 12.5GB 170CKTS 0.093"PCB 0.8MM PITCH		MATERIAL NO. SEE SHEET 1		DOCUMENT NO. SD-170672-1170	
DRAFT WHERE APPLICABLE MUST REMAIN WITHIN DIMENSIONS		THIS DRAWING CONTAINS INFORMATION THAT IS PROPRIETARY TO MOLEX INCORPORATED AND SHOULD NOT BE USED WITHOUT WRITTEN PERMISSION							