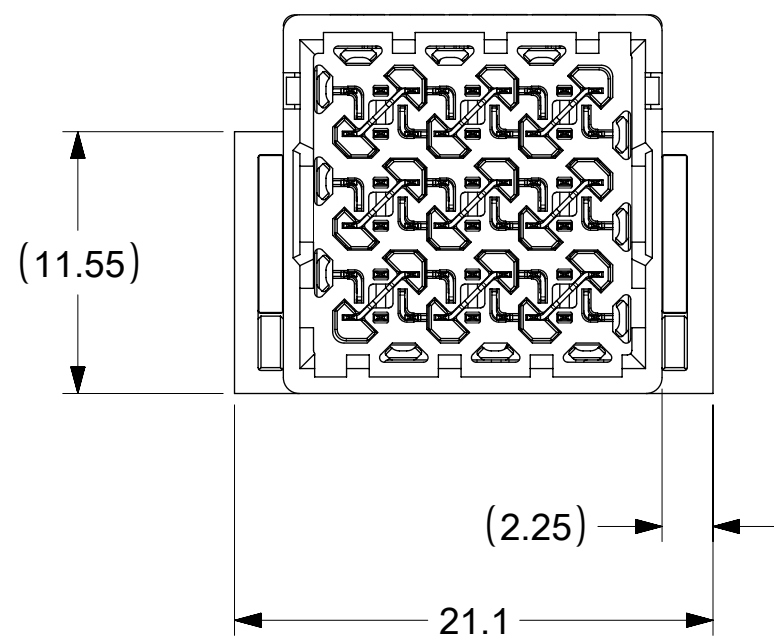
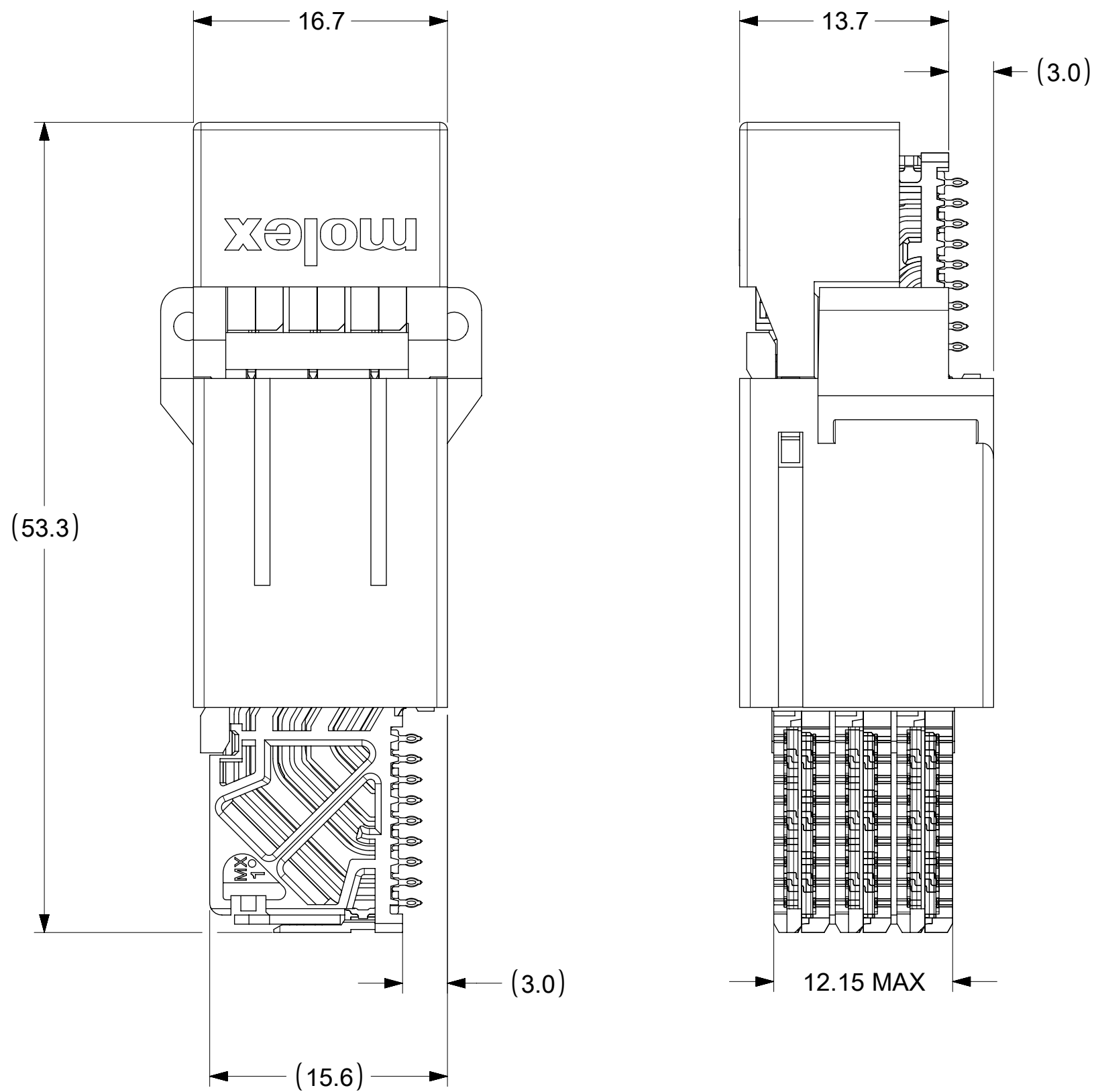


## OD-RAM HOLE PATTERN (CONNECTOR SIDE)



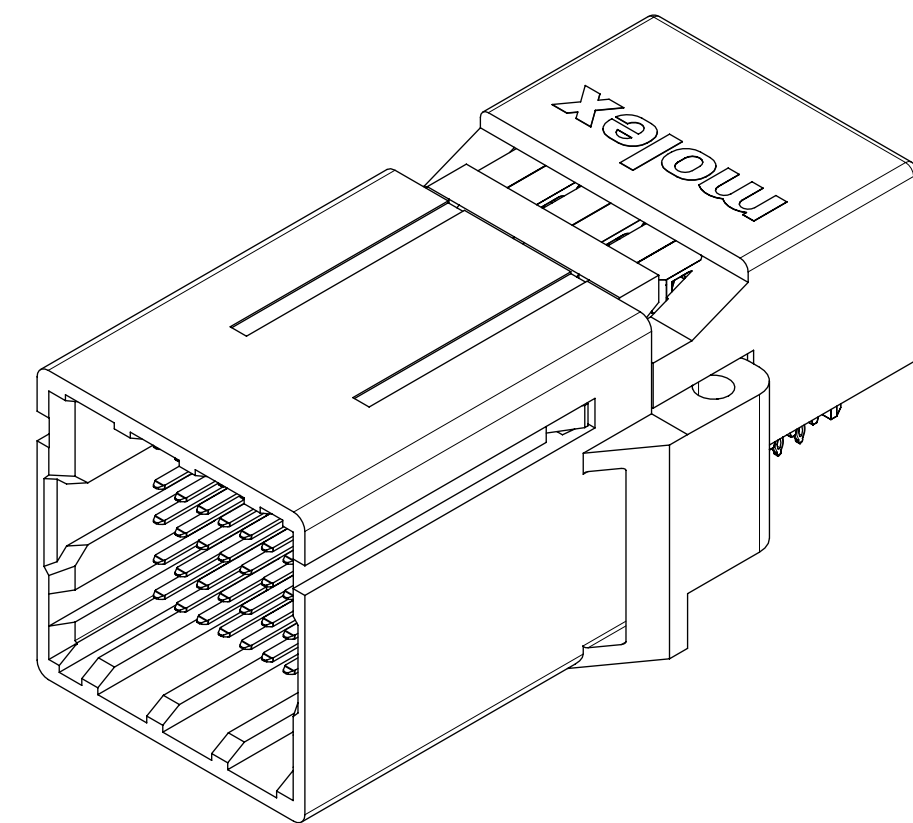
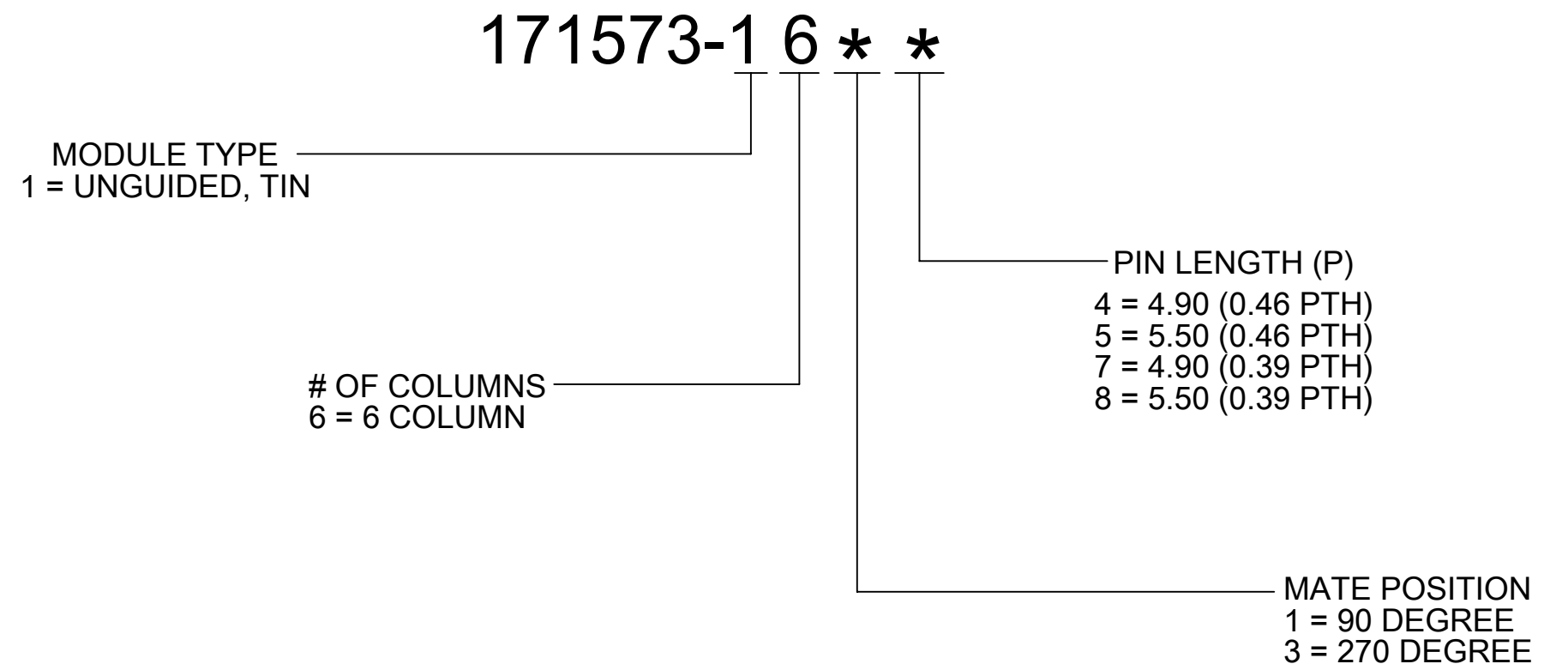
FUNCTIONAL SYMBOLS	THIS DRAWING CONTAINS INFORMATION THAT IS PROPRIETARY TO MOLEX ELECTRONIC TECHNOLOGIES, LLC AND SHOULD NOT BE USED WITHOUT WRITTEN PERMISSION		CURRENT REV DESC: MIGRATED TO NX						
	DIMENSION UNITS	SCALE	EC NO: 705090						
FA = 0	mm	NTS	DRWN: ABN 2018/08/29		<b>IMPACT ORTHOGONAL DIRECT</b> <b>3 PAIR RAM 90 &amp; 270 ASSY UNGUIDED SALES</b> <b>DRAWING</b>				
FC = 0	GENERAL TOLERANCES (UNLESS SPECIFIED)		CHK'D: DYARAS 2022/03/07						
FD = 0	ANGULAR TOL ± 0.5°		APPR: LZENG 2022/05/13		<b>PRODUCT CUSTOMER DRAWING</b>				
DIVISIONAL SYMBOLS			INITIAL REVISION:						
4 PLACES ±			DRWN: JMENDOZA 2012/08/20		DOCUMENT NUMBER		DOC TYPE	DOC PART	REVISION
3 PLACES ±			APPR: JMENDOZA 2012/08/21		SD-171573-0001		PSD	001	C1
2 PLACES ± 0.13			DRAFT WHERE APPLICABLE MUST REMAIN WITHIN DIMENSIONS		MATERIAL NUMBER		CUSTOMER		SHEET NUMBER
1 PLACE ± 0.25			THIRD ANGLE PROJECTION		SEE TABLE		GENERAL MARKET		1 OF 4
0 PLACES ±			DRAWING C-SIZE		SERIES 171573				



## MATED DIMENSIONS (POSITION 90° SHOWN)

### NOTES:

- MATERIALS: HOUSING - LIQUID CRYSTAL POLYMER (LCP)  
GLASS-FILLED, UL94V-0  
TERMINALS - HIGH PERFORMANCE COPPER ALLOY
- FINISH: 30μ MIN GOLD IN CONTACT AREA.  
SELECTIVE TIN ON PCB TAILS.  
NICKEL OVERALL.
- REFER TO MOLEX PRODUCT SPECIFICATION PS-76060-999 FOR PERFORMANCE SPECIFICATIONS AND ADDITIONAL PCB INFORMATION.
- THIS PART CONFORMS TO CLASS B REQUIREMENTS OF COSMETIC SPEC PS-45499-002.
- PACKAGE PER: PK-70873-8018.
- SEE SHEETS 3 FOR ORTHOGONAL PIN MAPPING.
- REFER TO MOLEX SALES DRAWINGS SD-76860-001 FOR THE MATING RECEPTACLES.
- REFER TO MOLEX ROUTING GUIDE AS-76850-990 FOR ADDITIONAL PCB LAYOUT AND ROUTING RECOMMENDATIONS.
- CONNECTORS ARE SUPPLIED WITH TWO 2-32 THREAD FORMING SCREWS.
- THESE DIMENSIONS REPRESENT THE AREA NEEDED TO ACCOMODATE CONNECTOR INSERTION AND REPAIR ON THE PC BOARD. THIS IS REFERRED TO AS THE "CONNECTOR KEEP OUT ZONE" AND DOES NOT REPRESENT THE ACTUAL PERIMETER OF THE CONNECTOR.
- MARKING: LOCATED APPROXIMATELY AS SHOWN, ON BOTTOM OR TOP HOUSING. PART NUMBER AND DATE CODE.

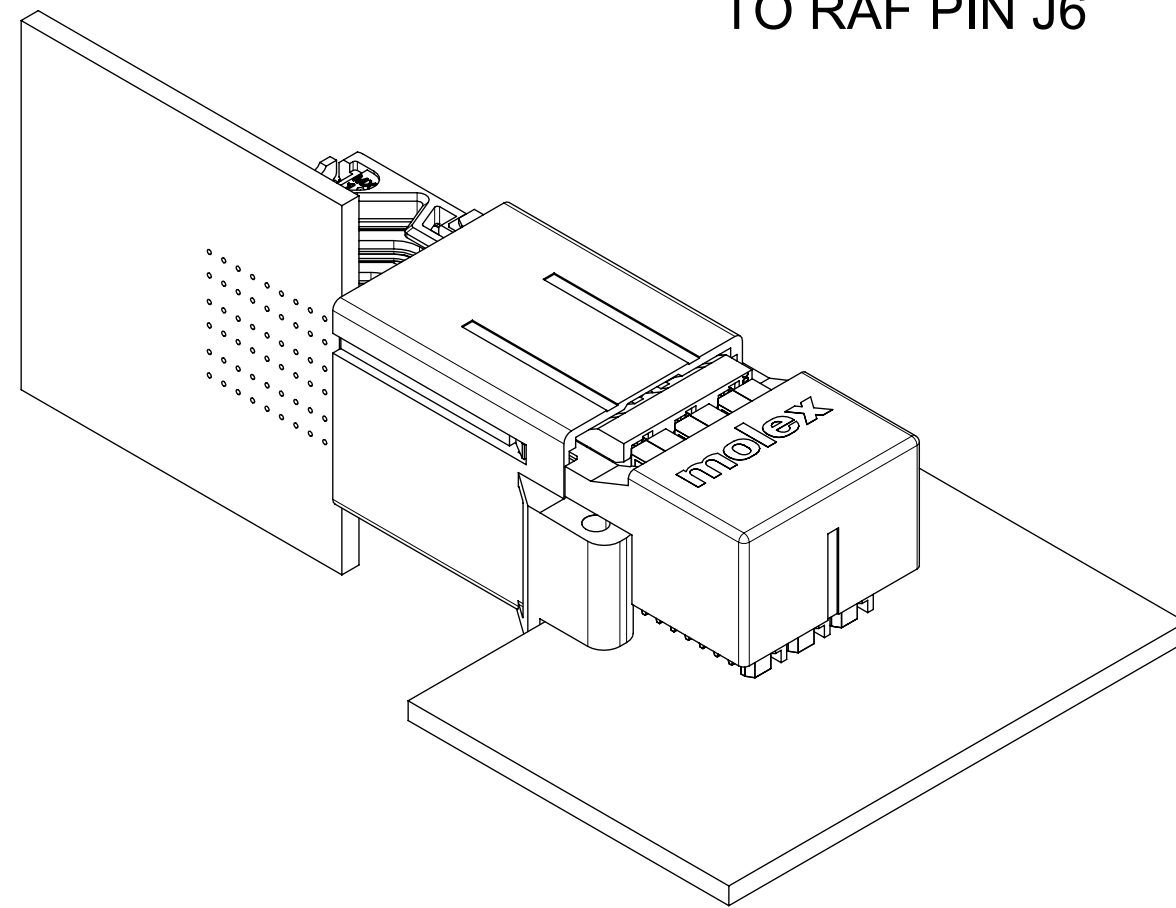


### UNGUIDED OD-RAM

FUNCTIONAL SYMBOLS	THIS DRAWING CONTAINS INFORMATION THAT IS PROPRIETARY TO MOLEX ELECTRONIC TECHNOLOGIES, LLC AND SHOULD NOT BE USED WITHOUT WRITTEN PERMISSION										
	DIMENSION UNITS	SCALE	CURRENT REV DESC: MIGRATED TO NX								
$\nabla_A = 0$	mm	NTS	EC NO: 705090							IMPACT ORTHOGONAL DIRECT	
$\nabla_C = 0$	GENERAL TOLERANCES (UNLESS SPECIFIED)		DRWN: ABN 2018/08/29							3 PAIR RAM 90 & 270 ASSY UNGUIDED SALES DRAWING	
$\nabla_P = 0$	ANGULAR TOL $\pm 0.5^\circ$		CHK'D: DYARAS 2022/03/07							PRODUCT CUSTOMER DRAWING	
DIVISIONAL SYMBOLS	4 PLACES	$\pm$	APPR: LZENG 2022/05/13							DOCUMENT NUMBER	
	3 PLACES	$\pm$	INITIAL REVISION:							DOC TYPE	
	2 PLACES	$\pm 0.13$	DRWN: JMENDOZA 2012/08/20							DOC PART	
1 PLACE	$\pm 0.25$	APPR: JMENDOZA 2012/08/21							REVISION		
0 PLACES	$\pm$	DRAFT WHERE APPLICABLE MUST REMAIN WITHIN DIMENSIONS							SD-171573-0001		
THIRD ANGLE PROJECTION			DRAWING		SERIES		MATERIAL NUMBER		CUSTOMER		
			C-SIZE		171573		SEE TABLE		GENERAL MARKET		
							SHEET NUMBER		2 OF 4		

DOCUMENT STATUS	P1	RELEASE DATE	2022/05/13	03:05:08
-----------------	----	--------------	------------	----------

**ORTHO POSITION 90°**  
**OD-RAM PIN A1 MAPS**  
**TO RAF PIN J6**



ORTHO PIN MAPPING					
OPTION 90 (NEARSIDE - FAR SIDE)					
<b>A1-J6</b>	A2-H6	<b>A3-F6</b>	A4-E6	<b>A5-C6</b>	A6-B6
B1-J5	B2-G6	B3-F5	B4-D6	B5-C5	B6-A6
C1-H5	<b>C2-G5</b>	C3-E5	<b>C4-D5</b>	C5-B5	<b>C6-A5</b>
<b>D1-J4</b>	D2-H4	<b>D3-F4</b>	D4-E4	<b>D5-C4</b>	D6-B4
E1-J3	E2-G4	E3-F3	E4-D4	E5-C3	E6-A4
F1-H3	<b>F2-G3</b>	F3-E3	<b>F4-D3</b>	F5-B3	<b>F6-A3</b>
<b>G1-J2</b>	G2-H2	<b>G3-F2</b>	G4-E2	<b>G5-C2</b>	G6-B2
H1-J1	H2-G2	H3-F1	H4-D2	H5-C1	H6-A2
J1-H1	<b>J2-G1</b>	J3-E1	<b>J4-D1</b>	J5-B1	<b>J6-A1</b>

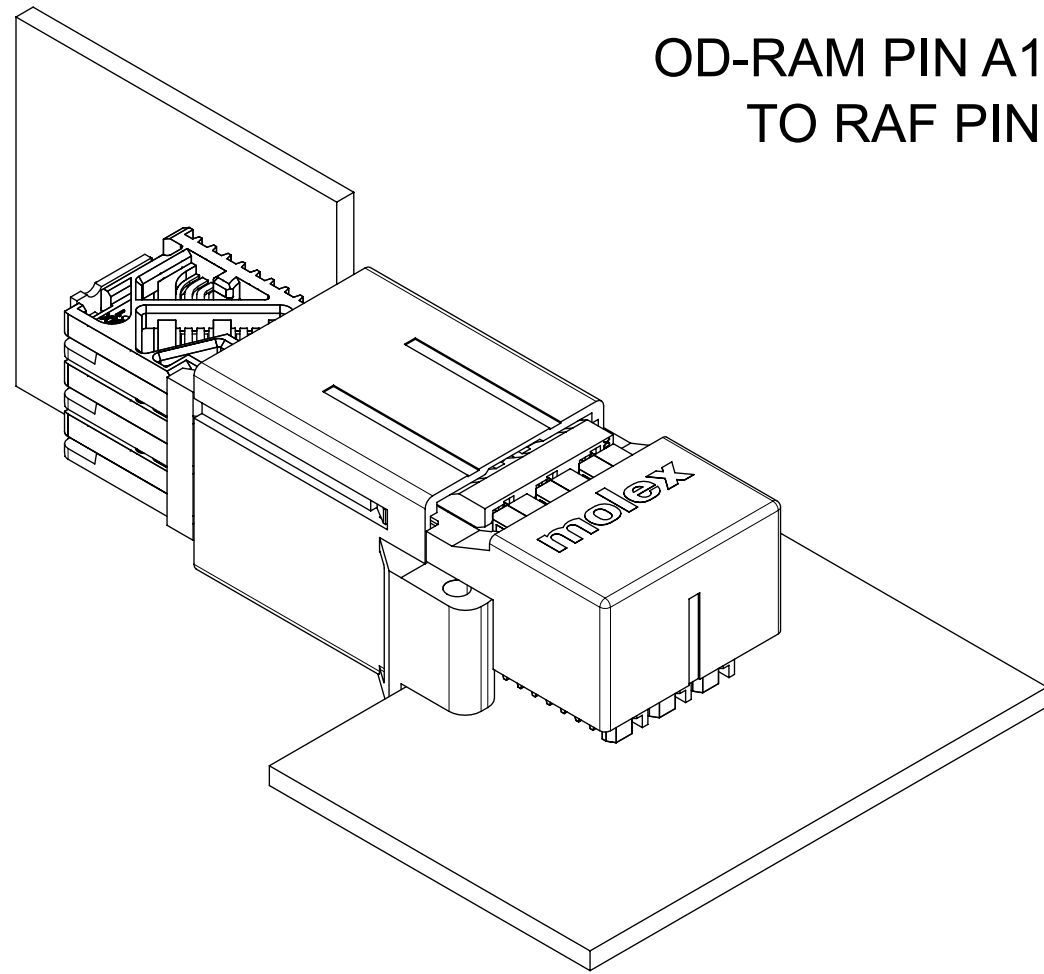
NOTE: PINOUTS SHOWN IN BALLOONS ARE GROUNDS.  
 GROUND PATHS ARE NOT DISCRETE CIRCUITS.

MATERIAL NUMBER	# OF COLUMNS	# OF DIFF PAIR	MATE POSITION	DIM P	PTH Ø
171573-1614	6	18	90	4.90	0.46±0.05
171573-1615	6	18	90	5.50	0.46±0.05
171573-1617	6	18	90	4.90	0.39±0.05
171573-1618	6	18	90	5.50	0.39±0.05

<b>FUNCTIONAL SYMBOLS</b> $\nabla_A = 0$ $\nabla_C = 0$ $\nabla_P = 0$ <b>DIVISIONAL SYMBOLS</b>	THIS DRAWING CONTAINS INFORMATION THAT IS PROPRIETARY TO MOLEX ELECTRONIC TECHNOLOGIES, LLC AND SHOULD NOT BE USED WITHOUT WRITTEN PERMISSION		CURRENT REV DESC: MIGRATED TO NX		<p>IMPACT ORTHOGONAL DIRECT                  3 PAIR RAM 90 &amp; 270 ASSY UNGUIDED SALES                  DRAWING</p> <p>PRODUCT CUSTOMER DRAWING</p>			
	DIMENSION UNITS	SCALE	EC NO: 705090					
	mm	NTS	DRWN: ABN 2018/08/29					
	GENERAL TOLERANCES (UNLESS SPECIFIED)		CHK'D: DYARAS 2022/03/07					
ANGULAR TOL ± 0.5°		APPR: LZENG 2022/05/13		DOCUMENT NUMBER	DOC TYPE	DOC PART	REVISION	
4 PLACES ±		INITIAL REVISION:		SD-171573-0001		PSD	001	C1
3 PLACES ±		DRWN: JMENDOZA 2012/08/20		MATERIAL NUMBER		CUSTOMER		SHEET NUMBER
2 PLACES ± 0.13		APPR: JMENDOZA 2012/08/21		SEE TABLE		GENERAL MARKET		3 OF 4
1 PLACE ± 0.25		THIRD ANGLE PROJECTION		DRAWING		SERIES		
0 PLACES ±		DRAFT WHERE APPLICABLE MUST REMAIN WITHIN DIMENSIONS		C-SIZE		171573		

# ORTHO POSITION 270°

OD-RAM PIN A1 MAPS TO RAF PIN A1



ORTHO PIN MAPPING					
OPTION 270 (NEARSIDE - FAR SIDE)					
A1-A1	A2-B1	A3-D1	A4-E1	A5-G1	A6-H1
B1-A2	B2-C1	B3-D2	B4-F1	B5-G2	B6-J1
C1-B2	C2-C2	C3-E2	C4-F2	C5-H2	C6-J2
D1-A3	D2-B3	D3-D3	D4-E3	D5-G3	D6-H3
E1-A4	E2-C3	E3-D4	E4-F3	E5-G4	E6-J3
F1-B4	F2-C4	F3-E4	F4-F4	F5-H4	F6-J4
G1-A5	G2-B5	G3-D5	G4-E5	G5-G5	G6-H5
H1-A6	H2-C5	H3-D6	H4-F5	H5-G6	H6-J5
J1-B6	J2-C6	J3-E6	J4-F6	J5-H6	J6-J6

NOTE: PINOUTS SHOWN IN BALLOONS ARE GROUNDS.  
GROUND PATHS ARE NOT DISCRETE CIRCUITS.

MATERIAL NUMBER	# OF COLUMNS	# OF DIFF PAIR	MATE POSITION	DIM P	PTH Ø
171573-1634	6	18	270	4.90	0.46±0.05
171573-1635	6	18	270	5.50	0.46±0.05
171573-1637	6	18	270	4.90	0.39±0.05
171573-1638	6	18	270	5.50	0.39±0.05

<b>FUNCTIONAL SYMBOLS</b> FA = 0 EC = 0 EP = 0 <b>DIVISIONAL SYMBOLS</b> 4 PLACES ± 3 PLACES ± 2 PLACES ± 0.13 1 PLACE ± 0.25 0 PLACES ± DRAFT WHERE APPLICABLE MUST REMAIN WITHIN DIMENSIONS	THIS DRAWING CONTAINS INFORMATION THAT IS PROPRIETARY TO MOLEX ELECTRONIC TECHNOLOGIES, LLC AND SHOULD NOT BE USED WITHOUT WRITTEN PERMISSION DIMENSION UNITS: <b>mm</b> SCALE: <b>NTS</b>		CURRENT REV DESC: MIGRATED TO NX EC NO: 705090 DRWN: ABN 2018/08/29 CHK'D: DYARAS 2022/03/07 APPR: LZENG 2022/05/13					
	GENERAL TOLERANCES (UNLESS SPECIFIED) ANGULAR TOL ± 0.5°		INITIAL REVISION: DRWN: JMENDOZA 2012/08/20 APPR: JMENDOZA 2012/08/21					IMPACT ORTHOGONAL DIRECT 3 PAIR RAM 90 & 270 ASSY UNGUIDED SALES DRAWING
					PRODUCT CUSTOMER DRAWING			
					DOCUMENT NUMBER <b>SD-171573-0001</b>	DOC TYPE PSD	DOC PART 001	REVISION C1
		THIRD ANGLE PROJECTION 		DRAWING <b>C-SIZE</b>	SERIES <b>171573</b>	MATERIAL NUMBER SEE TABLE	CUSTOMER GENERAL MARKET	SHEET NUMBER 4 OF 4