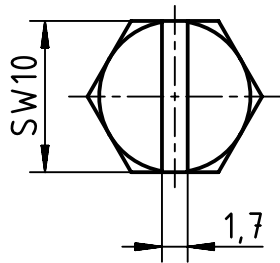
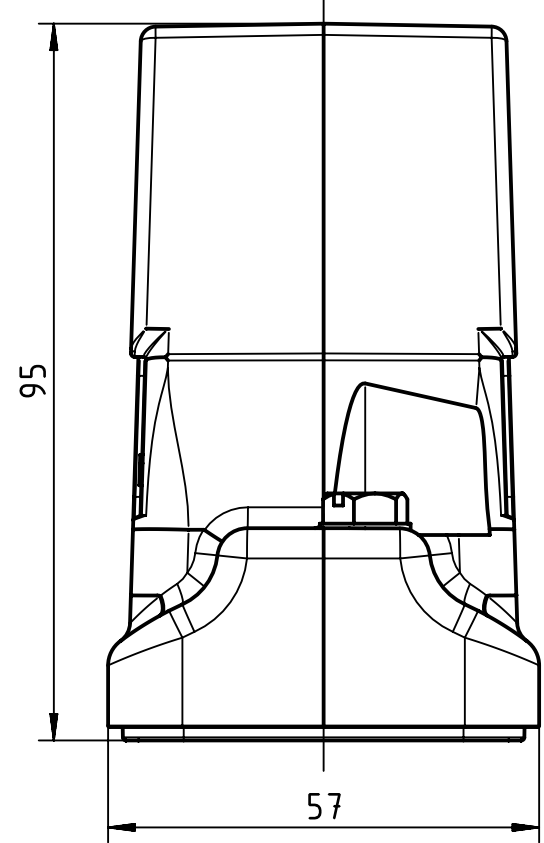
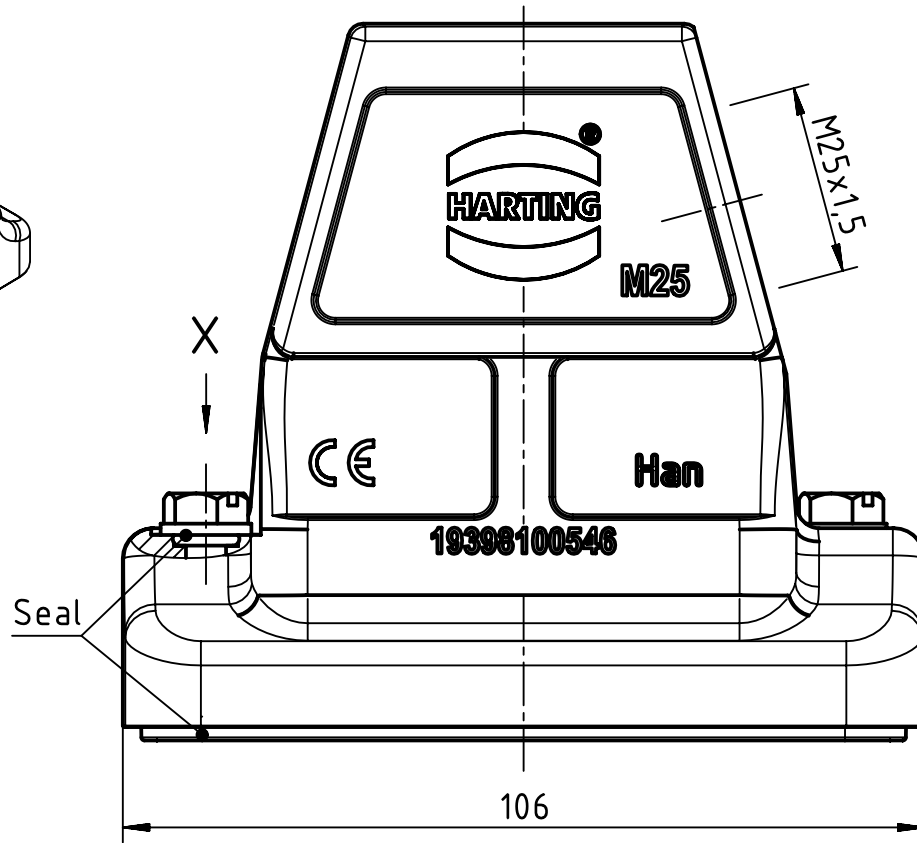
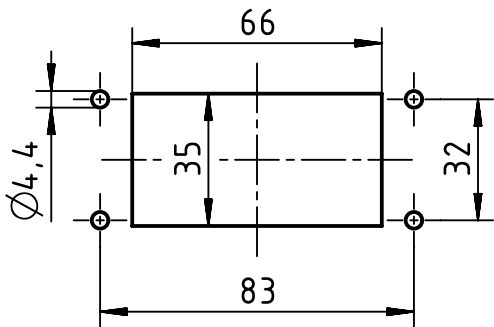


X (2:1)



Panel cut out (1:2)



	All rights reserved Department EL PD	All Dimensions in mm Original Size DIN A4		Scale 1:1	Free size tol.	Ref. Sub.
		HARTING (Zhuhai) Manufacturing Co., Ltd. 519085 Zhuhai, China	Created by ZHUANGJ	Inspected by LUOK	Standardisation 302077	Date 2021-02-23
Title Han 10HP Direct/EMV-HSE-M25						Doc-Key / ECM-Nr. 100665293/UGD/003/F 500000187461
Type TB				Number 19 39 810 0546		Rev. F
						Page 1/1