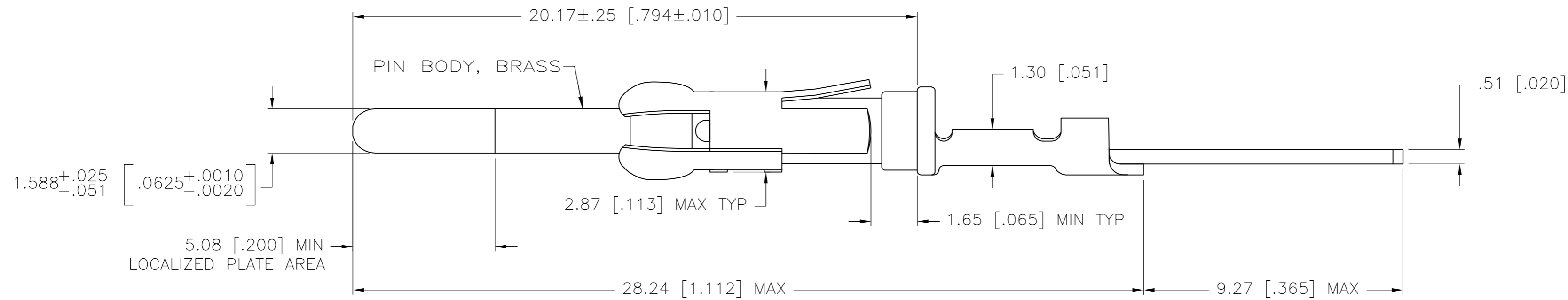
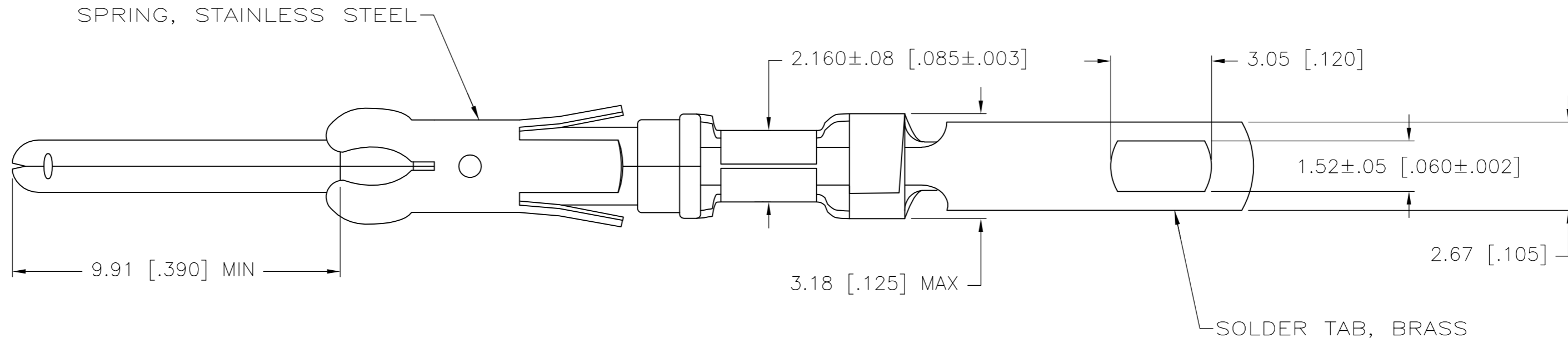


THIS DRAWING IS UNPUBLISHED. RELEASED FOR PUBLICATION
 © COPYRIGHT - ALL RIGHTS RESERVED.

REVISIONS				
P	LTR	DESCRIPTION	DATE	APVD
T2		REVISED PER ECO-16-004223	21JUL2016	NK MZ



- ① 1.27μm [.000050] MIN TIN-LEAD OVER
1.27μm [.000050] MIN NICKEL.
- ② 0.76μm [.000030] MIN GOLD IN LOCALIZED PLATE AREA, 0.25μm [.000010] MIN GOLD ON THE REMAINDER ALL OVER
1.27μm [.000050] MIN NICKEL.
- ③ 2.54μm [.000100] MIN TIN-LEAD OVER
1.27μm [.000050] MIN NICKEL.
- ④ 2.54μm [.000100] MIN TIN OVER
1.27μm [.000050] MIN NICKEL.
- ⑤ 1.27μm [.000050] MIN TIN OVER
1.27μm [.000050] MIN NICKEL.

OBSOLETE	④	SMALL PACK	②	202236-8	
		STANDARD	②	202236-7	
③	③	SMALL PACK	⑤	202236-6	
		STANDARD	⑤	202236-5	
		STANDARD	①	202236-4	
FINISH SOLDER TAB	PACKAGING TYPE	SMALL PACK	②	202236-3	
		STANDARD	①	202236-2	
		STANDARD	②	202236-1	
		FINISH SOLDER TAB	PACKAGING TYPE	FINISH	PART NO

THIS DRAWING IS A CONTROLLED DOCUMENT.		DWN H MOLL 27SEP90		
DIMENSIONS: mm [INCHES]		CHK J.McCLINTON 15DEC90		
TOLERANCES UNLESS OTHERWISE SPECIFIED:		APVD A. BOULLIANNE 15DEC90	NAME	
0 PLC ± -		PRODUCT SPEC	PIN ASSEMBLY, LOOSE PIECE, TYPE III+	
1 PLC ± -		APPLICATION SPEC	SIZE	CAGE CODE
2 PLC ± 0.13[.005]		WEIGHT	A2	00779
3 PLC ± -		FINISH	DRAWING NO	
4 PLC ± -		FINISH	C=202236	
ANGLES ± -		CUSTOMER DRAWING	SCALE	SHEET
MATERIAL SEE CALL OUT		PIN BODY:SEE TABLE	8:1	1 of 1
			REV	T2