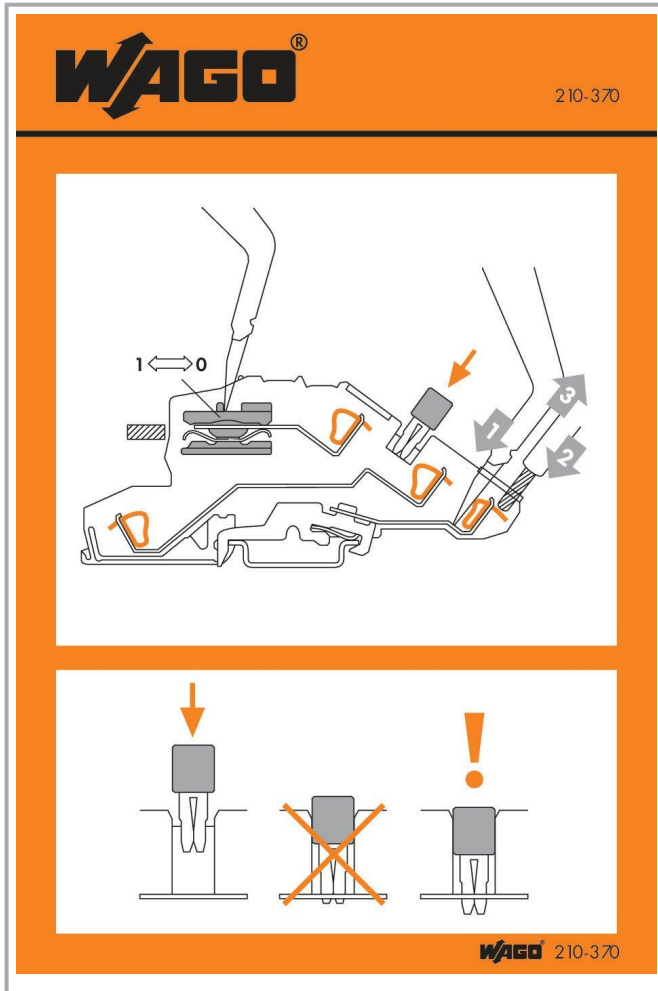


Data sheet | Item number: 210-370

Stickers for operating instructions; for TOPJOB® disconnect terminal blocks; 777, 780 to 784 Series

www.wago.com/210-370



Data

Material Data

Weight 1.8 g

Commercial data

Product Group 2 (Terminal Block Accessories)

eCl@ss 10.0 40-20-02-02

Subject to changes. Please also observe the further product documentation!

WAGO GmbH & Co. KG
Hansastr. 27
32423 Minden
Phone: +49571 887-0 | Fax: +49571 887-169
Email: info.de@wago.com | Web: www.wago.com

Do you have any questions about our products?
We are always happy to take your call at +49 (571) 887-44222.



eCl@ss 9.0	40-20-02-02
ETIM 8.0	EC001777
ETIM 7.0	EC001777
PU (SPU)	1000 (100) pcs
Packaging type	box
Country of origin	DE
GTIN	4017332329934
Customs tariff number	39199080888

Environmental Product Compliance

RoHS Compliance Status	Compliant, No Exemption
------------------------	-------------------------

Downloads

Environmental Product Compliance

Compliance Search

Environmental Product Compliance 210-370	URL	Download
Stickers for operating instructions; for TOPJOB® disconnect terminal blocks; 777, 780 to 784 Series		

Installation Notes

Subject to changes. Please also observe the further product documentation!