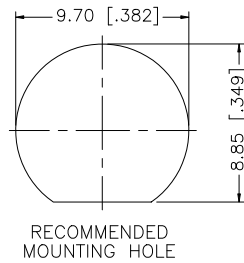
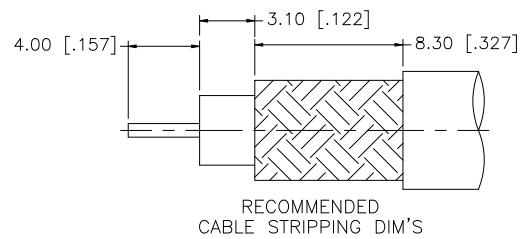
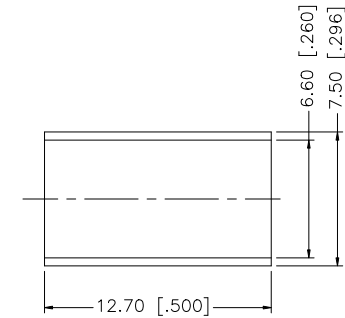
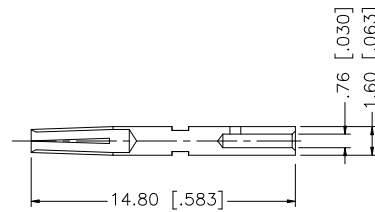
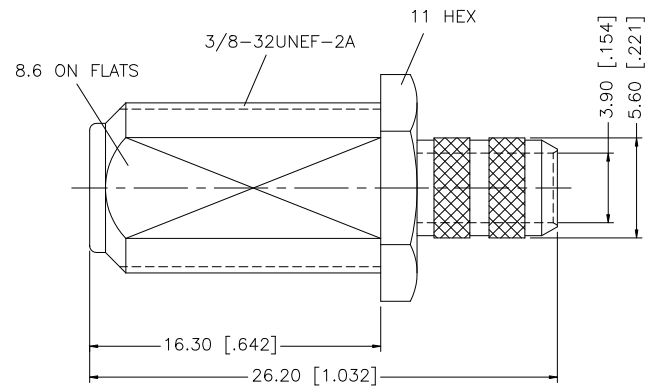


REV.	DATE	ECR NO.	DESCRIPTION
NC	10/15/04	-	INITIAL RELEASE
A	10/20/08	-	ADD LOCKWASHER AND NUT
B	03/16/09	-	REMOVE LOCKWASHER AND NUT



NOTES:

1. CRIMPED FERRULE HEX CRIMP SIZE .255" [6.48]
2. CONTACT PIN TO SOLDER

				UNLESS OTHERWISE SPECIFIED DIMENSIONS ARE IN MILLIMETERS. DIMENSIONS IN [] ARE IN INCHES AND FOR CUSTOMER REFERENCE ONLY.	APPROVALS	DATE	Amphenol Connex								
8					DRAWN	GRS					03/16/09	F CRIMP JACK (FOR BELDEN 8241, RG-59/U)			
7					CHECKED			PART DESCRIPTION							
6	FERRULE	COPPER	NICKEL	1	ISSUED			PART NO.							
5	HEX NUT	BRASS	NICKEL	1	SHEET	1 OF 1		222158							
4	LOCK WASHER	BRASS	NICKEL	1	CAD FILE			DWG. NO.	222158.DWG	REV. A	SIZE A	SCALE NA			
3	CONTACT PIN	PHOS. BRONZE	GOLD	1	DO NOT SCALE DRAWING										
2	INSULATOR	PTFE	NATURAL	1											
1	BODY	BRASS	NICKEL	1											
				UNLESS OTHERWISE SPECIFIED TOLERANCES FOR MILLIMETERS ARE: 0.5 - 8mm ± 0.20mm 8 - 30mm ± 0.40mm 30 - 120mm ± 0.50mm UNLESS OTHERWISE SPECIFIED TOLERANCES FOR INCHES ARE: .020 - .315 ± 0.007" .315 - 1.180 ± 0.015" 1.180 - 4.724 ± 0.020"											