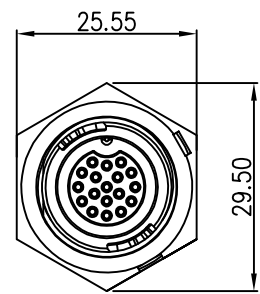
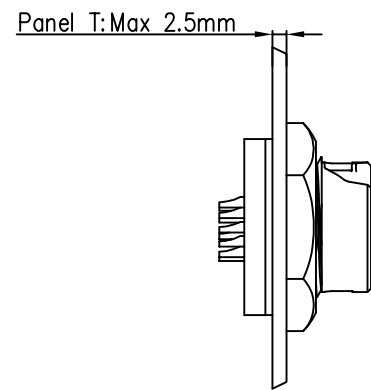
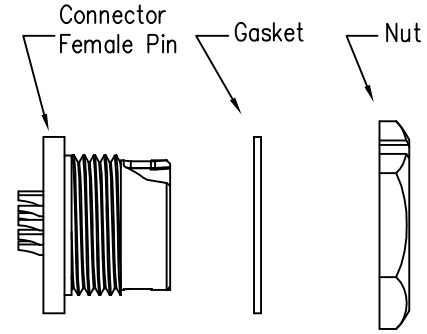
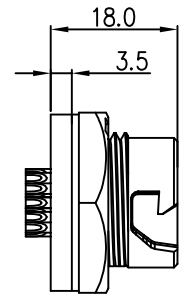


REV.	ECN NO.	DESCRIPTION	SIGN	DATE
C1	N/A	INITIAL DRAWING	Liu	2020/05/17



Recommended Panel Cut-Out



23XXX635-01
Pin Number

- Specification:
1. Operation Temperature: $-45^{\circ}\text{C} \sim 105^{\circ}\text{C}$.
 2. Insulation Resistance: $100\text{M}\Omega$ at DC500V.
 3. Contact Resistance: $<10\text{m}\Omega$.
 4. Withstand Voltage: 1000V AC
 5. Operating Current: 2A
 6. Operating Voltage: DC 30V
 7. Waterproof Rate: IP67 (Mated)
 8. Housing: Nylon, Black
 9. Female Pin: Copper Alloy, Gold Plated
 10. Gasket: Silicon Gray
 11. Panel Nut: Nylon, Blue
 12. Torque Rate: $0.8 \sim 1.0\text{N} \cdot \text{m}$
 13. RoHS Compliant.
 14. Mating Cap P/N: 806-00047-00

12 Pin	14 Pin	18 Pin
P/N: 23012635-01	P/N: 23014635-01	P/N: 23018635-01

Pin Assignments Front View

UNIT:mm	DESCRIPTION
	Middle Series Push Lock Front Mount With Female Pin
TOLERANCE .X ± 0.25 .XX ± 0.15 .XXX ± 0.05 ANGLES $\pm 1^{\circ}$	SCALE: 1:1 SHEET 1 OF 1
REV. C1	SIZE A4 * : Inspection Item

CHOGORI

PART NO	23XXX635-01	DRAWN BY	Liu	DATE	2020/05/17
DWG NO		CHECKED BY	Mo	DATE	2020/05/17
CUSTOMER		APPROVED BY	Adley	DATE	2020/05/17

THIS INFORMATION IS CONFIDENTIAL AND IS DISCLOSED TO YOU ON CONDITION THAT NO FURTHER DISCLOSURE IS MADE BY YOU TO OTHER THAN CHOGORI PERSONNEL WITHOUT AUTHORIZATION FROM CHOGORI CORP.