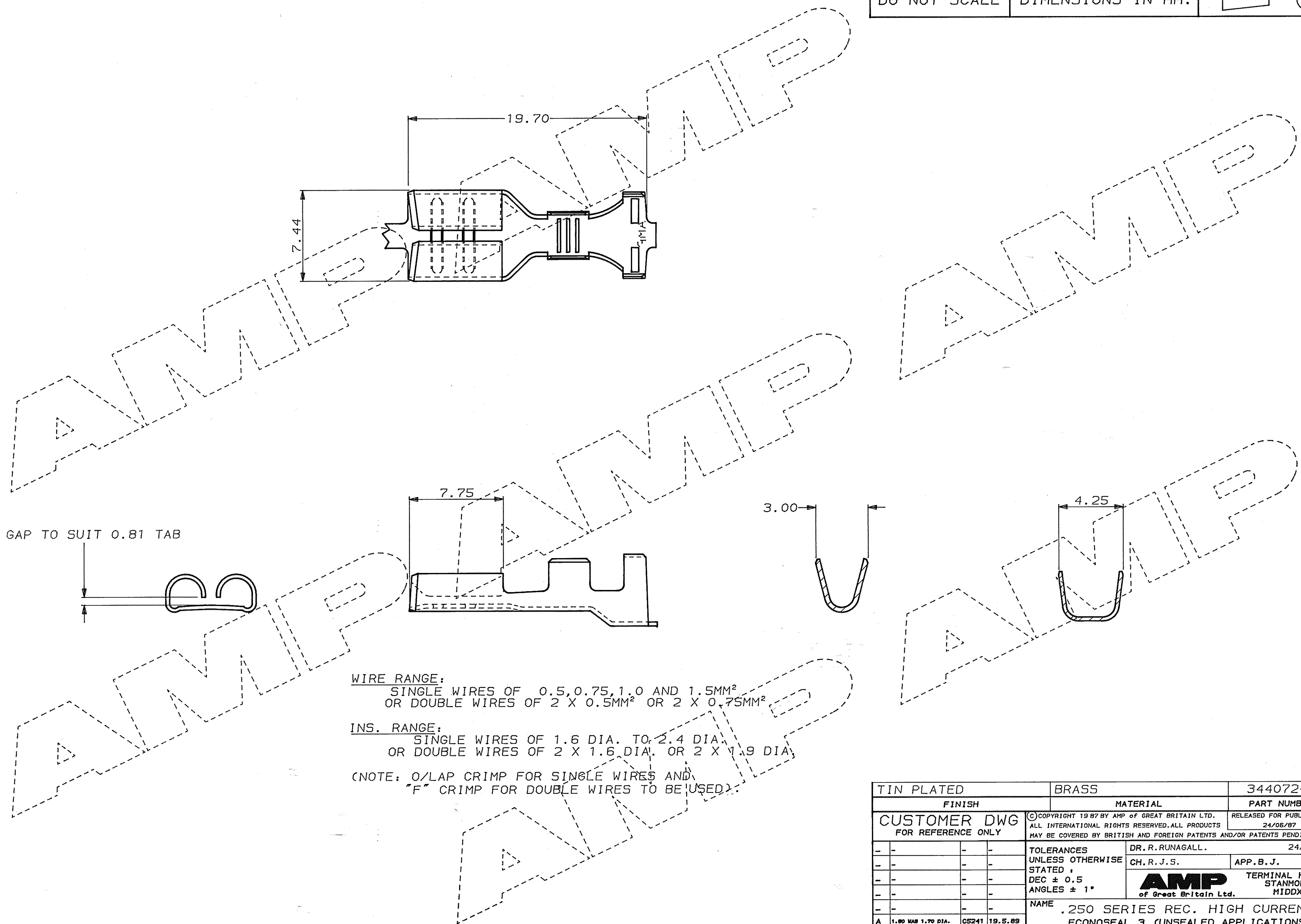


C.A.D. FILE CODE
S.C344072.

DO NOT SCALE DIMENSIONS IN MM.



WIRE RANGE:
SINGLE WIRES OF 0.5, 0.75, 1.0 AND 1.5MM²
OR DOUBLE WIRES OF 2 X 0.5MM² OR 2 X 0.75MM²

INS. RANGE:
SINGLE WIRES OF 1.6 DIA. TO 2.4 DIA.
OR DOUBLE WIRES OF 2 X 1.6 DIA. OR 2 X 1.9 DIA.

(NOTE: O/LAP CRIMP FOR SINGLE WIRES AND
"F" CRIMP FOR DOUBLE WIRES TO BE USED)

TIN PLATED		BRASS		344072-1	
FINISH		MATERIAL		PART NUMBER	
CUSTOMER DWG FOR REFERENCE ONLY		© COPYRIGHT 19 87 BY AMP OF GREAT BRITAIN LTD. ALL INTERNATIONAL RIGHTS RESERVED. ALL PRODUCTS MAY BE COVERED BY BRITISH AND FOREIGN PATENTS AND/OR PATENTS PENDING.		RELEASED FOR PUBLICATION 24/06/87	
-	-	TOLERANCES UNLESS OTHERWISE STATED :	DR. R. RUNAGALL.	24/06/87	
-	-	DEC ± 0.5	CH. R. J. S.	APP. B. J.	
-	-	ANGLES ± 1°	 AMP TERMINAL HOUSE of Great Britain Ltd. STANMORE MIDDX.		
-	-	NAME	.250 SERIES REC. HIGH CURRENT ECONOSEAL 3 (UNSEALED APPLICATIONS)		
A	1.00 WAS 1.70 DIA.	C5241	19.5.89	SCALE	LOC
O	REL. FOR PROD.	C4887	8.3.88	SIZE	DWG. No.
REV	APPROVED	ECN	DATE	5/1	E A2
					C344072
					REV SHEET
					A 1/1