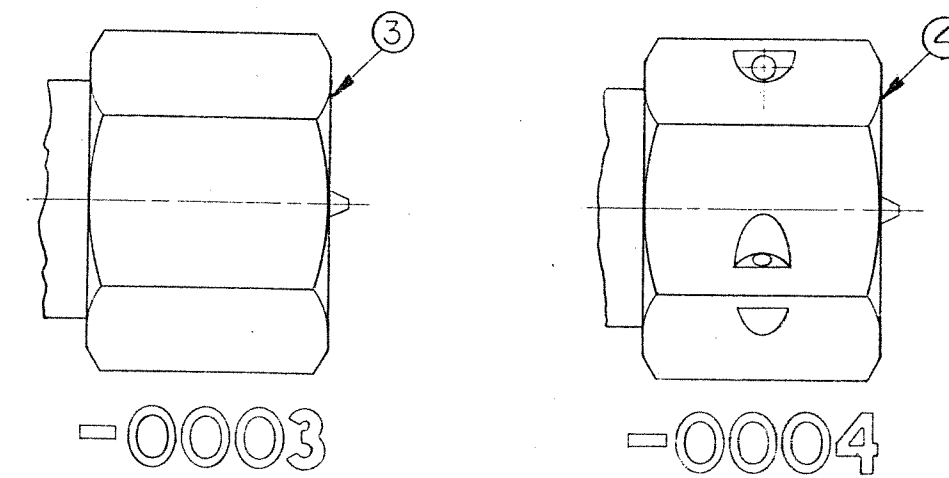
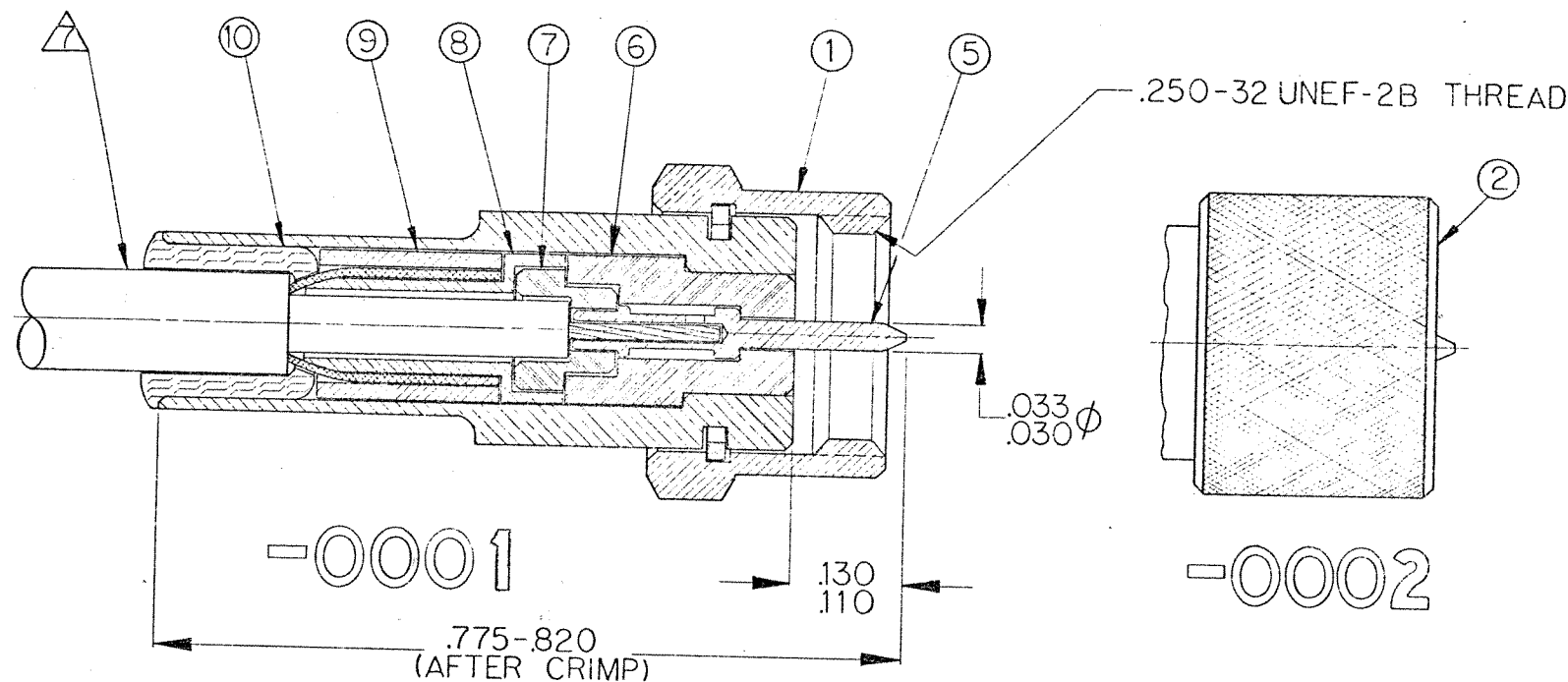


REVISIONS					
ZONE	LTR	ECN	DESCRIPTION	DATE	APPROVED
	H	23301	REVISED & REDRAWN	4.20.78	CDT
	J	2385	NOTE 2 WAS: ASSY TOOL REQ: 010-0065-0000 OR 010-0134-0000 FOR CONTACT AND 010-0083-0000 FOR HOUSING; NOTE 3 WAS: CENTER COND.	12/19/78	RAY



NOTES: UNLESS OTHERWISE SPECIFIED

- 1 THIS CONNECTOR MATES WITH ALL 93Ω GOLDEN CRIMP, CRIMP SILVER, AND S-93 JACKS & RECEPTACLES AS LISTED IN 'MALCO' CATALOG.
- 2 SEE RF-ASMB-8 FOR ASSEMBLY INSTRUCTIONS. SPECIAL TOOLS REQUIRED:
 CONTACT CRIMP: TOOL 010-0134-0000 AND LOCATOR 001-0104-0000.
 ALTERNATE TOOL 010-0065-0000 (NO LOCATOR REQ'D)
 HOUSING CRIMP: TOOL 010-0083-0000
- 3 HOUSING, NUT, CONTACT, INNER SLEEVE & MIDDLE SLEEVE: GOLD PLATE PER MIL-G-45204, TYPE II, GRADE C, CLASS 1.
- 4 DELETED
- 5 COUPLING NUT HAS SAFETY WIRE HOLES WHICH ACCEPT .021 DIA. WIRE.
- 6 FOR ELECTRICAL, MECHANICAL & ENVIRONMENTAL SPECS SEE 'MALCO' CATALOG.
- 7 CABLE ACCOMMODATION DIMENSIONS:
 JACKET DIA .155 MAX.
 DIELECTRIC DIA .091-.107
 INNER CONDUCTOR DIA .009-.019
 FOR USE WITH EXTRUDED OR WRAPPED JACKET.

QTY REQD	CODE IDENT	PART OR IDENTIFYING NO.	NOMENCLATURE OR DESCRIPTION	MATERIAL & SPEC	FINISH	ITEM			
1	1	1	1	003-0967-0001	SEALING SLEEVE	SILICONE RUBBER PER ZZ-R-765	10		
1	1	1	1	003-0965-0002	MIDDLE CRIMP SLEEVE	LEADED COPPER	3 9		
1	1	1	1	003-0966-0002	INNER CRIMP SLEEVE	BRASS PER QQ-B-626	3 8		
1	1	1	1	003-0964-0001	CABLE INSULATOR	TEFLON PER L-P-403	7		
1	1	1	1	003-1326-0001	HOUSING INSULATOR	TEFLON PER L-P-403	6		
1	1	1	1	003-0807-0002	PIN CONTACT	BERYLLIUM COPPER PER QQ-C-530	3 5		
1	1	1	1	003-1320-0004	HOUSING SUBASSY NUT .312" HEX		3 4		
1	1	1	1	003-1320-0003	HOUSING SUBASSY NUT .312" HEX		3 3		
1	1	1	1	003-1320-0002	HOUSING SUBASSY NUT .320" KNURLED		3 2		
1	1	1	1	003-1320-0001	HOUSING SUBASSY NUT .312" PARTIAL HEX		3 1		
4	3	2	1		PART NUMBER	NOMENCLATURE	MATERIAL & SPEC	FINISH	ITEM

8-1332149-6

UNLESS OTHERWISE SPECIFIED DIMENSIONS ARE IN INCHES TOLERANCES ARE: FRACTIONS DECIMALS ANGLES ± .XX ± .XXX ±	CONTRACT NO.	MALCO A MICRODOT COMPANY, INC. 220 PASADENA AVE., SO. PASADENA, CALIF. 91080
APPROVALS	DATE	PRG. CODE
DRAWN DRAGOLOVIC	4-10-78	941
CHECKED	4-17-78	CDM
PR. ENG. RAY		
APPD.		
FINISH	SIZE	CODE IDENT NO.
NOTED	B	98278
NOTED	DRAWING NO.	132-0300-000*
DO NOT SCALE DRAWING	SCALE 5/1	SHEET 1 OF 1