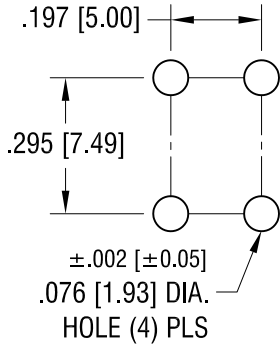
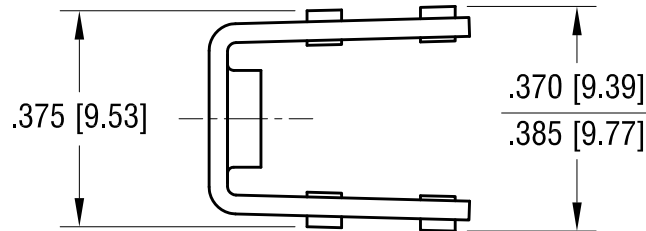
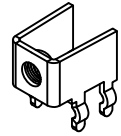


THIS DOCUMENT IS THE PROPERTY OF KEYSTONE ELECTRONICS CORP. AND SHALL NOT BE REPRODUCED, DISTRIBUTED OR USED AS A BASIS FOR MANUFACTURE WITHOUT PRIOR WRITTEN PERMISSION FROM KEYSTONE ELECTRONICS CORP.

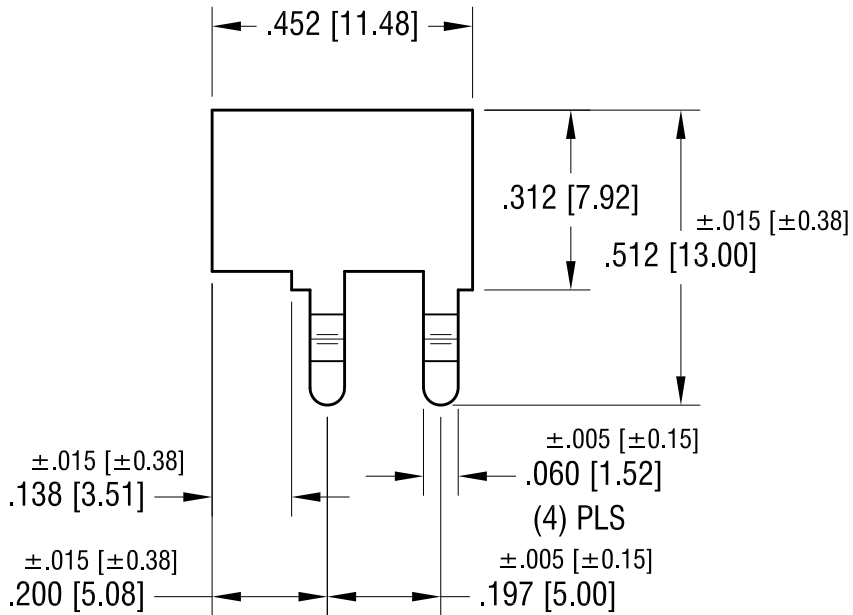
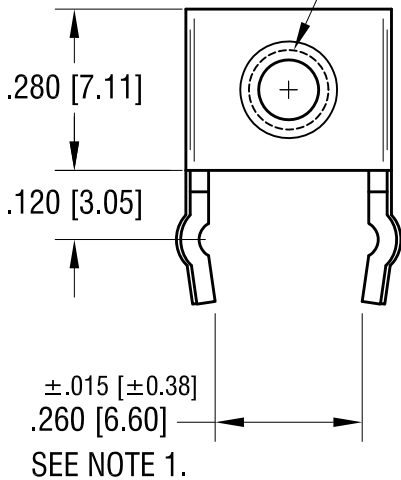
MOUNTING DETAIL



ACTUAL SIZE



6-32 THREAD
CLASS 2B



NOTE:

1. .260 [6.60] ±.015 [±0.38] DIMENSION TO BE MEASURED AT END OF LEG, NOT AT SEATING PLANE.

KEYSTONE ELECTRONICS CORP.

www.keyelco.com • NEW HYDE PARK, NY 11040 • Tel (516) 328-7500

1.14.16	CHANGE AS PER ECN 16-003	D	PART NAME PC SCREW TERMINAL		
2.25.13	CHANGE AS PER ECN 13-022	C	MATERIAL .032 [0.81] TH'K BRASS		
7.08.09	CHANGE AS PER ECN 09-096	B	FINISH MATTE TIN PLATE		DRN BY BOONE
1.30.08	CHANGE AS PER ECN 08-065	A	TOLERANCES INCH [MM] DECIMAL ±.010 [±0.25] ANGULAR ± 1° UNLESS OTHERWISE SPECIFIED		DATE 9.06.01
DATE	DESCRIPTION	REV.	CODE C		SCALE 3X
			DWG NO. 7779		