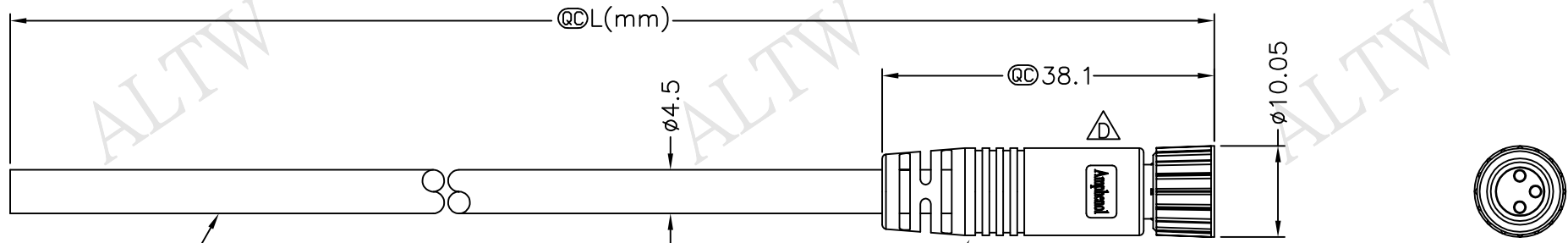


REV.	ECN NO.	DATE	SIGN	DESCRIPTION
B	LEN-780066	2007/04/27	Ferds	Change Pin Out Color & Apply New Standard.
C	LEN-920189~192	2009/02/04	Vicky	Update the drawing.
D	LEN1630097~101	2016/02/18	Ruru	Change Logo

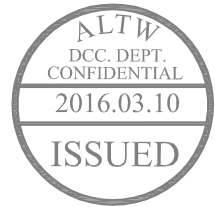
THIS DOCUMENT IS SUBJECT TO CHANGE WITHOUT NOTICE. IT IS CONFIDENTIAL AND A PROPERTY OF Amphenol LTW. DISCLOSURE TO THIRD PARTY HAS TO BE AUTHORIZED BY Amphenol LTW.



Cable ②

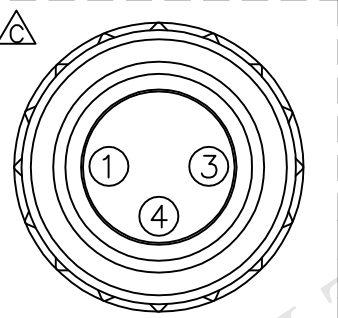
8-03AFFM-SL7000
Color: Black

Conn.



8-03AFFM-SL7BXX
 XX:01~99Meters
 01:01Meter
 02:02Meters
 :
 :
 99:99Meters
 Cable Length(L):01~99Meters

- Notes:
- * @C Important Dimension.
 - * Waterproof Rate:IP67.
 - * Connector:Black,PU.
 - * Female Pin:Copper Alloy,Gold Plated.
 - * Cable:22AWG*3C+Insulation,Black,PU,OD=4.5mm.
 - * Cable Length Tolerance:
 - 01M:±40mm
 - 02M~05M:±60mm
 - 06M~10M:±100mm
 - 11M~30M:±200mm
 - 31M~99M:±500mm



Pin Assignments
Front View

Conn.	Wire Color	Pin Out
4	Black	黑
3	Blue	藍
1	Brown	棕

UNIT:mm	
TOLERANCE	
±0.5 mm	

TITLE	M8 Conn Cable Screw 3P F Conn F Pin		
SCALE	Free	SHEET	1 OF 1
REV.	D	SIZE	A4
QC :Inspection Item			

Amphenol LTW
安費諾亮泰企業股份有限公司

ITEM NO	8-03AFFM-SL7BXX	DRAWN BY	Ruru	DATE	2016/02/18
DWG NO	8-03AFFM-SL7BXX	CHECKED BY	Rita	DATE	2016/02/18
CUSTOMER	ALTW	APPROVED BY	Lisa	DATE	2016/02/18