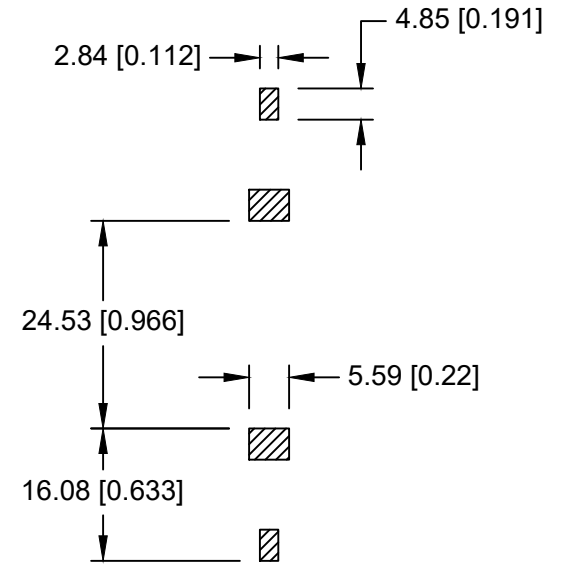
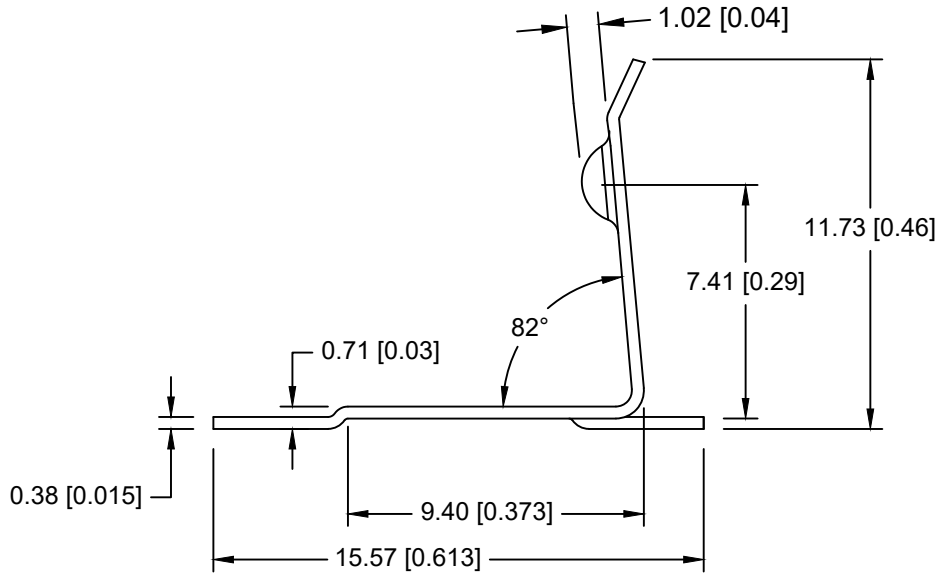
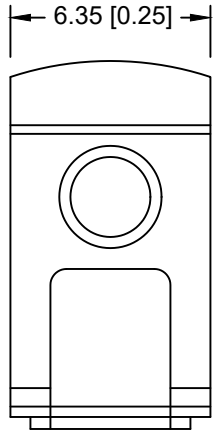
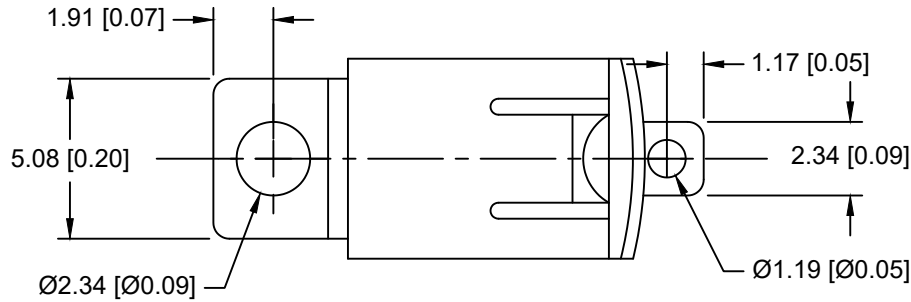



| Date | SYM | REVISION RECORD | AUTH | DR. | CK. |
|----------|-----|------------------|------|------|-----|
| 06/11/18 | A | Added PCB Layout | T.B. | B.S. | |
| | | | | | |
| | | | | | |
| | | | | | |



PCB LAYOUT

NOTES:

- MATERIAL:
0.015" PHOSPHOR BRONZE, NICKEL PLATED
ROHS 2 COMPLIANT

| | | | |
|--------------------------------|---|-------------------------|-----------------------------------|
| Tolerance (Except as noted) |  Memory Protection Devices, Inc 200 Broad Hollow Road, Farmingdale, New York 11735 | | |
| | decimal ±.5 (.020) | Scale | Drawn By B.S. Approved By T.B. |
| Fractional ± .8 (.030) | Title SMD BATTERY CONTACT FOR AA BATTERIES | | |
| Angular ± 3° | Date 06/11/18 | Drawing Number BK-57 | |