

# NCV1034

## 100V Synchronous PWM Buck Controller

### Description

The NCV1034 is a high voltage PWM controller designed for high performance synchronous Buck DC/DC applications with input voltages up to 100 V. The NCV1034 drives a pair of external N-MOSFETs. The switching frequency is programmable from 25 kHz up to 500 kHz allowing the flexibility to tune for efficiency and size. A synchronization feature allows the switching frequency to be set by an external source or output a synchronization signal to multiple NCV1034 controllers. The output voltage can be precisely regulated using the internally trimmed 1.25 V reference voltage for low voltage applications. Protection features include user programmable undervoltage lockout and hiccup current limit.

### Features

- High Voltage Operating up to 100 V
- Programmable Switching Frequency up to 500 kHz
- 2 A Output Drive Capability
- Precision Reference Voltage (1.25 V)
- Programmable Soft-Start with Prebiased Load Capability
- Programmable Overcurrent and Undervoltage Protection
- Hiccup Current Limit Using MOSFET  $R_{DS(on)}$  Sensing
- External Frequency Synchronization
- NCV Prefix for Automotive and Other Applications Requiring Unique Site and Control Change Requirements; AEC-Q100 Qualified and PPAP Capable
- These Devices are Pb-Free and are RoHS Compliant

### Applications

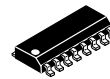
- 48 V Non-Isolated DC-DC Converter
- Embedded Telecom Systems
- Networking and Computing Voltage Regulator
- Distributed Point of Load Power Architectures
- General High Voltage DC-DC Converters



**ON Semiconductor®**

[www.onsemi.com](http://www.onsemi.com)

### MARKING DIAGRAM

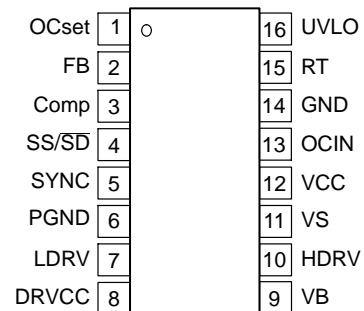


**SOIC-16  
D SUFFIX  
CASE 751B**



- A = Assembly Location
- WL = Wafer Lot
- Y = Year
- WW = Work Week
- G = Pb-Free Package

### PIN CONNECTIONS



(Top View)

### ORDERING INFORMATION

See detailed ordering and shipping information in the package dimensions section on page 23 of this data sheet.

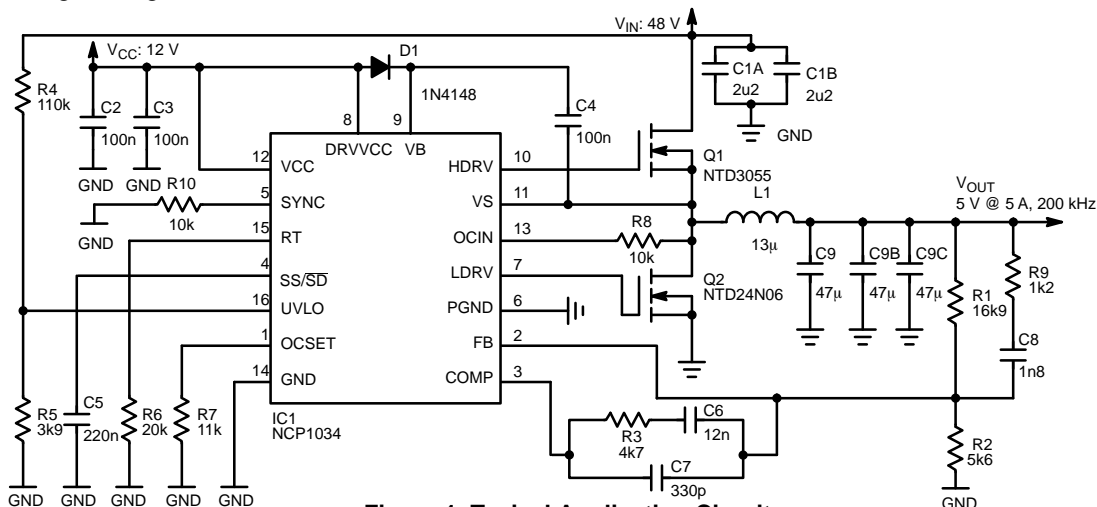


Figure 1. Typical Application Circuit

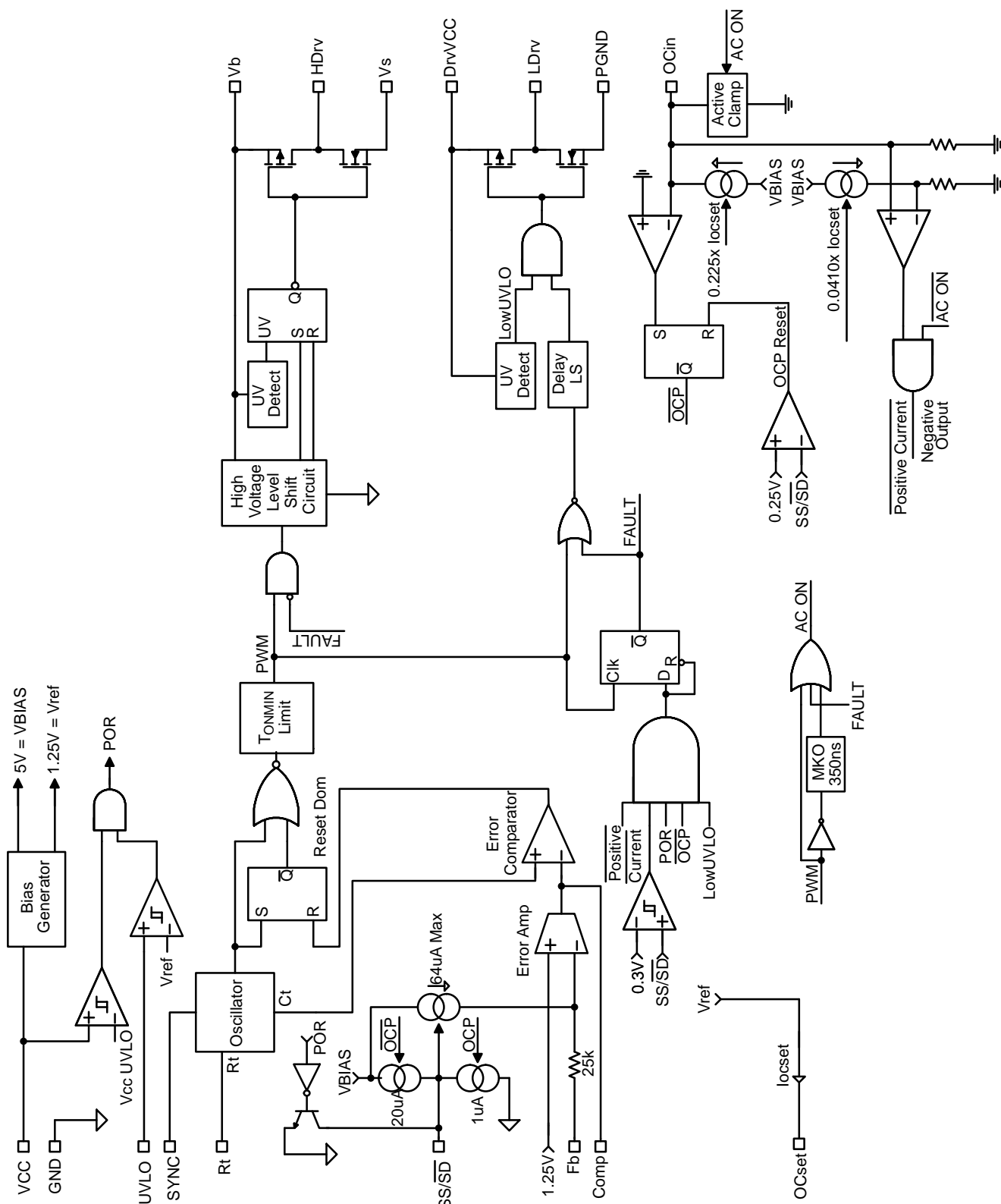


Figure 2. Internal Block Diagram

# NCV1034

## PIN FUNCTION DESCRIPTION

| PIN | PIN NAME            | DESCRIPTION  |
|-----|---------------------|--|
| 1   | OC <sub>set</sub>   | Current limit set point. A resistor from this pin to GND will set the positive and negative current limit threshold  |
| 2   | FB                  | Inverting input to the error amplifier. This pin is connected directly to the output of the regulator via resistor divider to set the output voltage and provide feedback to the error amplifier.  |
| 3   | COMP                | Output of error amplifier. An external resistor and capacitor network is typically connected from this pin to ground to provide loop compensation.   |
| 4   | SS/ $\overline{SD}$ | Soft-Start / Shutdown. This pin provides user programmable soft-start function. External capacitor connected from this pin to ground sets the startup time of the output voltage. The converter can be shutdown by pulling this pin below 0.3 V. |
| 5   | SYNC                | The internal oscillator can be synchronized to an external clock via this pin and other IC's can be synchronized via this pin to internal oscillator. If it is not used this pin should be connected via 10 k $\Omega$ resistor to ground.       |
| 6   | P <sub>GND</sub>    | Power Ground. This pin serves as a separate ground for the MOSFET driver and should be connected to the system's power ground plane.   |
| 7   | LDRV                | Output driver for low side MOSFET.   |
| 8   | DRV <sub>VCC</sub>  | This pin provides biasing for the internal low side driver. A minimum of 0.1 $\mu$ F, high frequency capacitor must be connected from this pin to power ground.  |
| 9   | VB                  | This pin powers the high side driver and must be connected to a voltage higher than input voltage. A minimum of 0.1 $\mu$ F, high frequency capacitor must be connected from this pin to switch node.  |
| 10  | HDRV                | Output driver for high side MOSFET   |
| 11  | V <sub>S</sub>      | Switch Node. This pin is connected to the source of the upper MOSFET and the drain of the lower MOSFET. This pin is return path for the upper gate driver.   |
| 12  | V <sub>CC</sub>     | This pin provides power for the internal blocks of the IC. A minimum of 0.1 $\mu$ F, high frequency capacitor must be connected from this pin to ground.   |
| 13  | OC <sub>IN</sub>    | Overcurrent sensing input. A serial resistor from this pin to drain of low MOSFET must be used to limit the current into this pin.   |
| 14  | GND                 | Signal ground for internal reference and control circuitry.  |
| 15  | R <sub>T</sub>      | Connecting a resistor from this pin to ground sets the oscillator frequency.   |
| 16  | UVLO                | An external voltage divider is used to set the undervoltage threshold levels.  |

**ABSOLUTE MAXIMUM RATINGS**

| Rating                              | Symbol | Min         | Max            | Unit |
|-------------------------------------|--------|-------------|----------------|------|
| FB, $V_{UVLO}$ , $R_T$ , $OC_{set}$ |        | -0.3        | 10             | V    |
| COMP, SS/SD, SYNC, $OC_{IN}$        |        | -0.3        | 5              | V    |
| $P_{GND}$                           |        | NA          | NA             | V    |
| LDRV                                |        | -0.3        | $V_{CC} + 0.3$ | V    |
| $DRV_{V_{CC}}$ , $V_{CC}$           |        | -0.3        | 20             | V    |
| VB                                  |        | $V_S$       | $V_S + 20$     | V    |
| HDRV                                |        | $V_S - 0.3$ | $V_B + 0.3$    | V    |
| $V_S$                               |        | -1.0        | 150            | V    |
| GND                                 |        | NA          | NA             | V    |
| $OC_{in}$ Input Current             |        |             | 20             | mA   |

All voltages referenced to GND

| Rating  | Symbol          | Value               | Unit   |
|---|-----------------|---------------------|--------|
| Thermal Resistance, Junction-to-Ambient   | $R_{\theta JA}$ | 130                 | °C/W   |
| Operating Ambient Temperature Range   | $T_A$           | -40 to 125          | °C     |
| Storage Temperature Range   | $T_{STG}$       | -55 to 150          | °C     |
| Junction Operating Temperature  | $T_J$           | -40 to 150          | °C     |
| ESD Withstand Voltage<br>Human Body Model (Note 1)<br>Human Body Model (Note 2)<br>Charged Device Model | $V_{ESD}$       | 2000<br>1000<br>500 | V<br>V |
| Latchup Capability per Jedec JESD78 (25°C and 125°C)  |                 |                     |        |

Stresses exceeding those listed in the Maximum Ratings table may damage the device. If any of these limits are exceeded, device functionality should not be assumed, damage may occur and reliability may be affected.

1. Excluding pins  $V_B$ ,  $V_S$  and  $HDRV$ .
2. Includes all pins.

**TYPICAL ELECTRICAL PARAMETERS**

**RECOMMENDED OPERATING CONDITIONS**

| Symbol         | Definition           | Min | Max | Unit |
|----------------|----------------------|-----|-----|------|
| $V_{IN}$       | Converting Voltage   |     | 100 | V    |
| $V_{CC}$       | Supply Voltage       | 10  | 18  | V    |
| $DRV_{CC}$     | Supply Voltage       | 10  | 18  | V    |
| $V_B$ to $V_S$ | Supply Voltage       | 10  | 18  | V    |
| $F_{SW}$       | Operating Frequency  | 25  | 500 | kHz  |
| $T_J$          | Junction Temperature | -40 | 125 | °C   |

Functional operation above the stresses listed in the Recommended Operating Ranges is not implied. Extended exposure to stresses beyond the Recommended Operating Ranges limits may affect device reliability.

# NCV1034

**ELECTRICAL CHARACTERISTICS** (Unless otherwise specified, these specifications apply over  $V_{CC} = 12\text{ V}$ ,  $DRV_{CC} = V_B = 12\text{ V}$ ,  $-40^\circ\text{C} < T_J < 125^\circ\text{C}$ )

| Parameter | Symbol | Test Condition | Min | Typ | Max | Unit |
|-----------|--------|----------------|-----|-----|-----|------|
|-----------|--------|----------------|-----|-----|-----|------|

## REFERENCE VOLTAGE

|                            |           |   |       |      |       |    |
|----------------------------|-----------|---|-------|------|-------|----|
| Feedback Voltage           | $V_{FB}$  |   | 1.214 | 1.25 | 1.289 | V  |
| FB Voltage Line Regulation | $L_{REG}$ | $10\text{ V} < V_{CC} < 18\text{ V}$ (Note 4) |       |      | 2.0   | mV |

## SUPPLY CURRENT

|                                  |                  |  |  |     |     |    |
|----------------------------------|------------------|--|--|-----|-----|----|
| $V_{CC}$ Supply Current (Stat)   | $I_{CC(Static)}$ | $S_S = 0\text{ V}$ , No Switching, $R_T = 10\text{ k}\Omega$ , $R_{OCSET} = 10\text{ k}\Omega$ |  | 2.0 | 3.0 | mA |
| $DRV_{CC}$ Supply Current (Stat) | $I_{C(Static)}$  | $S_S = 0\text{ V}$ , No Switching  |  | 0.1 | 0.3 | mA |
| $V_B$ Supply Current (Stat)      | $I_{B(Static)}$  | $S_S = 0\text{ V}$ , No Switching  |  | 0.1 | 0.3 | mA |

## UNDERVOLTAGE LOCKOUT

|                              |                      |                            |      |      |      |   |
|------------------------------|----------------------|----------------------------|------|------|------|---|
| $V_{CC}$ -Start-Threshold    | $V_{CC\_UVLO (R)}$   | Supply Ramping Up          | 7.9  | 8.9  | 9.8  | V |
| $V_{CC}$ -Stop-Threshold     | $V_{CC\_UVLO (F)}$   | Supply Ramping Down        | 7.3  | 8.2  | 9.0  | V |
| $V_{CC}$ -Hysteresis         |                      | Supply Ramping Up and Down |      | 0.7  |      | V |
| $DRV_{CC}$ -Start-Threshold  | $DRV_{CC\_UVLO (R)}$ | Supply Ramping Up          | 7.9  | 8.9  | 9.8  | V |
| $DRV_{CC}$ -Stop-Threshold   | $DRV_{CC\_UVLO (F)}$ | Supply Ramping Down        | 7.3  | 8.2  | 9.0  | V |
| $DRV_{CC}$ -Hysteresis       |                      | Supply Ramping Up and Down |      | 0.7  |      | V |
| $V_B$ -Start-Threshold       | $V_{B\_UVLO (R)}$    | Supply Ramping Up          | 7.9  | 8.9  | 9.8  | V |
| $V_B$ -Stop-Threshold        | $V_{B\_UVLO (F)}$    | Supply Ramping Down        | 7.3  | 8.2  | 9.0  | V |
| $V_B$ -Hysteresis            |                      | Supply Ramping Up and Down |      | 0.7  |      | V |
| Undervoltage Threshold Value | $U_{UVLO (Rising)}$  |                            | 1.18 | 1.25 | 1.31 | V |
| Undervoltage Threshold Value | $U_{UVLO (Falling)}$ |                            | 1.09 | 1.15 | 1.20 | V |

## OSCILLATOR

|                         |                        |  |            |            |            |            |
|-------------------------|------------------------|--|------------|------------|------------|------------|
| Frequency               | $F_S$                  | $R_T = 20\text{ k}\Omega$<br>$R_T = 10\text{ k}\Omega$ | 170<br>320 | 200<br>375 | 230<br>430 | kHz        |
| Ramp Amplitude          | $V_{ramp}$             | (Note 4)   |            | 2.0        |            | V          |
| Min Duty Cycle          | $D_{min}$              | $FB = 2\text{ V}$                                      |            |            | 0          | %          |
| Min Pulse Width         | $D_{min(ctrl)}$        | $F_S = 200\text{ kHz}$ , (Note 4)                      |            |            | 200        | ns         |
| Max Duty Cycle          | $D_{max}$              | $F_S = 400\text{ kHz}$ , $FB = 1.2\text{ V}$           | 80         |            |            | %          |
| SYNC Frequency Range    | $SYNC(F_S)$            | 20% Above Free Running Frequency                       |            |            | 500        | kHz        |
| SYNC Pulse Duration     | $SYNC_{(pulse)}$       |  | 200        |            |            | ns         |
| SYNC High Level         | $SYNC_{(H)}$           |  | 2.0        |            |            | V          |
| SYNC Low Level          | $SYNC_{(L)}$           |  |            |            | 0.8        | V          |
| SYNC Input Threshold    | $SYNC_{(Thre)}$        |  |            | 1.6        |            | V          |
| SYNC Input Hysteresis   | $SYNC_{(Hyst)}$        |  | 300        |            |            | mV         |
| SYNC Input Impedance    | $SYNC_{(ZIN)}$         | (Note 4)   |            | 16         |            | k $\Omega$ |
| SYNC Output Impedance   | $SYNC_{(OUT)}$         | (Note 4)   |            | 2.5        |            | k $\Omega$ |
| SYNC Output Pulse Width | $SYNC_{(Pulse Width)}$ | $F_S = 500\text{ kHz}$ , (Note 4)                      |            | 300        |            | ns         |

## ERROR AMPLIFIER

|                    |          |  |  |      |      |               |
|--------------------|----------|--|--|------|------|---------------|
| Input Bias Current | $I_{FB}$ | $S_S = 3\text{ V}$ , $FB = 1\text{ V}$ |  | -0.1 | -0.4 | $\mu\text{A}$ |
|--------------------|----------|--|--|------|------|---------------|

Product parametric performance is indicated in the Electrical Characteristics for the listed test conditions, unless otherwise noted. Product performance may not be indicated by the Electrical Characteristics if operated under different conditions.

3. Cold temperature performance is guaranteed via correlation using statistical quality control. Not tested in production.

4. Guaranteed by design but not tested in production.

# NCV1034

**ELECTRICAL CHARACTERISTICS** (Unless otherwise specified, these specifications apply over  $V_{CC} = 12\text{ V}$ ,  $DRV_{CC} = V_B = 12\text{ V}$ ,  $-40^\circ\text{C} < T_J < 125^\circ\text{C}$ )

| Parameter | Symbol | Test Condition | Min | Typ | Max | Unit |
|-----------|--------|----------------|-----|-----|-----|------|
|-----------|--------|----------------|-----|-----|-----|------|

## ERROR AMPLIFIER

|                     |                            |          |      |      |      |                 |
|---------------------|----------------------------|----------|------|------|------|-----------------|
| Source/Sink Current | $I_{(\text{Source/Sink})}$ |          | 50   | 100  | 120  | $\mu\text{A}$   |
| Bandwidth           |                            | (Note 4) | 4.0  | 10   |      | MHz             |
| DC gain             |                            | (Note 4) |      | 55   |      | dB              |
| Transconductance    | $g_m$                      | (Note 4) | 1500 | 3150 | 4000 | $\mu\text{mho}$ |

## SOFT-START/SD

|                           |          |                    |    |     |     |               |
|---------------------------|----------|--------------------|----|-----|-----|---------------|
| Soft-Start Current        | $I_{SS}$ | $S_S = 0\text{ V}$ | 15 | 20  | 25  | $\mu\text{A}$ |
| Shutdown Output Threshold | $S_D$    |                    |    | 0.3 | 0.4 | V             |

## OVERCURRENT PROTECTION

|                   |                          |                                |  |      |     |               |
|-------------------|--------------------------|--------------------------------|--|------|-----|---------------|
| OCSET Voltage     | $V_{OCSET}$              |                                |  | 1.25 |     | V             |
| Hiccup Current    | $I_{Hiccup}$             | (Note 4)                       |  | 1.0  |     | $\mu\text{A}$ |
| Hiccup Duty Cycle | $Hiccup_{(\text{duty})}$ | $I_{Hiccup}/I_{SS}$ , (Note 4) |  |      | 5.0 | %             |

## OUTPUT DRIVERS

|   |                       |   |    |     |     |          |
|---|-----------------------|---|----|-----|-----|----------|
| LO, Drive Rise Time                         | $t_r(\text{Lo})$      | $C_L = 1.5\text{ nF}$ (See Figure 3)  |    | 17  |     | ns       |
| HI Drive Rise Time                          | $t_r(\text{Hi})$      | $C_L = 1.5\text{ nF}$ (See Figure 3)  |    | 17  |     | ns       |
| LO Drive Fall Time                          | $t_f(\text{Lo})$      | $C_L = 1.5\text{ nF}$ (See Figure 3)  |    | 10  |     | ns       |
| HI Drive Fall Time                          | $t_f(\text{Hi})$      | $C_L = 1.5\text{ nF}$ (See Figure 3)  |    | 10  |     | ns       |
| Dead Band Time                              | $t_{\text{dead}}$     | (See Figure 3)  | 30 | 60  | 120 | ns       |
| LO Output High Short Circuit Pulsed Current | $t_{LDRV\text{high}}$ | $V_{LDRV} = 0\text{ V}$ , $P_W \leq 10\ \mu\text{s}$ ,<br>$T_J = 25^\circ\text{C}$ (Note 4) |    | 1.4 |     | A        |
| HI Output High Short Circuit Pulsed Current | $t_{HDRV\text{high}}$ | $V_{HDRV} = 0\text{ V}$ , $P_W \leq 10\ \mu\text{s}$ ,<br>$T_J = 25^\circ\text{C}$ (Note 4) |    | 2.2 |     | A        |
| LO Output Low Short Circuit Pulsed Current  | $t_{LDRV\text{high}}$ | $V_{LDRV} = DRV_{CC}$ , $P_W \leq 10\ \mu\text{s}$ ,<br>$T_J = 25^\circ\text{C}$ (Note 4)   |    | 1.4 |     | A        |
| HI Output Low Short Circuit Pulsed Current  | $t_{HDRV\text{high}}$ | $V_{HDRV} = V_B$ , $P_W \leq 10\ \mu\text{s}$ ,<br>$T_J = 25^\circ\text{C}$ (Note 4)        |    | 2.2 |     | A        |
| LO Output Resistor, Source                  | $R_{LOH}$             | Typical Value @ $25^\circ\text{C}$ , (Note 4)   |    | 7   | 12  | $\Omega$ |
| LO Output Resistor, Sink                    | $R_{LOL}$             | Typical Value @ $25^\circ\text{C}$ , (Note 4)   |    | 2   | 8   | $\Omega$ |
| HI Output Resistor, Source                  | $R_{HIH}$             | Typical Value @ $25^\circ\text{C}$ , (Note 4)   |    | 7   | 12  | $\Omega$ |
| HI Output Resistor, Sink                    | $R_{HIL}$             | Typical Value @ $25^\circ\text{C}$ , (Note 4)   |    | 2   | 8   | $\Omega$ |

Product parametric performance is indicated in the Electrical Characteristics for the listed test conditions, unless otherwise noted. Product performance may not be indicated by the Electrical Characteristics if operated under different conditions.

- Cold temperature performance is guaranteed via correlation using statistical quality control. Not tested in production.
- Guaranteed by design but not tested in production.

NCV1034

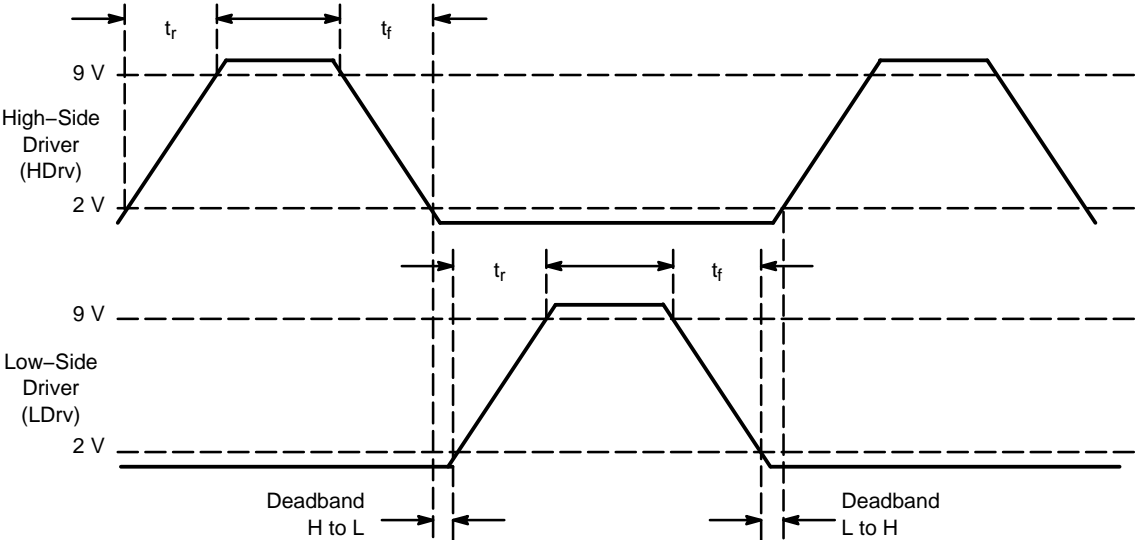


Figure 3. Definition of Rise-Fall Time and Deadband Time

TYPICAL OPERATING CHARACTERISTICS

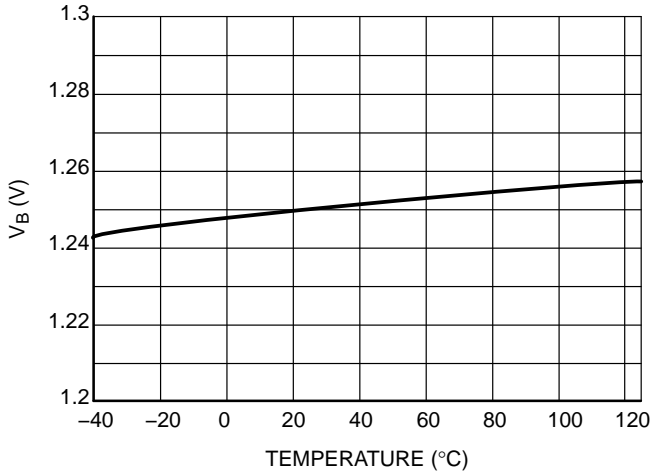


Figure 4.  $V_{FB}$

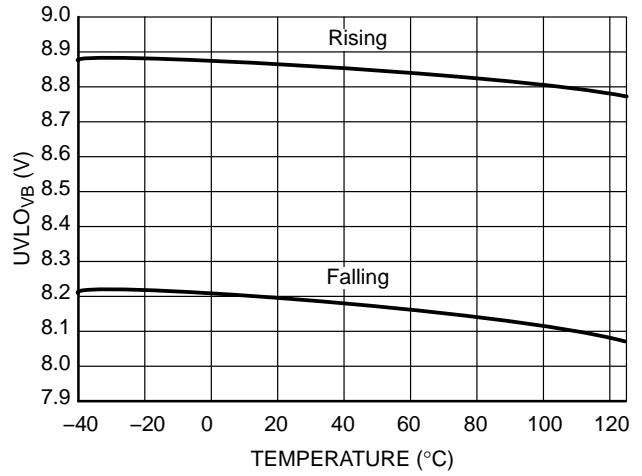


Figure 5.  $UVLO_{VB}$

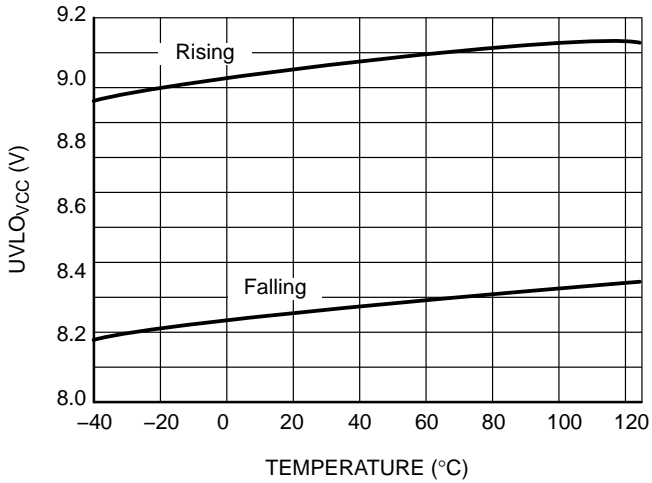


Figure 6.  $UVLO_{VCC}$

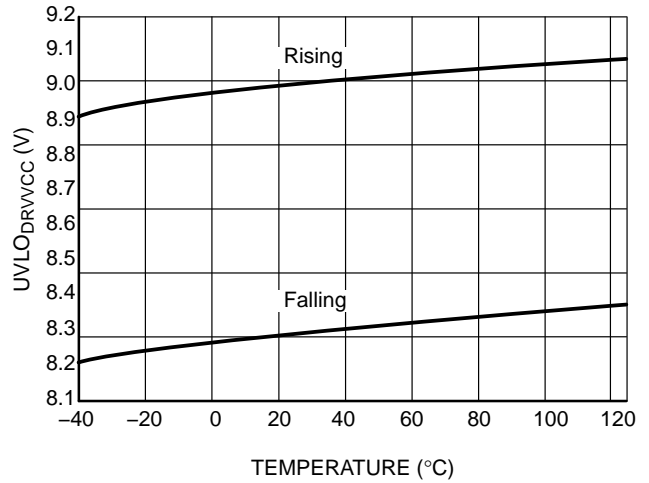


Figure 7.  $UVLO_{DRVCC}$

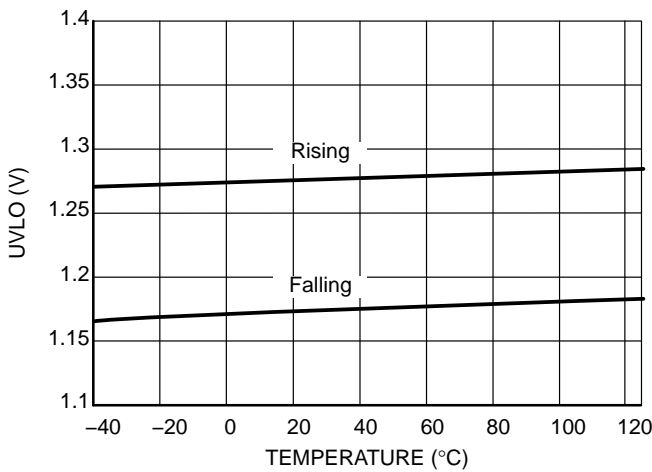


Figure 8. UVLO

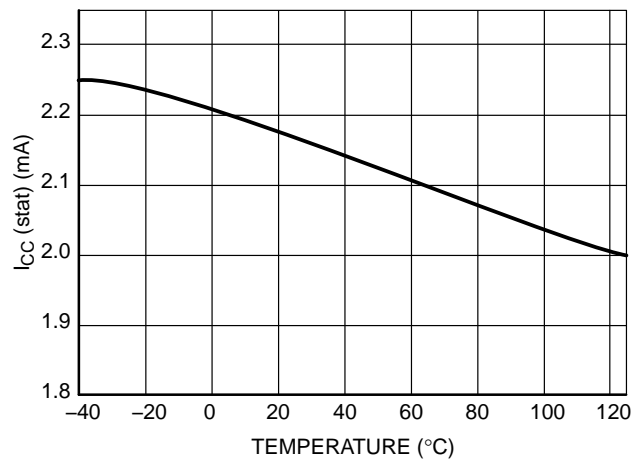


Figure 9.  $I_{CC} (Stat)$



TYPICAL OPERATING CHARACTERISTICS

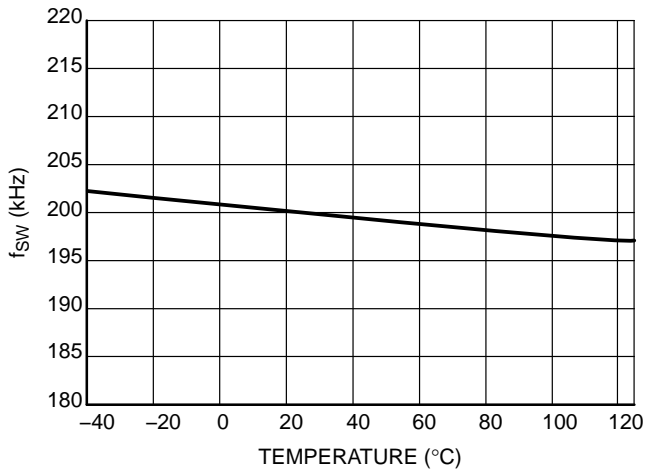


Figure 10. Switching Frequency @  $R_T = 20\text{ k}\Omega$

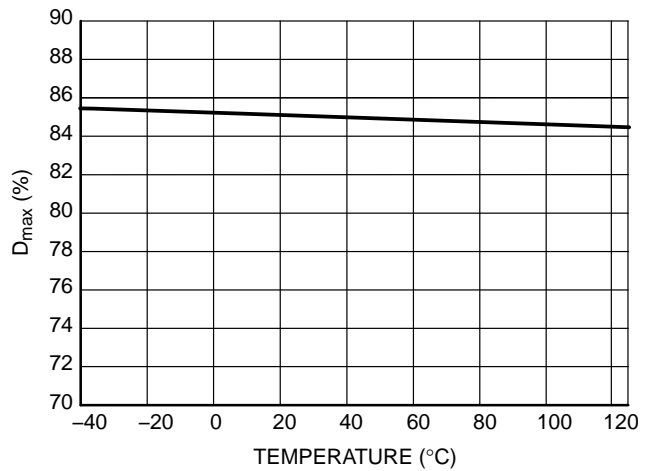


Figure 11. Maximum Duty Cycle @  $f = 400\text{ kHz}$

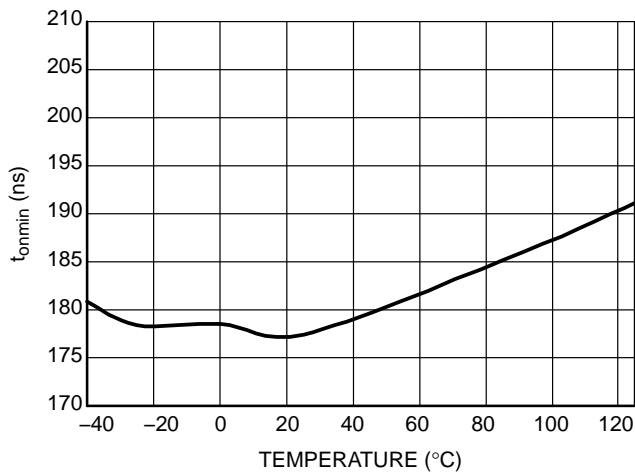


Figure 12. Minimum on Time

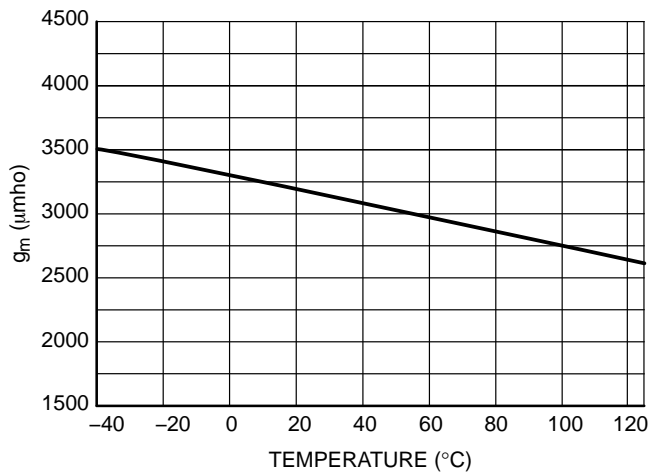


Figure 13. Error Amplifier Transconductance

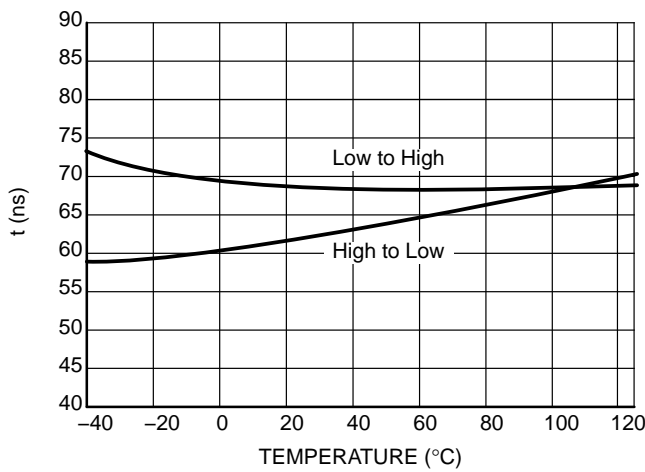


Figure 14. Deadtime

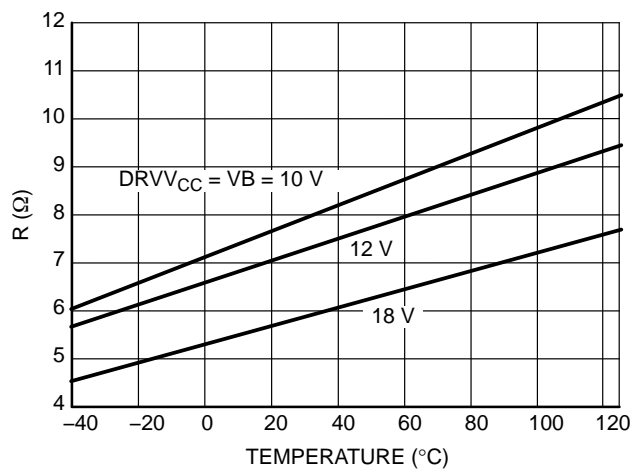


Figure 15. Driver Pullup Resistance

TYPICAL OPERATING CHARACTERISTICS

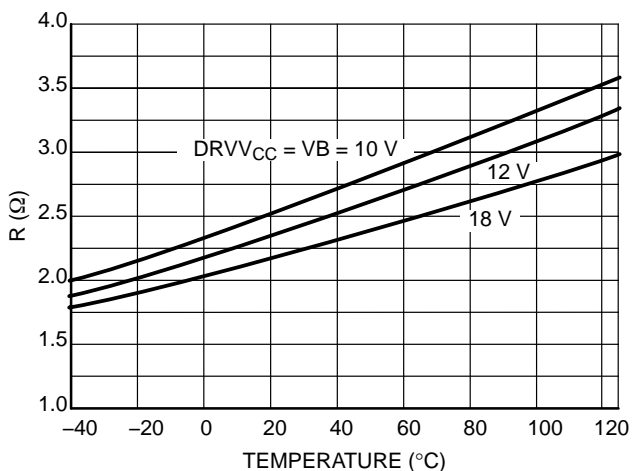


Figure 16. Driver Pulldown Resistance

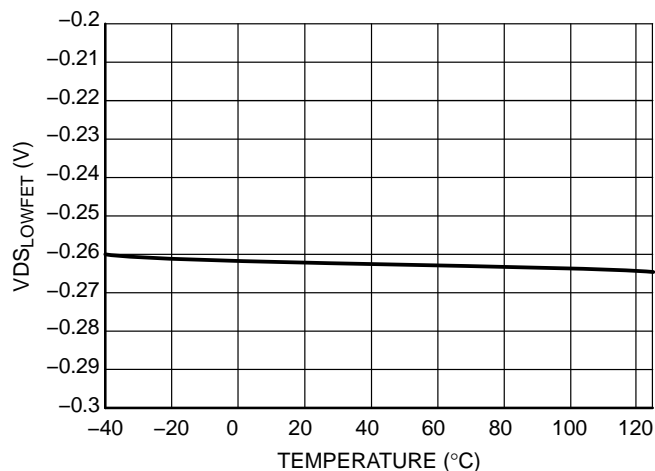


Figure 17. OCP @ R<sub>g</sub> = 10 kΩ, R<sub>ocin</sub> = 10 kΩ

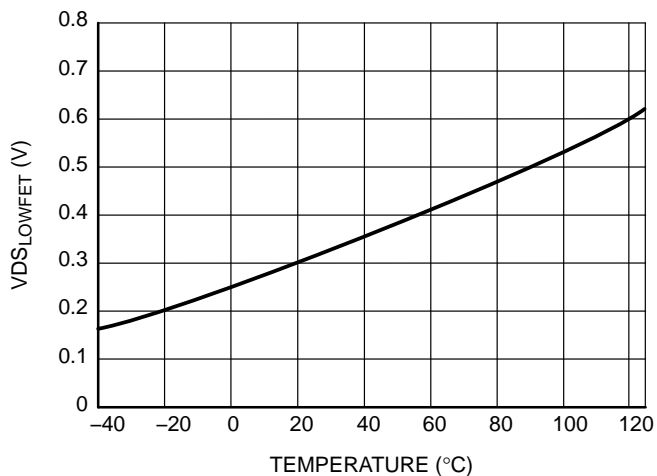


Figure 18. POSOCP @ R<sub>g</sub> = 10 kΩ, R<sub>ocin</sub> = 10 kΩ

APPLICATION INFORMATION

Undervoltage Lock-out

There are four undervoltage lock-out circuits. Two of them protect external high-side and low-side drivers, the third ensures that the IC does not start until V<sub>CC</sub> is under a set threshold. The last one can be programmed by the user. It has a rising threshold at 1.25 V and a falling threshold at 1.15 V, and the user can define the undervoltage level by an external resistor divider. If the voltage is not over the threshold value, the device stops operating. The high-side driver UVLO only stops switching the high-side MOSFET. Programmed falling and rising UVLO voltage can be calculated by Equations 1 and 2:

$$V_{UVLO,falling} = 1.15 \cdot \left(1 + \frac{R4}{R5}\right) \quad (\text{eq. 1})$$

and

$$V_{UVLO,rising} = 1.25 \cdot \left(1 + \frac{R4}{R5}\right) \quad (\text{eq. 2})$$

Shutdown

The output voltage can be disabled by pulling the SS/ $\overline{\text{SD}}$  pin below 0.3 V. A small transistor can be used to pull it down as shown in Figure 19. During this time, both external MOSFETs are turned off. After the SS/ $\overline{\text{SD}}$  pin is released, the IC starts its operation with a soft-start sequence.

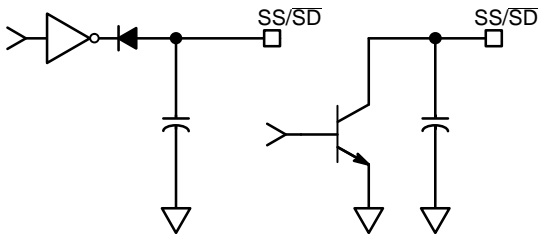


Figure 19. Shutdown Interface

Operating Frequency Selection

The operating frequency is set by an external resistor connected from the R<sub>t</sub> Pin to ground. The value of this resistor can be selected from Figure 20, which shows switching frequency versus the timing resistor value.

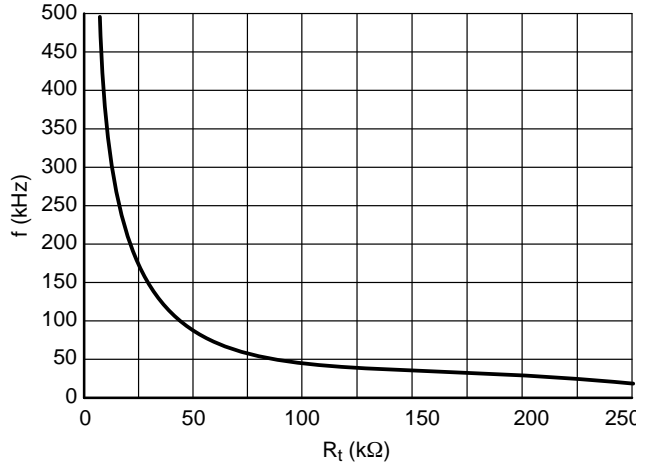


Figure 20. Frequency Dependence of R<sub>t</sub> Value

Frequency Synchronization

The NCV1034 can be synchronized to an external clock signal. The input synchronization signal should be a TTL logic level. The oscillator is synchronized to the rising edge of the synchronizing signal. When synchronization is used, the free running frequency must be set by the timing resistor to a frequency at least 80% of the external synchronization frequency (Example: R<sub>T</sub> = 20 kΩ / 200 kHz and external TTL = 220 kHz).

The NCV1034 can also output synchronization pulses on the SYNC pin. Pulses are generated when the internal oscillator ramp reaches the high threshold voltage. The frequency of these pulses is set by an external R<sub>T</sub> resistor. Up to five NCV1034 controllers can be connected directly to the SYNC pin, all of which are synchronized to the controller with the highest frequency. The lowest frequency must be at least 80% of the highest one.

The equivalent internal circuit of the Sync pin is shown in Figure 21.

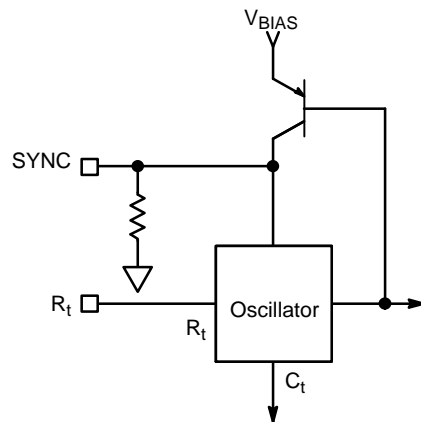


Figure 21. Equivalent Connection of the Sync Pin

Figure 22 shows the part with no synchronization. In this circuit the internal clock is fixed by the external timing resistor  $R_T$ . The SYNC pin can be tied to GND through a series resistor to prevent false triggering in a noisy environment.

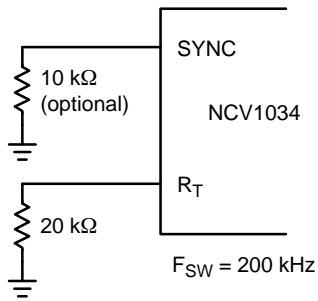


Figure 22. Fixed Frequency

Figure 23 shows the part synchronized to an external clock through the SYNC pin. The synchronization frequency can be up to 20% greater than the programmed fixed frequency (Example:  $R_T = 20\text{ k}\Omega / 200\text{ kHz}$  and the SYNC input frequency can range from 200–220 kHz). The clock frequency at the SYNC pin replaces the master clock generated by the internal oscillator circuit. Pulling the SYNC pin low programs the part to run freely at the frequency programmed by  $R_T$ . When pulling the SYNC pin low a 4.7 kΩ resistor should be used.

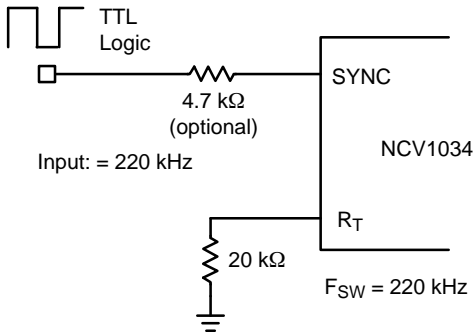


Figure 23. External Synchronization

Figure 24 shows the part operating in the master slave synchronization configuration. In this configuration all three parts are connected together through the SYNC pin in order to synchronize the system switching frequency. The  $R_T$  timing resistor can be the same value for all three parts ( $R_T = 20\text{ k}\Omega / 20\text{ k}\Omega / 20\text{ k}\Omega$ ) which would make the highest frequency part the master, or to guarantee one part is the master the timing resistor can be slightly lower in value. ( $R_T = 20\text{ k}\Omega / 22\text{ k}\Omega / 22\text{ k}\Omega$ )

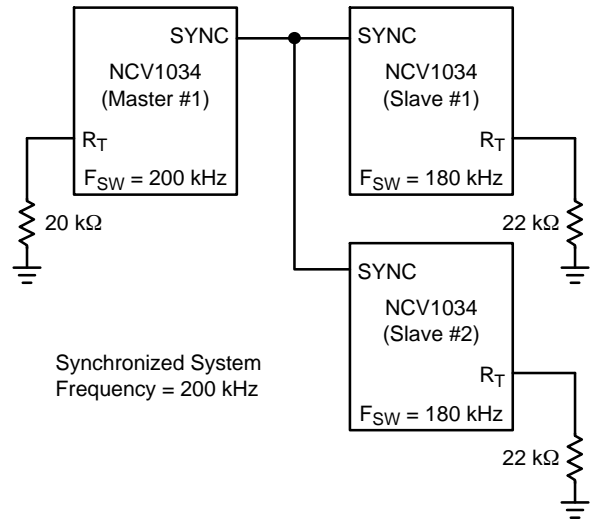


Figure 24. Master Slave Synchronization

**Output Voltage**

Output voltage can be set by an external resistor divider according to this Equation 3:

$$V_{OUT} = V_{ref} \cdot \left(1 + \frac{R1}{R2}\right) \quad (\text{eq. 3})$$

Where  $V_{ref}$  is the internal reference voltage 1.25 V. Absolute values of resistors R1 and R2 depend on compensation network type. See compensation paragraph for details.

**Inductor Selection**

The inductor selection is based on the output power, frequency, input and output voltage and efficiency requirements. High inductor values cause low current ripple, slower transient response, higher efficiency and increased size. Inductor design can be reduced to desire maximum current ripple in the inductor. It is good to have current ripple ( $\Delta I_{Lmax}$ ) between 20% and 50% of the output current.

For buck converter, the inductor should be chosen according to Equation 4.

$$L = \left(\frac{V_{OUT}}{f \cdot \Delta I_{Lmax}}\right) \left(1 - \frac{V_{OUT}}{V_{INmax}}\right) \quad (\text{eq. 4})$$

**Output Capacitor Selection**

The output voltage ripple and transient requirements determine the output capacitor type and value. The important parameter for the selection of the output capacitor is equivalent serial resistance (ESR). If the capacitor has low ESR, it often has sufficient capacity for filtering as well as an adequate RMS current rating.

The value of the output capacitor should be calculated using the following equation:

$$C_{OUT} \geq \frac{\Delta I_L}{8 \cdot f \cdot (\Delta V_{OUT} - \Delta I_L \cdot ESR)} \quad (\text{eq. 5})$$

For higher switching frequency, it is suitable to use multi-layer ceramic capacitor (MLCC) with very low ESR. The advantages are small size, low output voltage ripple and fast transient response. The disadvantage of MLCC type is the requirement to use a Type III compensation network.

### Input Capacitor Selection

The input capacitor is used to supply current pulses while high-side MOSFET is on. When the MOSFET is off, the input capacitor is being charged. The value of this capacitor can be selected with Equation 6:

$$C_{IN} \geq \frac{I_{OUT} \cdot \frac{V_{OUT}}{V_{IN}} \cdot \left(1 - \frac{V_{OUT}}{V_{IN}}\right)}{f \cdot \Delta V_{IN}} \quad (\text{eq. 6})$$

Where  $\Delta V_{IN}$  is the input voltage ripple and the recommended value is about 2% – 5% of  $V_{IN}$ . The input capacitor must be large enough to handle the input ripple current. Its value should be calculated using Equation 7:

$$I_{RMS} = I_{OUT} \cdot \sqrt{\frac{V_{OUT} \cdot \left(1 - \frac{V_{OUT}}{V_{IN}}\right)}{V_{IN}}} \quad (\text{eq. 7})$$

### Power MOSFET Selection

The NCV1034 uses two N-channel MOSFET's. They can be primary selected by  $R_{DS(on)}$ , maximum drain-to-source voltage and gate charge.  $R_{DS(on)}$  impacts conductive losses and gate charge impacts switching losses. The low side MOSFET is selected primarily for conduction losses, and the high-side MOSFET is selected to reduce switching losses especially when the output voltage is less than 30% of the input voltages. The drain-to-source breakdown voltage must be higher than the maximum input voltage. Conductive power losses can be calculated using the Equations 8 and 9:

$$P_{COND-HIGHFET} = I_{OUT}^2 \cdot R_{DS(on)} \cdot \frac{V_{OUT}}{V_{IN}} \quad (\text{eq. 8})$$

$$P_{COND-LOWFET} = I_{OUT}^2 \cdot R_{DS(on)} \cdot \left(1 - \frac{V_{OUT}}{V_{IN}}\right) \quad (\text{eq. 9})$$

Switching losses are depended on drain-to-source voltage at turn-off state, output current and switch-on and switch-off time as is shown by Equation 10.

$$P_{SW} = \frac{V_{DS(off)}}{2} \cdot (t_{ON} + t_{OFF}) \cdot f \cdot I_{OUT} \quad (\text{eq. 10})$$

$t_{ON}$  and  $t_{OFF}$  times are dependent on the transistor gate. The MOSFET output capacitance loss is caused by the charging and discharging during the switching process and can be computed using Equation 11.

$$P_{COSS} = \frac{C_{OSS} \cdot V_{IN}^2 \cdot f}{2} \quad (\text{eq. 11})$$

Where  $C_{OSS} = C_{DS} + C_{GS}$ .

Significant power dissipation is caused by the reverse recovery charge in the low-side MOSFET body diode, which conducts at dead time. This charge is needed to close the diode. The current from the input power supply flows through the high-side MOSFET to the low-side MOSFET body diode. This power dissipation can be calculated using Equation 12.

$$P_{QRR} = Q_{RR} \cdot V_{IN} \cdot f \quad (\text{eq. 12})$$

$Q_{RR}$  is the diode recovery charge as given in the manufacturer's datasheet. For some types of MOSFETs, this dissipation may be dominant at high input voltages. It is necessary to take care when selecting a MOSFET. An external Schottky diode across the low-side MOSFET can be used to eliminate the reverse recovery charge power loss. The Schottky diode's forward voltage should be lower than that of the body diode, and reverse recovery time ( $t_{rr}$ ) should be lower than that of the body diode. The Schottky diode's capacitance loss can be calculated as shown in Equation .

$$P_{C(Schottky)} = \frac{C_{Schottky} \cdot V_{IN}^2 \cdot f}{2} \quad (\text{eq. 13})$$

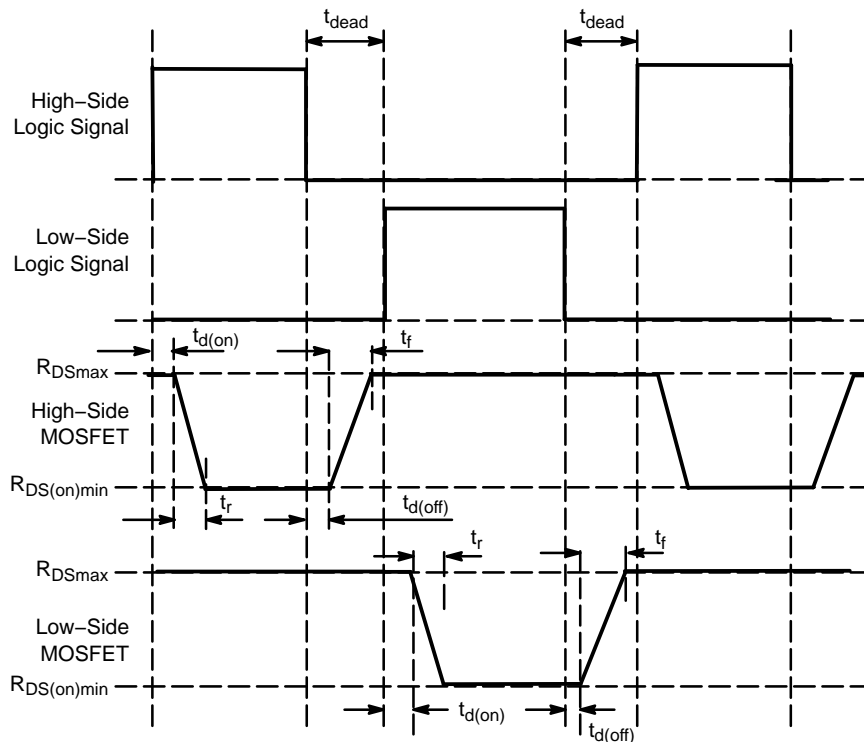


Figure 25. MOSFETs Timing Diagram

MOSFETs delays, turn-on and turn-off times must be short enough to prevent cross conduction. If not, there will be cross conduction from the input through both MOSFETs to ground. Due to this fact, the following conditions must be true:

$$\begin{aligned} t_{d(on)high} + t_{dead} &> t_{d(off)low} + t_{f low} \\ t_{d(on)low} + t_{dead} &> t_{d(off)high} + t_{f high} \end{aligned} \quad (\text{eq. 14})$$

Where  $t_{dead}$  is the controller dead band time,  $t_{d(on)}$ ,  $t_r$ ,  $t_{d(off)}$  and  $t_f$  are MOSFETs parameters. These parameters can be found in the datasheet for specific conditions.

It is NOT recommended to add external resistor or other circuit on MOSFETs' gates to slow-down their turn-off. If gate resistance is a must, please make sure the above condition in eq. 14 is still satisfied to avoid cross conduction.

**Bootstrap Circuit**

This circuit is used to obtain a voltage higher than the input voltage in order to switch-on high side N MOSFET. The bootstrap capacitor is charged from the IC's supply voltage through D1, when the low side MOSFET is switched-on up to the IC's supply voltage. It must have enough capacity to supply power for the high-side circuit when the high-side MOSFET is being switched on. The minimum value recommended for the bootstrap capacitor is 100 nF. Diode D1 has to be designed to withstand a reverse voltage given by the following equation:

$$D1_{VRmin} = V_{IN} - V_{CC} \quad (\text{eq. 15})$$

**Soft-Start**

The soft-start time is set by capacitor connected between SS/ $\overline{SD}$  Pin and ground. This function is used for controlling

the output voltage slope and limiting startup currents. The start-up sequence initiates when Power On Ready (POR) internal signal rises to logic high level. That means the supply voltage, low side drive supply voltage and external UVLO are over the set thresholds. The soft-start capacitor is charged by 20  $\mu$ A current source. If POR is low, the SS/ $\overline{SD}$  Pin is internally pulled to GND, which means that the NCV1034 is in a shutdown state. The SS/ $\overline{SD}$  Pin voltage (0 V to 2.6 V) controls internal current source (64  $\mu$ A to 0  $\mu$ A) with negative linear characteristic. This current source injects current into the resistor (25 k $\Omega$ ) connected between the Fb pin and negative input of the error amplifier and into the external feedback resistor network. Voltage drop on these resistors is over 1.6 V, which is enough to force the error amplifier into negative saturation state and to block switching.

When the soft-start pin reaches around 1.2 V (exact value depends on feedback and compensation network and on soft-start capacitor; a larger soft-start capacitor and a lower compensation capacity decrease this level) the IC starts switching. The impact of controlled current source decreases and the output voltage starts to rise. When the soft-start capacitor voltage reaches 2.6 V, the output voltage is at nominal value.

The soft-start time must be at least 10 times longer than the time needed to charge the compensation network from the output of the error amplifier. If the soft-start time is not long enough, the soft-start sequence would be faster than the charging compensation network and the IC would start without slowly increasing the output voltage. The soft-start capacitance can be calculated using Equation 16.

# NCV1034

$$C_{SS} = 15 \cdot 10^{-6} \cdot T_{SS} \quad (\text{eq. 16})$$

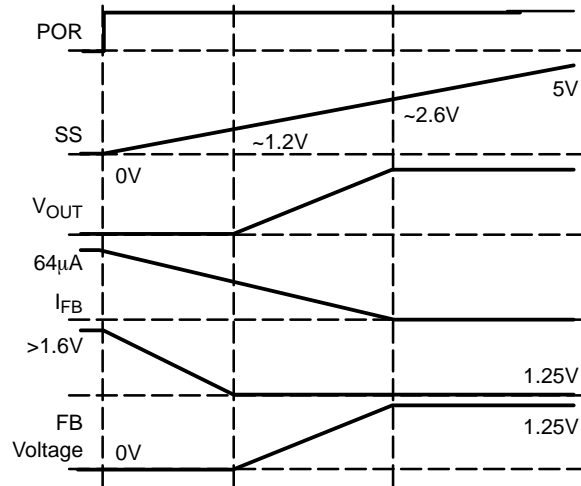


Figure 26. Soft-Start

### Start to Prebiased Output

The NCV1034 is able to startup into a prebiased output capacitor. The low-side MOSFET does not turn on before high-side MOSFET gets the first turn-on pulse. During this

time, the energy is not discharged by the low-side MOSFET until the soft-start sequence crosses the programmed output voltage.

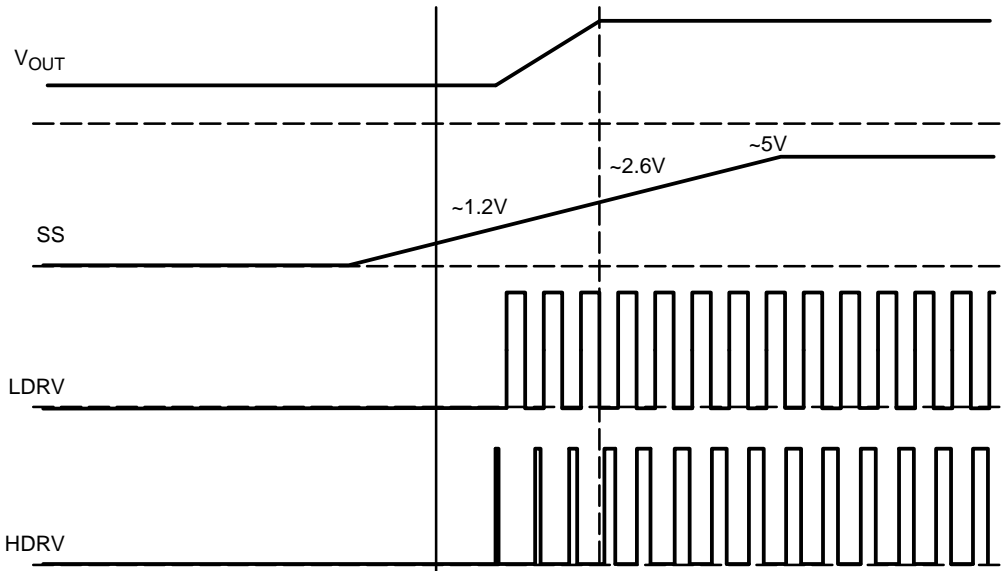


Figure 27. Startup to Prebiased Output

### Overcurrent Protection

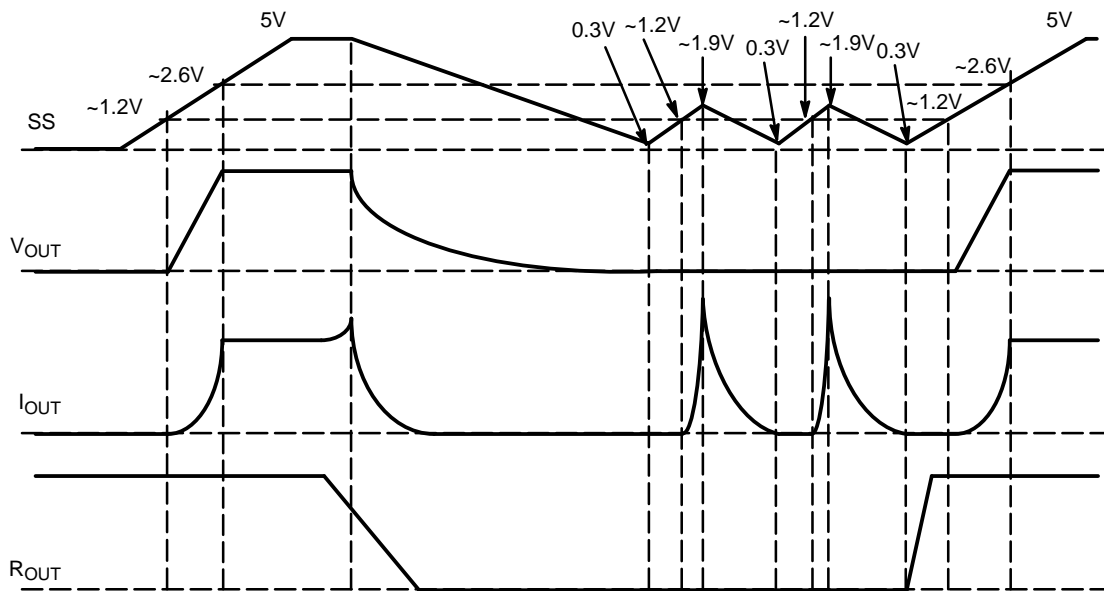
The voltage drop across the low side MOSFET  $R_{DS(on)}$  is connected through resistor R8 and into the IC through pin 13  $OC_{in}$ . Within the IC, this value is compared with the value programmed by resistor R7 to set the overcurrent limit. The programmed current limit is set by selecting the value of R7, which is connected between pin 1  $OC_{set}$  and GND. If the voltage drop is larger than the set value, the NCV1034 goes into hiccup mode. During this time, both external MOSFETs

are turned off and the soft start capacitor is discharged with a current equal to 5% of the charging current. The capacitor continues to discharge until the voltage reaches 0.25 V, and then the IC initiates a standard soft start sequence.

The recommended value for the protection resistor R8 is 10 kΩ. The R7 resistance value can be calculated using Equation 17:

$$R_7 = \frac{R_8}{3.56 \cdot R_{DS(on)} \cdot I_{pk}} \quad (\text{eq. 17})$$

## NCV1034



**Figure 28. Overcurrent Protection (Hi-Cup Mode)**

The NCV1034 provides protection of the low-side MOSFET against positive overcurrent (from output to this MOSFET). Its value can be calculated using Equation 18:

$$I_{Pos} = \frac{5125 - 0.184 \cdot R8 \cdot 1.25}{R7 \cdot R_{DS(on)}} \quad (\text{eq. 18})$$

NCV1034's overcurrent protection threshold could be affected by external circuits and PCB layout. Please pay attention to the following:

- ◆ Do not slow down the low-side MOSFET turning-on by any resistance or other circuit on its gate. About 80 ns after the rising edge of LDRV pin, the NCV1034 overcurrent protection function starts. If the low-side MOSFET hasn't been fully turned-on then, the overcurrent protection may be falsely triggered, even at very low load current.
- ◆ OCin trace layout  
The OCin trace, between OCin pin and R8, is a high impedance node. Any noise coupling to it may falsely trigger overcurrent protection. Please avoid any noise source near this OCin trace, such as VS, VB, HDRV and LDRV nodes. Any capacitance on the OCin pin impacts the overcurrent protection threshold as well. Therefore, it is not recommended.
- ◆ The voltage difference between PGND pin and low-side MOSFET source pin affects overcurrent protection threshold. As shown in Figure 2, the overcurrent comparator input pin OCin is reference to PGND pin. Therefore, the overcurrent protection threshold should factor in the voltage difference between the external MOSFET's source pins and the NCV1034's PGND pin.

- ◆ fix R8 = 10 kΩ

As shown in Eq. 17 and Eq. 18, R8 resistance affects overcurrent limit threshold and positive overcurrent limit threshold in opposite directions. To simplify the design, please fix R8 at 10 kΩ as possible, and use R7 to program overcurrent limit threshold.

### Compensation Circuit

The NCV1034 is a voltage mode buck convertor with a transconductance error amplifier compensated by an external compensation network. Compensation is needed to achieve accurate output voltage regulation and fast transient response. The goal of the compensation circuit is to provide a loop gain function with the highest crossing frequency and adequate phase margin (minimally 45°).

The transfer function of the power stage (the output LC filter) is a double pole system. The resonance frequency of this filter is expressed as follows:

$$f_{P0} = \frac{1}{2 \cdot \pi \cdot \sqrt{L \cdot C_{OUT}}} \quad (\text{eq. 19})$$

One zero of this LC filter is given by the output capacitance and output capacitor ESR. Its value can be calculated by using the following equation:

$$f_{Z0} = \frac{1}{2 \cdot \pi \cdot C_{OUT} \cdot ESR} \quad (\text{eq. 20})$$

The next parameter that must be chosen is the zero crossover frequency  $f_0$ . It can be chosen to be 1/10 – 1/5 of the switching frequency. These three parameters show the necessary type of compensation that can be selected from Table 1.



Table 1. COMPENSATION TYPES

| Zero Crossover Frequency Condition | Compensation Type        | Typical Output Capacitor Type |
|------------------------------------|--------------------------|-------------------------------|
| $f_{P0} < f_{Z0} < f_0 < f_S/2$    | Type II (PI)             | Electrolytic, Tantalum        |
| $f_{P0} < f_0 < f_{Z0} < f_S/2$    | Type III (PID) Method I  | Tantalum, Ceramic             |
| $f_{P0} < f_0 < f_S/2 < f_{Z0}$    | Type III (PID) Method II | Ceramic                       |

**Compensation Type II (PI)**

This compensation is suitable for low-cost electrolytic capacitor. The zero created by the capacitor’s ESR is a few kHz and the zero crossover frequency is chosen to be 1/10 of the switching frequency. Components of the PI compensation (Figure 29) network can be specified by the following equations:

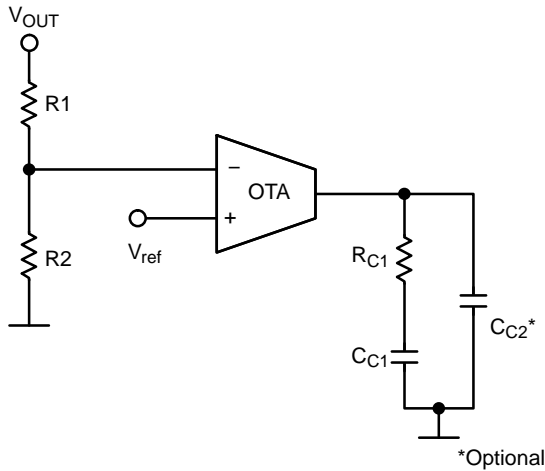


Figure 29. PI compensation (II Type)

$$R_{C1} = \frac{2 \cdot \pi \cdot f_0 \cdot L \cdot V_{RAMP} \cdot V_{OUT}}{ESR \cdot V_{IN} \cdot V_{ref} \cdot gm}$$

$$C_{C1} = \frac{1}{0.75 \cdot 2 \cdot \pi \cdot f_{P0} \cdot R_{C1}} \tag{eq. 21}$$

$$C_{C2} = \frac{1}{\pi \cdot R_{C1} \cdot f_S}$$

$$R1 = \frac{V_{OUT} - V_{ref}}{V_{ref}} \cdot R2$$

$V_{RAMP}$  is the peak-to-peak voltage of the oscillator ramp and  $gm$  is the transconductance error amplifier gain. Capacitor  $C_{C2}$  is optional.

**Compensation Type III (PID)**

Tantalum and ceramics capacitors have lower ESR than electrolytic, so the zero of the output LC filter goes to a higher frequency above the zero crossover frequency. This

situation needs to be compensated by the PID compensation network that is show in Figure 30.

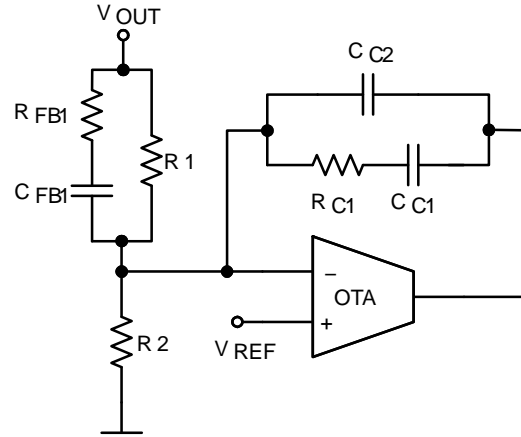


Figure 30. PID Compensation (III Type)

There are two methods to select the zeros and poles of compensation network. The first one (method I) is useable for tantalum output capacitors, which have a higher ESR than ceramic, and its zeros and poles can be calculated shown below:

$$f_{Z1} = 0.75 \cdot f_{P0}$$

$$f_{Z2} = f_{P0}$$

$$f_{P2} = f_{Z0}$$

$$f_{P3} = \frac{f_S}{2}$$

$$\tag{eq. 22}$$

The second one (method II) is for ceramic capacitors:

$$f_{Z2} = f_0 \cdot \sqrt{\frac{1 - \sin \theta_{max}}{1 + \sin \theta_{max}}}$$

$$f_{P2} = f_0 \cdot \sqrt{\frac{1 + \sin \theta_{max}}{1 - \sin \theta_{max}}}$$

$$f_{Z1} = 0.5 \cdot f_{Z2}$$

$$f_{P3} = 0.5 \cdot f_S$$

$$\tag{eq. 23}$$

The remaining calculations are the same for both methods.

$$R_{C1} \gg \frac{2}{gm}$$

$$C_{C1} = \frac{1}{2 \cdot \pi \cdot f_{Z1} \cdot R_{C1}}$$

$$C_{C2} = \frac{1}{2 \cdot \pi \cdot f_{P3} \cdot R_{C1}}$$

$$C_{FB1} = \frac{2 \cdot \pi \cdot f_0 \cdot L \cdot V_{RAMP} \cdot C_{OUT}}{V_{IN} \cdot R_{C1}} \quad (\text{eq. 24})$$

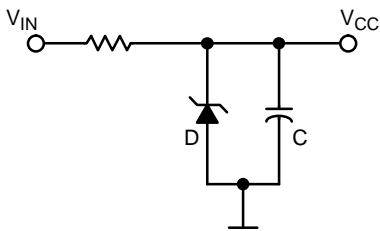
$$R_{FB1} = \frac{1}{2\pi \cdot C_{FB1} \cdot f_{P2}}$$

$$R1 = \frac{1}{2 \cdot \pi \cdot C_{FB1} \cdot f_{Z2}} - R_{FB1}$$

$$R2 = \frac{V_{ref}}{V_{OUT} - V_{ref}} \cdot R1$$

To check the design of this compensation network, the equation must be true

$$\frac{R1 \cdot R2 \cdot R_{FB1}}{R1 \cdot R_{FB1} + R2 \cdot R_{FB1} \cdot R1 \cdot R2} > \frac{1}{gm} \quad (\text{eq. 25})$$



**Figure 31. Linear Shunt Voltage Regulator**

For the linear shunt voltage regulator (option a) the  $V_{CC}$  voltage is the same as the zener diode reverse voltage  $V_Z$ . The value of the resistor R can be calculated using Equation 28, where  $I_{ZT}$  is the minimum reverse current at  $V_Z$ . The value selected should be lower than the calculated value. The maximum power losses of resistor R and the zener diode D can be calculated by Equations 29 and 30.

$$R < \frac{V_{INmin} - V_{CC}}{I_{CS} + I_{CD} + I_{ZT}} \quad (\text{eq. 28})$$

$$P_R = (V_{INmax} - V_{CC}) \cdot (I_{CS} + I_{CD}) \quad (\text{eq. 29})$$

$$P_D = \left( \frac{V_{INmax} - V_{CC}}{R} - I_{CS} \right) \quad (\text{eq. 30})$$

The shunt voltage regulator with transistor (option b) is advantageous when the zener diode loss is too high or when input voltage varies across a wide range and it is difficult to set a bias point. The output voltage is lower than  $V_Z$  due to

If it is not true, then a higher value of  $R_{C1}$  must be selected.

**Input Power Supply**

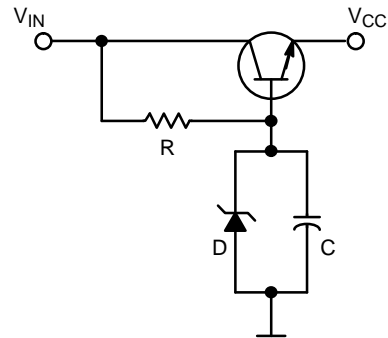
The NCV1034 controller and built-in drivers need to be powered through  $V_{CC}$ ,  $DRV_{CC}$  and  $V_b$  pins with a voltage between 10 V – 18 V. The supply current requirement is a summation of the static and dynamic currents. Static current consumption can be calculated by the following equation:

$$I_{CS} = I_{CC} + I_C + I_B \quad (\text{eq. 26})$$

Dynamic current consumption is calculated using the following equation, base on the switching frequency and MOSFET gate charge.

$$I_{CD} = (Q_{G(low)} + Q_{G(high)}) \cdot f \quad (\text{eq. 27})$$

To power the device, an external power supply or voltage regulator from  $V_{IN}$  can be used. Two options are a linear shunt voltage regulator and a shunt voltage regulator with transistor, as shown in Figure 31. A voltage regulator without a transistor can be used when the power consumption is low and zener diode power dissipation is acceptable. Otherwise, a shunt regulator with transistor can be used.



**Figure 32. Shunt Voltage Regulator with Transistor**

the  $V_{BE}$  of the transistor. The maximum resistor value of R can be calculated by Equation 31, where  $\beta$  is the transistor DC current gain. The maximum power dissipation of the resistor, zener diode and transistor are calculated by Equations 32 to 34. The transistor reverse breakdown voltage must be selected to be able to withstand the voltage difference between maximum input voltage and  $V_{CC}$ .

$$R < \frac{V_{INmin} - V_{ZT}}{\frac{I_{CS} + I_{CD}}{\beta} + I_{ZT}} \quad (\text{eq. 31})$$

$$P_R = (V_{INmax} - V_{CC}) \cdot \left( \frac{I_{CS} + I_{CD}}{\beta} + I_{ZT} \right) \quad (\text{eq. 32})$$

$$P_D = \left( \frac{V_{INmax} - V_{ZT}}{R} - \frac{I_{CS}}{\beta} \right) \cdot V_{ZT} \quad (\text{eq. 33})$$

$$P_D = \left( \frac{V_{INmax} - V_{ZT}}{R} - \frac{I_{CS}}{\beta} \right) \cdot V_{ZT} \quad (\text{eq. 34})$$

$$P_T = (V_{INmax} - V_{CC}) \cdot (I_{CS} + I_{CD}) \quad (\text{eq. 35})$$

Table 2. POWER SUPPLY REGULATOR EXAMPLES

| Components | MOSFETs  | Q <sub>G(TOT)</sub> (nC) | f (kHz) | V <sub>INmax</sub> (V) | V <sub>INmin</sub> (V) | I <sub>SUPPLYmax</sub> (mA) | R <sub>BIAS</sub> (kΩ) | ZD       | Transistor |
|------------|----------|--------------------------|---------|------------------------|------------------------|-----------------------------|------------------------|----------|------------|
| LS-FET     | NTD24N06 | 24                       | 200     | 60                     | 36                     | 8.7                         | 2.6                    | MMSZ4699 | -          |
| HS-FET     | NTD3055  | 7.1                      |         |                        |                        |                             |                        |          |            |
| LS-FET     | NTD24N06 | 24                       | 300     | 60                     | 20                     | 16.9                        | 10                     | MMSZ4699 | MJD31      |
| HS-FET     | NTD24N06 | 24                       |         |                        |                        |                             |                        |          |            |

**PCB Layout**

The layout of high-frequency and high-current switching converters has a large impact on the circuit parameters. It is important, therefore, to pay close attention to the PCB layout.

The input capacitor, MOSFETs, inductor and output capacitor should be placed as close as possible to one another. This is suitable to reduce EMI and to minimize VS overshoots. Connecting the signal and power ground at one

point near the output connector improves load regulation. Connection between the source pin of the low side MOSFET and the IC should be very short with wide traces and optimally using two layers to achieve minimum inductance between them.

The blocking and bootstrap capacitors should be placed as close as possible to the IC. The feedback and compensation network should be close to the IC to minimize noise.

**TYPICAL APPLICATION**

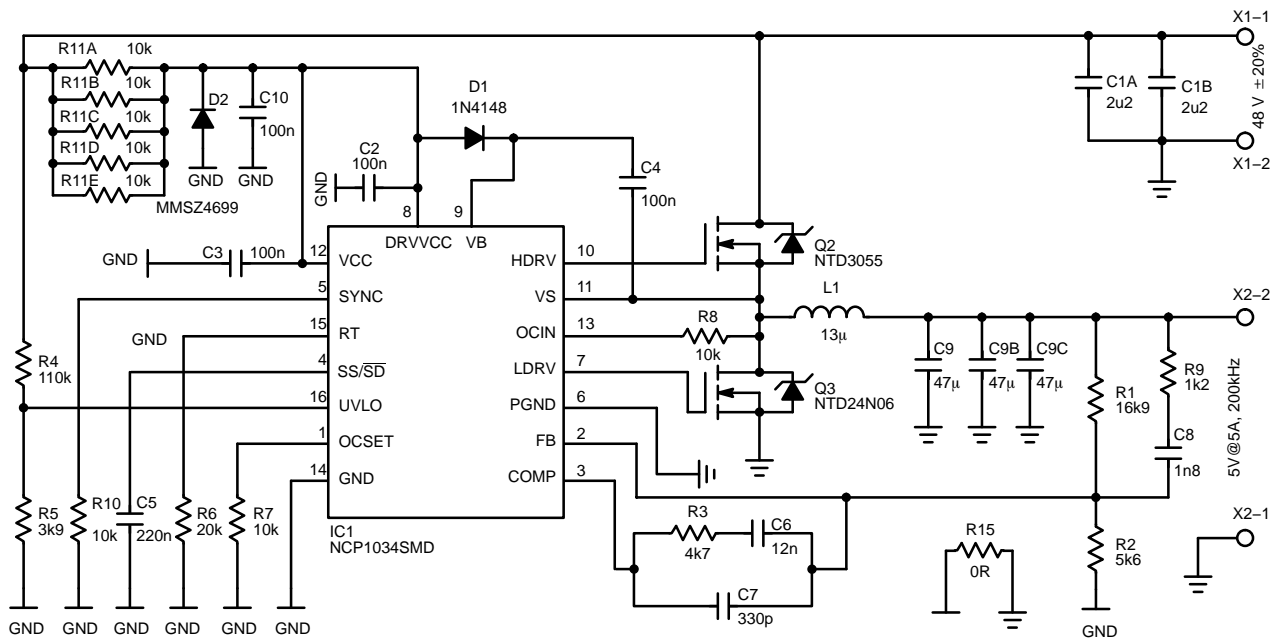


Figure 33. Single Output Buck Converter from 38 V – 58 V to 5 V/5 A @ 200 kHz

# NCV1034

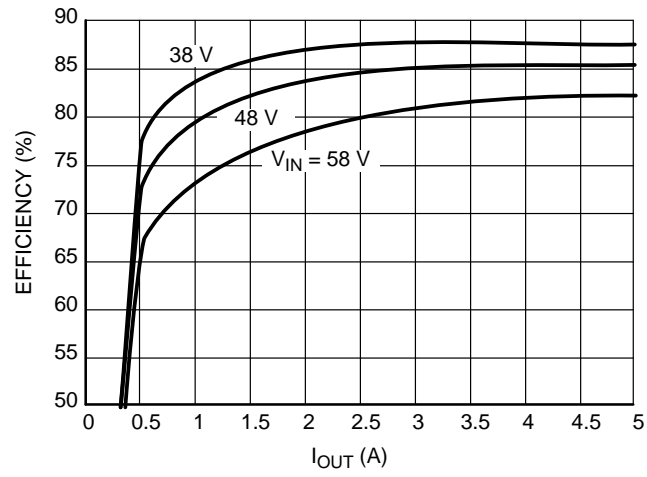


Figure 34. Efficiency and Power Loss of Circuit at Figure 33

# NCV1034

## Bill of Materials

| Designator                         | Qty | Description                     | Value           | Tolerance | Footprint | Manufacturer     | Manufacturer Part Number |
|------------------------------------|-----|---------------------------------|-----------------|-----------|-----------|------------------|--------------------------|
| R9                                 | 1   | Resistor                        | 1k2             | 1%        | 1206      | Vishay           | CRCW10261K20FKEA         |
| R5                                 | 1   | Resistor                        | 3k9             | 1%        | 1206      | Vishay           | CRCW10263K90FKEA         |
| R3                                 | 1   | Resistor                        | 4k7             | 1%        | 1206      | Vishay           | CRCW10264K60FKEA         |
| R2                                 | 1   | Resistor                        | 5k6             | 1%        | 1206      | Vishay           | CRCW10265K60FKEA         |
| R1                                 | 1   | Resistor                        | 16k9            | 1%        | 1206      | Vishay           | CRCW102616K9FKEA         |
| R6                                 | 1   | Resistor                        | 20k             | 1%        | 1206      | Vishay           | CRCW102620K0FKEA         |
| R11A, R11B,<br>R11C, R11D,<br>R11E | 5   | Resistor                        | 12k             | 1%        | 1206      | Vishay           | CRCW102612K0FKEA         |
| R4                                 | 1   | Resistor                        | 110k            | 1%        | 1206      | Vishay           | CRCW1206110KFKEA         |
| R7, R8, R10                        | 3   | Resistor                        | 10k             | 1%        | 1206      | Vishay           | CRCW120610K0FKEA         |
| C8                                 | 1   | Ceramic Capacitor               | 1n8             | 10%       | 1206      | Kemet            | C1206C182K5FA-TU         |
| C6                                 | 1   | Ceramic Capacitor               | 12n             | 10%       | 1206      | Kemet            | C1206C123K5FACTU         |
| C5                                 | 1   | Ceramic Capacitor               | 220n            | 10%       | 1206      | Kemet            | C1206C224K5RACTU         |
| C7                                 | 1   | Ceramic Capacitor               | 330p            | 10%       | 1206      | Kemet            | -                        |
| C2, C3, C4, C10                    | 4   | Ceramic Capacitor               | 100n            | 10%       | 1206      | Kemet            | C1206F104K1RACTU         |
| C9A, C9B, C9C                      | 3   | Ceramic Capacitor               | 47 $\mu$ /6.3V  | 20%       | 1210      | Kemet            | C1210C476M9PAC7800       |
| C1A, C1B                           | 2   | Ceramic Capacitor               | 2.2 $\mu$ /100V | 10%       | 1210      | Murata           | GRM32ER72A225KA35L       |
| L1                                 | 1   | Inductor SMD                    | 13 $\mu$        | 20%       | 13x13     | Würth            | 744355131                |
| D1                                 | 1   | Switching Diode                 | MMSD4148        | -         | SOD123    | ON Semiconductor | MMSD4148T1G              |
| D2                                 | 1   | Zener Diode 12V                 | MMSZ4699        | -         | SOD123    | ON Semiconductor | MMSZ4699T1G              |
| Q2                                 | 1   | Power N-MOSFET                  | NTD3055         | -         | DPAK      | ON Semiconductor | NTD3055-150G             |
| Q3                                 | 1   | Power N-MOSFET                  | NTD24N06        | -         | DPAK      | ON Semiconductor | NTD24N06T4G              |
| IO1                                | 1   | Synchronous PWM Buck Controller | NCV1034         | -         | SOIC16    | ON Semiconductor | NCV1034DR2G              |

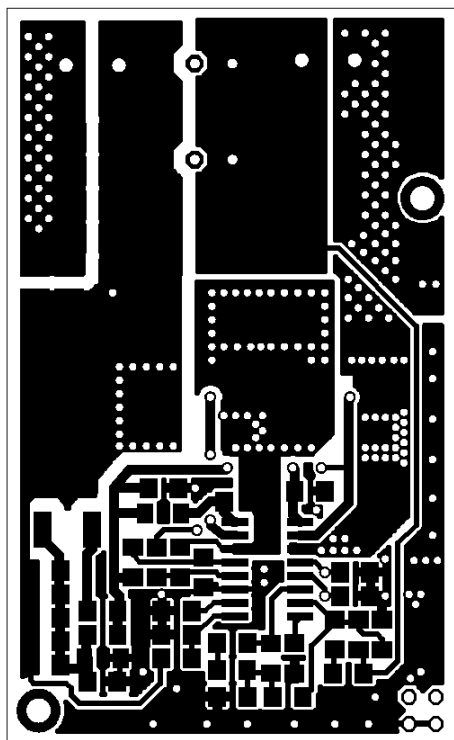


Figure 35. Top Layer

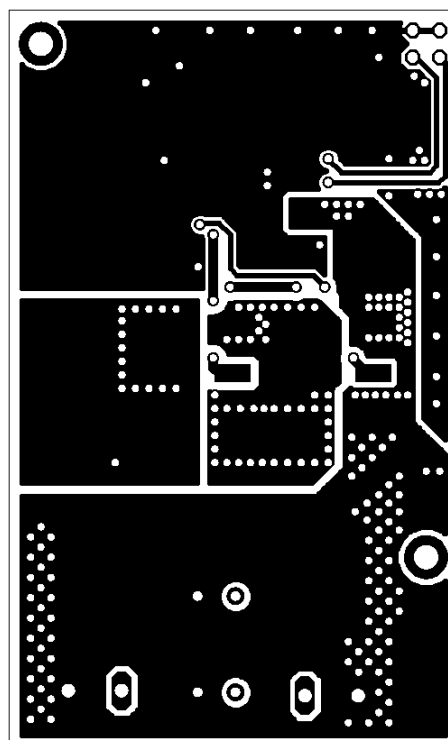


Figure 36. Bottom Layer

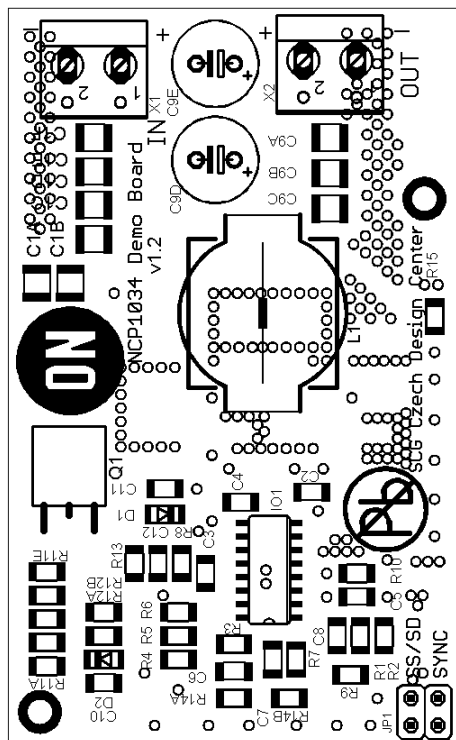


Figure 37. Top Side Components

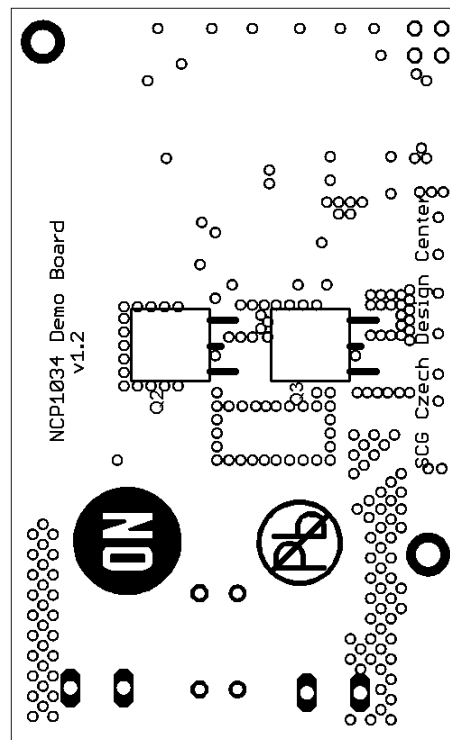


Figure 38. Bottom Side Components

# NCV1034

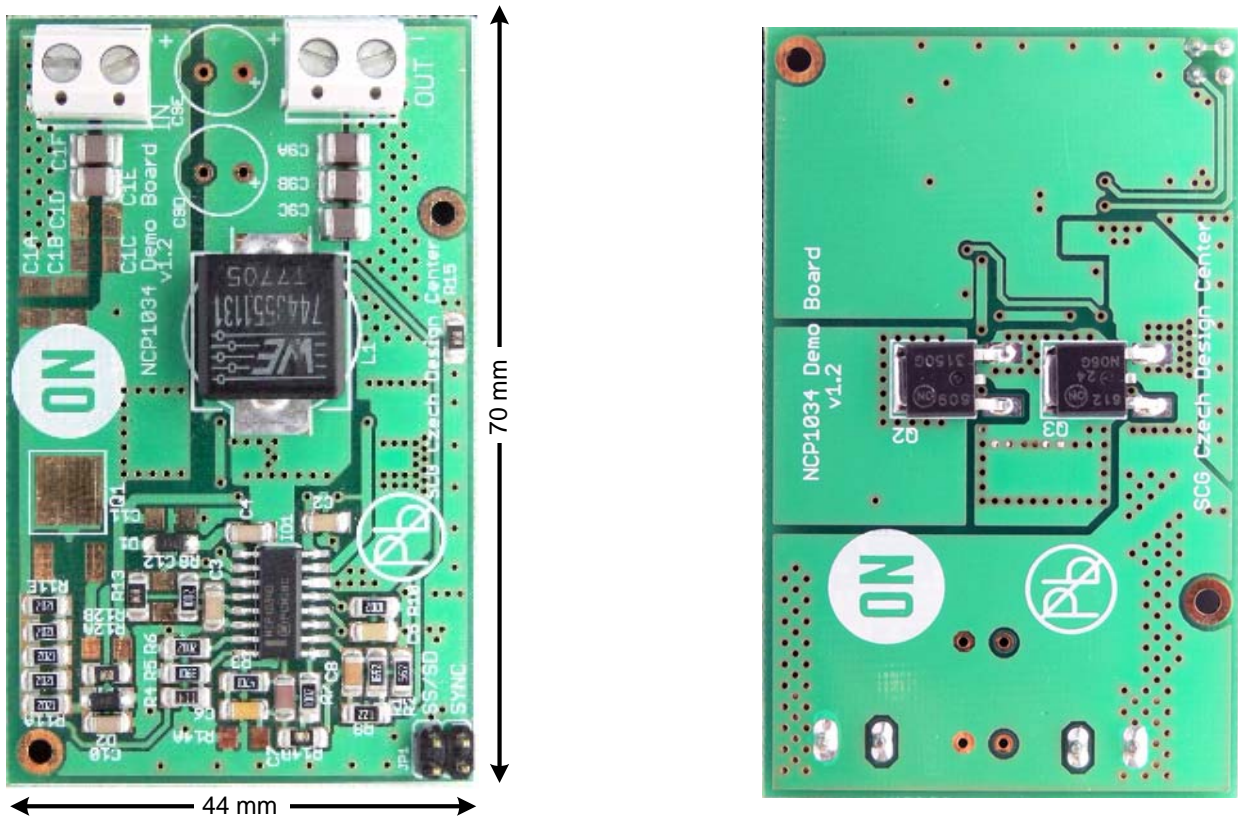


Figure 39. Typical Application Board Photos

## ORDERING INFORMATION

| Device       | Package | Shipping† |
|--------------|---------|-----------|
| NCV1034DR2G* |         |           |

†For information on tape and reel specifications, including part orientation and tape sizes, please refer to our Tape and Reel Packaging Specifications Brochure, BRD8011/D.

\*NCV Prefix for Automotive and Other Applications Requiring Unique Site and Control Change Requirements; AEC-Q100 Qualified and PPAP Capable.

# MECHANICAL CASE OUTLINE PACKAGE DIMENSIONS

ON Semiconductor®



SCALE 1:1

## SOIC-16 CASE 751B-05 ISSUE K

DATE 29 DEC 2006



NOTES:

1. DIMENSIONING AND TOLERANCING PER ANSI Y14.5M, 1982.
2. CONTROLLING DIMENSION: MILLIMETER.
3. DIMENSIONS A AND B DO NOT INCLUDE MOLD PROTRUSION.
4. MAXIMUM MOLD PROTRUSION 0.15 (0.006) PER SIDE.
5. DIMENSION D DOES NOT INCLUDE DAMBAR PROTRUSION. ALLOWABLE DAMBAR PROTRUSION SHALL BE 0.127 (0.005) TOTAL IN EXCESS OF THE D DIMENSION AT MAXIMUM MATERIAL CONDITION.

| DIM | MILLIMETERS |       | INCHES    |       |
|-----|-------------|-------|-----------|-------|
|     | MIN         | MAX   | MIN       | MAX   |
| A   | 9.80        | 10.00 | 0.386     | 0.393 |
| B   | 3.80        | 4.00  | 0.150     | 0.157 |
| C   | 1.35        | 1.75  | 0.054     | 0.068 |
| D   | 0.35        | 0.49  | 0.014     | 0.019 |
| F   | 0.40        | 1.25  | 0.016     | 0.049 |
| G   | 1.27 BSC    |       | 0.050 BSC |       |
| J   | 0.19        | 0.25  | 0.008     | 0.009 |
| K   | 0.10        | 0.25  | 0.004     | 0.009 |
| M   | 0°          | 7°    | 0°        | 7°    |
| P   | 5.80        | 6.20  | 0.229     | 0.244 |
| R   | 0.25        | 0.50  | 0.010     | 0.019 |

- |  |  |  |  |
|--|--|--|--|
| <p>STYLE 1:</p> <p>PIN 1. COLLECTOR</p> <p>2. BASE</p> <p>3. EMITTER</p> <p>4. NO CONNECTION</p> <p>5. EMITTER</p> <p>6. BASE</p> <p>7. COLLECTOR</p> <p>8. COLLECTOR</p> <p>9. BASE</p> <p>10. EMITTER</p> <p>11. NO CONNECTION</p> <p>12. EMITTER</p> <p>13. BASE</p> <p>14. COLLECTOR</p> <p>15. EMITTER</p> <p>16. COLLECTOR</p>                           | <p>STYLE 2:</p> <p>PIN 1. CATHODE</p> <p>2. ANODE</p> <p>3. NO CONNECTION</p> <p>4. CATHODE</p> <p>5. CATHODE</p> <p>6. NO CONNECTION</p> <p>7. ANODE</p> <p>8. CATHODE</p> <p>9. CATHODE</p> <p>10. ANODE</p> <p>11. NO CONNECTION</p> <p>12. CATHODE</p> <p>13. CATHODE</p> <p>14. NO CONNECTION</p> <p>15. ANODE</p> <p>16. CATHODE</p> | <p>STYLE 3:</p> <p>PIN 1. COLLECTOR, DYE #1</p> <p>2. BASE, #1</p> <p>3. EMITTER, #1</p> <p>4. COLLECTOR, #1</p> <p>5. COLLECTOR, #2</p> <p>6. BASE, #2</p> <p>7. EMITTER, #2</p> <p>8. COLLECTOR, #2</p> <p>9. COLLECTOR, #3</p> <p>10. BASE, #3</p> <p>11. EMITTER, #3</p> <p>12. COLLECTOR, #3</p> <p>13. COLLECTOR, #4</p> <p>14. BASE, #4</p> <p>15. EMITTER, #4</p> <p>16. COLLECTOR, #4</p>   | <p>STYLE 4:</p> <p>PIN 1. COLLECTOR, DYE #1</p> <p>2. COLLECTOR, #1</p> <p>3. COLLECTOR, #2</p> <p>4. COLLECTOR, #2</p> <p>5. COLLECTOR, #3</p> <p>6. COLLECTOR, #3</p> <p>7. COLLECTOR, #4</p> <p>8. COLLECTOR, #4</p> <p>9. BASE, #4</p> <p>10. EMITTER, #4</p> <p>11. BASE, #3</p> <p>12. EMITTER, #3</p> <p>13. BASE, #2</p> <p>14. EMITTER, #2</p> <p>15. BASE, #1</p> <p>16. EMITTER, #1</p> |
| <p>STYLE 5:</p> <p>PIN 1. DRAIN, DYE #1</p> <p>2. DRAIN, #1</p> <p>3. DRAIN, #2</p> <p>4. DRAIN, #2</p> <p>5. DRAIN, #3</p> <p>6. DRAIN, #3</p> <p>7. DRAIN, #4</p> <p>8. DRAIN, #4</p> <p>9. GATE, #4</p> <p>10. SOURCE, #4</p> <p>11. GATE, #3</p> <p>12. SOURCE, #3</p> <p>13. GATE, #2</p> <p>14. SOURCE, #2</p> <p>15. GATE, #1</p> <p>16. SOURCE, #1</p> | <p>STYLE 6:</p> <p>PIN 1. CATHODE</p> <p>2. CATHODE</p> <p>3. CATHODE</p> <p>4. CATHODE</p> <p>5. CATHODE</p> <p>6. CATHODE</p> <p>7. CATHODE</p> <p>8. CATHODE</p> <p>9. ANODE</p> <p>10. ANODE</p> <p>11. ANODE</p> <p>12. ANODE</p> <p>13. ANODE</p> <p>14. ANODE</p> <p>15. ANODE</p> <p>16. ANODE</p>                                 | <p>STYLE 7:</p> <p>PIN 1. SOURCE N-CH</p> <p>2. COMMON DRAIN (OUTPUT)</p> <p>3. COMMON DRAIN (OUTPUT)</p> <p>4. GATE P-CH</p> <p>5. COMMON DRAIN (OUTPUT)</p> <p>6. COMMON DRAIN (OUTPUT)</p> <p>7. COMMON DRAIN (OUTPUT)</p> <p>8. SOURCE P-CH</p> <p>9. SOURCE P-CH</p> <p>10. COMMON DRAIN (OUTPUT)</p> <p>11. COMMON DRAIN (OUTPUT)</p> <p>12. COMMON DRAIN (OUTPUT)</p> <p>13. GATE N-CH</p> <p>14. COMMON DRAIN (OUTPUT)</p> <p>15. COMMON DRAIN (OUTPUT)</p> <p>16. SOURCE N-CH</p> |  |

### SOLDERING FOOTPRINT



|                  |             |  |
|------------------|-------------|--|
| DOCUMENT NUMBER: | 98ASB42566B | Electronic versions are uncontrolled except when accessed directly from the Document Repository. Printed versions are uncontrolled except when stamped "CONTROLLED COPY" in red. |
| DESCRIPTION:     | SOIC-16     | PAGE 1 OF 1  |

ON Semiconductor and are trademarks of Semiconductor Components Industries, LLC dba ON Semiconductor or its subsidiaries in the United States and/or other countries. ON Semiconductor reserves the right to make changes without further notice to any products herein. ON Semiconductor makes no warranty, representation or guarantee regarding the suitability of its products for any particular purpose, nor does ON Semiconductor assume any liability arising out of the application or use of any product or circuit, and specifically disclaims any and all liability, including without limitation special, consequential or incidental damages. ON Semiconductor does not convey any license under its patent rights nor the rights of others.



**onsemi**, **Onsemi**, and other names, marks, and brands are registered and/or common law trademarks of Semiconductor Components Industries, LLC dba "**onsemi**" or its affiliates and/or subsidiaries in the United States and/or other countries. **onsemi** owns the rights to a number of patents, trademarks, copyrights, trade secrets, and other intellectual property. A listing of **onsemi**'s product/patent coverage may be accessed at [www.onsemi.com/site/pdf/Patent-Marking.pdf](http://www.onsemi.com/site/pdf/Patent-Marking.pdf). **onsemi** reserves the right to make changes at any time to any products or information herein, without notice. The information herein is provided "as-is" and **onsemi** makes no warranty, representation or guarantee regarding the accuracy of the information, product features, availability, functionality, or suitability of its products for any particular purpose, nor does **onsemi** assume any liability arising out of the application or use of any product or circuit, and specifically disclaims any and all liability, including without limitation special, consequential or incidental damages. Buyer is responsible for its products and applications using **onsemi** products, including compliance with all laws, regulations and safety requirements or standards, regardless of any support or applications information provided by **onsemi**. "Typical" parameters which may be provided in **onsemi** data sheets and/or specifications can and do vary in different applications and actual performance may vary over time. All operating parameters, including "Typicals" must be validated for each customer application by customer's technical experts. **onsemi** does not convey any license under any of its intellectual property rights nor the rights of others. **onsemi** products are not designed, intended, or authorized for use as a critical component in life support systems or any FDA Class 3 medical devices or medical devices with a same or similar classification in a foreign jurisdiction or any devices intended for implantation in the human body. Should Buyer purchase or use **onsemi** products for any such unintended or unauthorized application, Buyer shall indemnify and hold **onsemi** and its officers, employees, subsidiaries, affiliates, and distributors harmless against all claims, costs, damages, and expenses, and reasonable attorney fees arising out of, directly or indirectly, any claim of personal injury or death associated with such unintended or unauthorized use, even if such claim alleges that **onsemi** was negligent regarding the design or manufacture of the part. **onsemi** is an Equal Opportunity/Affirmative Action Employer. This literature is subject to all applicable copyright laws and is not for resale in any manner.

## PUBLICATION ORDERING INFORMATION

### LITERATURE FULFILLMENT:

Email Requests to: [orderlit@onsemi.com](mailto:orderlit@onsemi.com)

**onsemi Website:** [www.onsemi.com](http://www.onsemi.com)

### TECHNICAL SUPPORT

**North American Technical Support:**

Voice Mail: 1 800-282-9855 Toll Free USA/Canada

Phone: 011 421 33 790 2910

**Europe, Middle East and Africa Technical Support:**

Phone: 00421 33 790 2910

For additional information, please contact your local Sales Representative