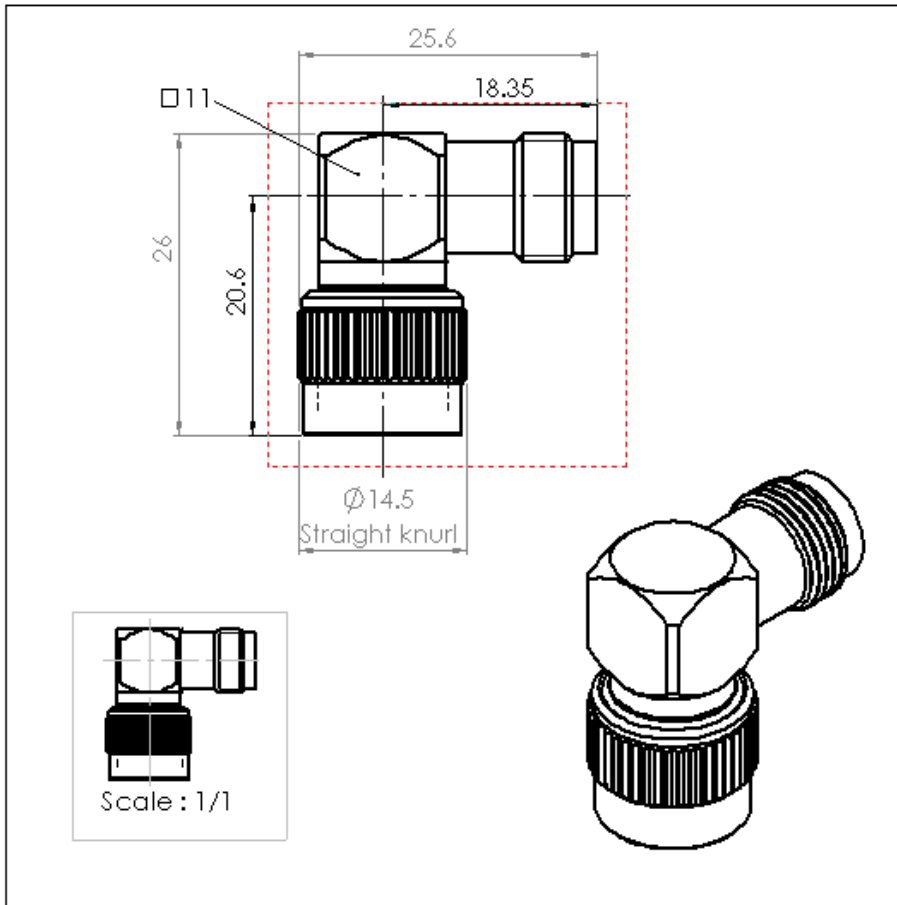


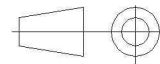
MALE-FEMALE RIGHT ANGLE ADAPTER

R143.770.000

Series : TNC



All dimensions are in mm.



| COMPONENTS | MATERIALS | PLATINGS (µm) |
|-----------------------|------------------------|-------------------------------|
| BODY | BRASS | NICKEL 2 |
| CENTER CONTACT | BRASS | GOLD 0.5 OVER NICKEL 2 |
| OUTER CONTACT | - | - |
| INSULATOR | PTFE | - |
| GASKET | SILICONE RUBBER | - |
| OTHERS PARTS | SILICONE RUBBER | NICKEL 2 |
| - | - | - |
| - | - | - |

Issue : 0311 Q

In the effort to improve our products, we reserve the right to make changes judged to be necessary.



MALE-FEMALE RIGHT ANGLE ADAPTER

R143.770.000

Series : TNC

PACKAGING

| Standard | Unit | Other |
|----------|------|-------------------|
| 1 | - | Contact us |

SPECIFICATION

QAE 06-02 - -

ELECTRICAL CHARACTERISTICS

| | | |
|---------------------------------|----------------------|-------------------------|
| Impedance | 50 | Ω |
| Frequency | 0-4.5 | GHz |
| VSWR | 1.40 + 0,0000 | x F(GHz) Maxi |
| Insertion loss | 0.15 | $\sqrt{F(GHz)}$ dB Maxi |
| RF leakage | - (57) | - F(GHz)) dB Maxi |
| Voltage rating | 500 | Veff Maxi |
| Dielectric withstanding voltage | 1500 | Veff mini |
| Insulation resistance | 5000 | M Ω mini |

ENVIRONMENTAL

| | | |
|-----------------------|-----------------|--------------|
| Operating temperature | -65/+165 | $^{\circ}$ C |
| Hermetic seal | NA | Atm.cm3/s |
| Panel leakage | NA | |

OTHERS CHARACTERISTICS

Assembly instruction

Others :

MECHANICAL CHARACTERISTICS

| | | |
|----------------------------|----------------|-------------|
| Center contact retention | | |
| Axial force – Mating end | 18 | N mini |
| Axial force – Opposite end | 18 | N mini |
| Torque | NA | N.cm mini |
| Recommended torque | | |
| Mating | NA | N.cm |
| Panel nut | NA | N.cm |
| Mating life | 500 | Cycles mini |
| Weight | 21,5160 | g |

Issue : 0311 Q

In the effort to improve our products, we reserve the right to make changes judged to be necessary.



RADIALL®