

**MODEL:** SJ-63053B | **DESCRIPTION:** AUDIO JACK**FEATURES**

- through hole
- right angle
- 3 conductor
- tip switch
- threaded with nut

**SPECIFICATIONS**

parameter	conditions/description	min	typ	max	units
rated input voltage			12		Vdc
rated input current				1	A
contact resistance	between terminal and mating plug			30	mΩ
insulation resistance	at 500 Vdc	100			MΩ
voltage withstand	for 1 minute			500	Vac
insertion/withdrawal force		0.4		3	kg
operating temperature		-25		70	°C
life			5,000		cycles
flammability rating	see material table				
RoHS	yes				

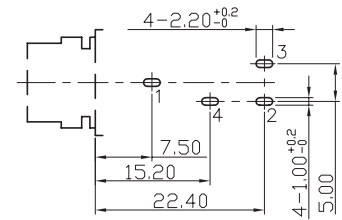
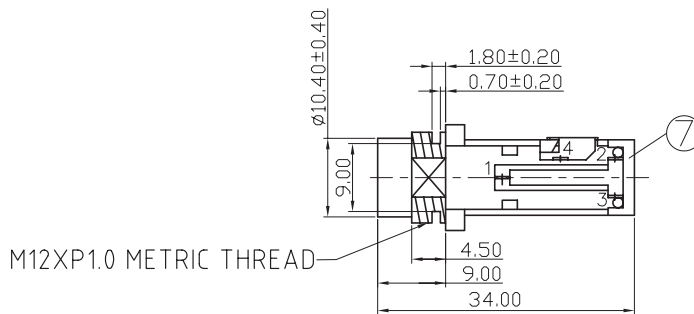
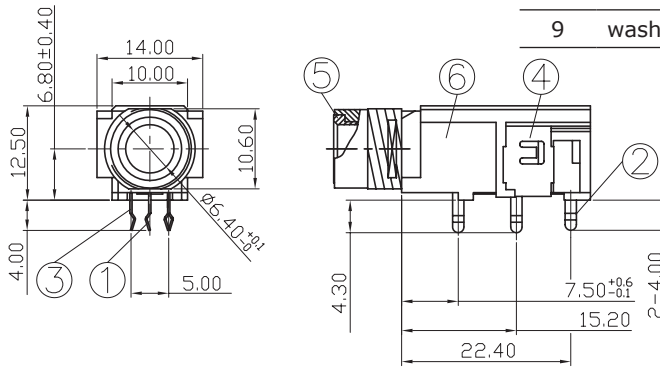
**SOLDERABILITY**

parameter	conditions/description	min	typ	max	units
hand soldering	for 3~5 seconds		360		°C

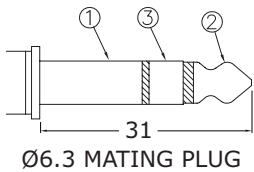
## MECHANICAL DRAWING

units: mm  
tolerance: ±0.3 mm

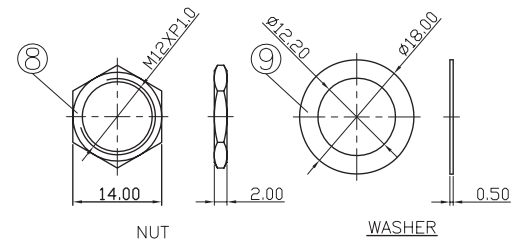
ITEM	DESCRIPTION	MATERIAL	PLATING/COLOR
1	earth terminal	phosphor bronze	gold
2	tip spring	phosphor bronze	gold
3	ring spring	phosphor bronze	gold
4	tip shunt	brass	gold
5	bushing	brass	gold
6	housing	PBT (UL94V-0)	black
7	cover	PBT (UL94V-0)	black
8	nut	steel	nickel
9	washer	steel	nickel



Recommended PCB Layout  
Top View



Model No.	SJ-63053B
Schematic	
PIN	
1	sleeve
2	tip
3	ring
4	tip switch



## REVISION HISTORY

---

rev.	description	date
1.0	initial release	07/29/2020

The revision history provided is for informational purposes only and is believed to be accurate.

---

# CUI DEVICES

CUI Devices offers a one (1) year limited warranty. Complete warranty information is listed on our website.

CUI Devices reserves the right to make changes to the product at any time without notice. Information provided by CUI Devices is believed to be accurate and reliable. However, no responsibility is assumed by CUI Devices for its use, nor for any infringements of patents or other rights of third parties which may result from its use.

CUI Devices products are not authorized or warranted for use as critical components in equipment that requires an extremely high level of reliability. A critical component is any component of a life support device or system whose failure to perform can be reasonably expected to cause the failure of the life support device or system, or to affect its safety or effectiveness.