

ON Semiconductor

Is Now

onsemi™

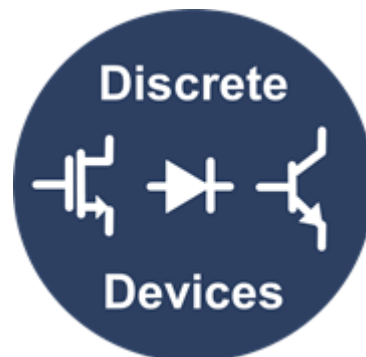
To learn more about onsemi™, please visit our website at
www.onsemi.com

onsemi and **onsemi** and other names, marks, and brands are registered and/or common law trademarks of Semiconductor Components Industries, LLC dba "**onsemi**" or its affiliates and/or subsidiaries in the United States and/or other countries. **onsemi** owns the rights to a number of patents, trademarks, copyrights, trade secrets, and other intellectual property. A listing of **onsemi** product/patent coverage may be accessed at www.onsemi.com/site/pdf/Patent-Marking.pdf. **onsemi** reserves the right to make changes at any time to any products or information herein, without notice. The information herein is provided "as-is" and **onsemi** makes no warranty, representation or guarantee regarding the accuracy of the information, product features, availability, functionality, or suitability of its products for any particular purpose, nor does **onsemi** assume any liability arising out of the application or use of any product or circuit, and specifically disclaims any and all liability, including without limitation special, consequential or incidental damages. Buyer is responsible for its products and applications using **onsemi** products, including compliance with all laws, regulations and safety requirements or standards, regardless of any support or applications information provided by **onsemi**. "Typical" parameters which may be provided in **onsemi** data sheets and/or specifications can and do vary in different applications and actual performance may vary over time. All operating parameters, including "Typicals" must be validated for each customer application by customer's technical experts. **onsemi** does not convey any license under any of its intellectual property rights nor the rights of others. **onsemi** products are not designed, intended, or authorized for use as a critical component in life support systems or any FDA Class 3 medical devices or medical devices with a same or similar classification in a foreign jurisdiction or any devices intended for implantation in the human body. Should Buyer purchase or use **onsemi** products for any such unintended or unauthorized application, Buyer shall indemnify and hold **onsemi** and its officers, employees, subsidiaries, affiliates, and distributors harmless against all claims, costs, damages, and expenses, and reasonable attorney fees arising out of, directly or indirectly, any claim of personal injury or death associated with such unintended or unauthorized use, even if such claim alleges that **onsemi** was negligent regarding the design or manufacture of the part. **onsemi** is an Equal Opportunity/Affirmative Action Employer. This literature is subject to all applicable copyright laws and is not for resale in any manner. Other names and brands may be claimed as the property of others.



ON Semiconductor®

STR-ACF-12V100WPSU-GEVB Users Guide



Contents

INTRODUCTION.....	3
Features.....	3
Applications.....	3
USER GUIDE	4
Hardware Setup – connection.....	4
User Interface	5

Introduction

STR-ACF-12V100WPSU-GEVB provides an easy to use evaluation board within Strata development environment for the NCP1568 100W output AC to DC conversion. Through Strata, the developer can access datasheets, BOMs, schematics, and other collateral they may need. This document will provide instructions on how to use the evaluation board.

Features

- Input voltage range; 90Vac – 264Vac
- Output voltage; 12V
- Output current; 0A – 8.5A
- Input / Output isolation; 3kV
- PFC; Yes
- Board size; 166mm x 103mm x 33mm

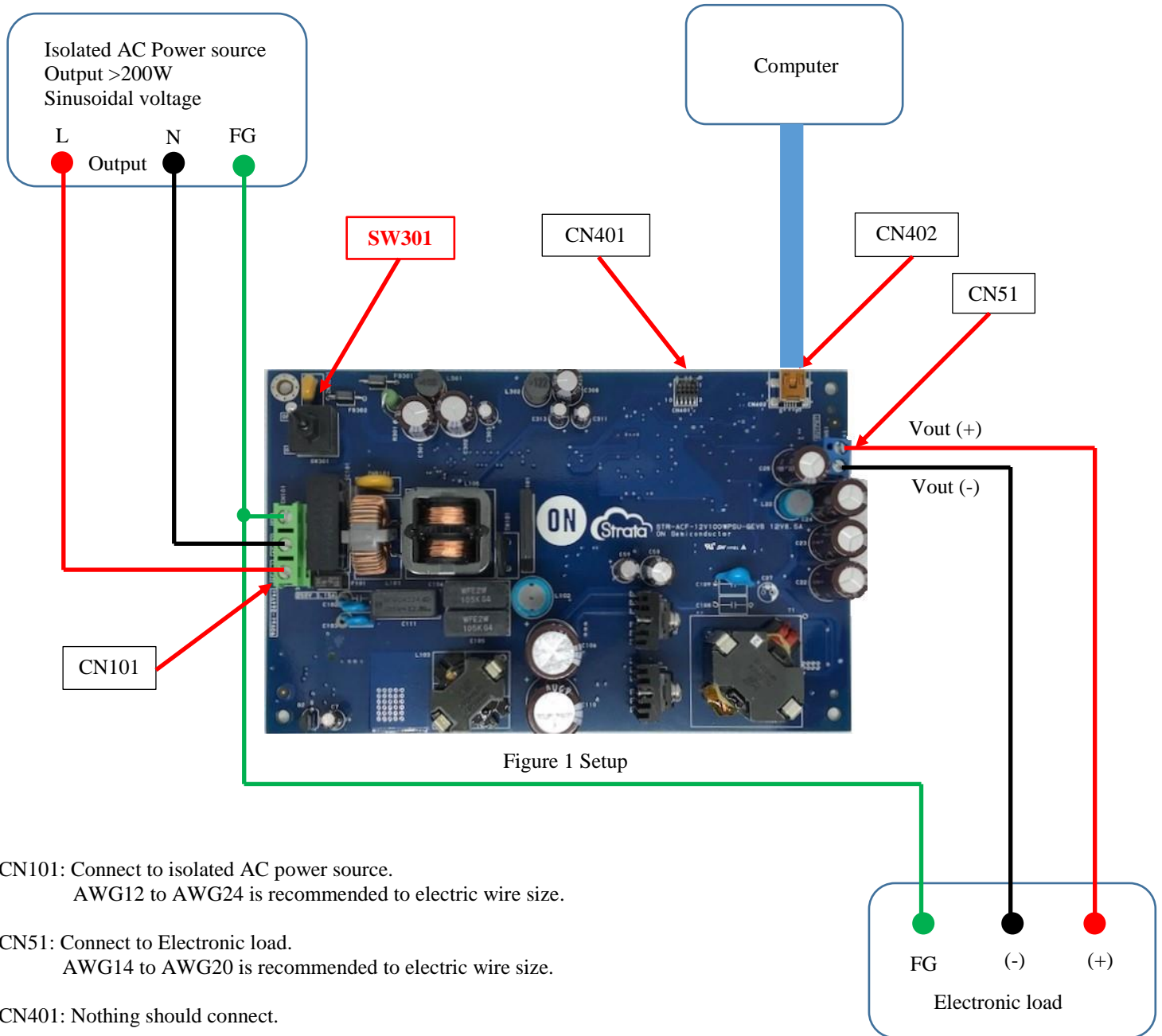
Applications

- Industrial use
- General-purpose power supply

User Guide

Hardware Setup – connection

The setup for operation with Strata telemetry system. The hardware required an AC power source, an Electric load, a Computer for using STR-ACF-12V100WPSU-GEVB. The electric wire size recommended for connection is shown below.



CN101: Connect to isolated AC power source.

AWG12 to AWG24 is recommended to electric wire size.

CN51: Connect to Electronic load.

AWG14 to AWG20 is recommended to electric wire size.

CN401: Nothing should connect.

CN402: Connect to PC using attached USB cable.

SW301: This is the Power Switch for the telemetry system. This switch should certainly be turned ON. If this SW301 is OFF, the contents of numerical values displayed on the screen and graphs are not guaranteed.

User Interface

1. Connect, as shown in Figure 1 setup and login to the Strata web site.



Figure 2 Login screen

2. The application will automatically detect the device that is plugged in and will bring up the UI for the RDK that is plugged in.

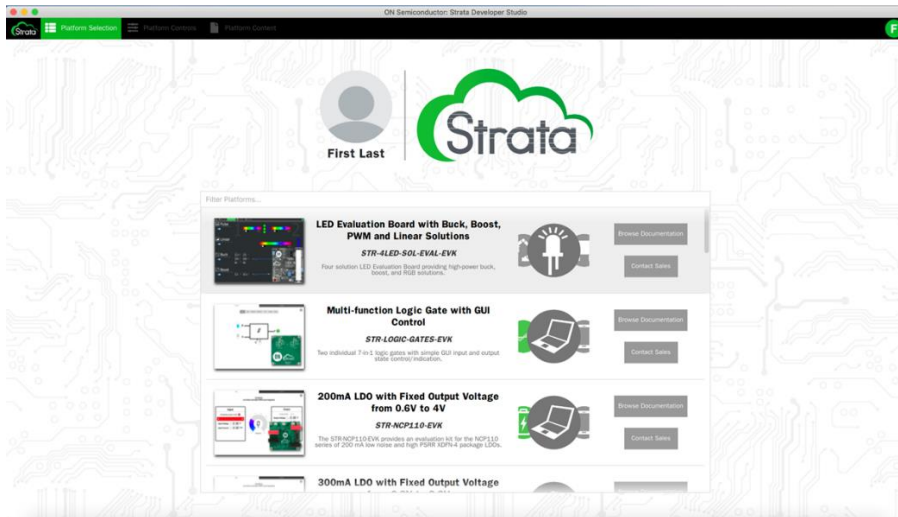


Figure 3

3. Switch SW301 should certainly be turned ON. As for operation of Strata, switch SW301 is not guaranteed in OFF.

4. A basic initial screen appears.

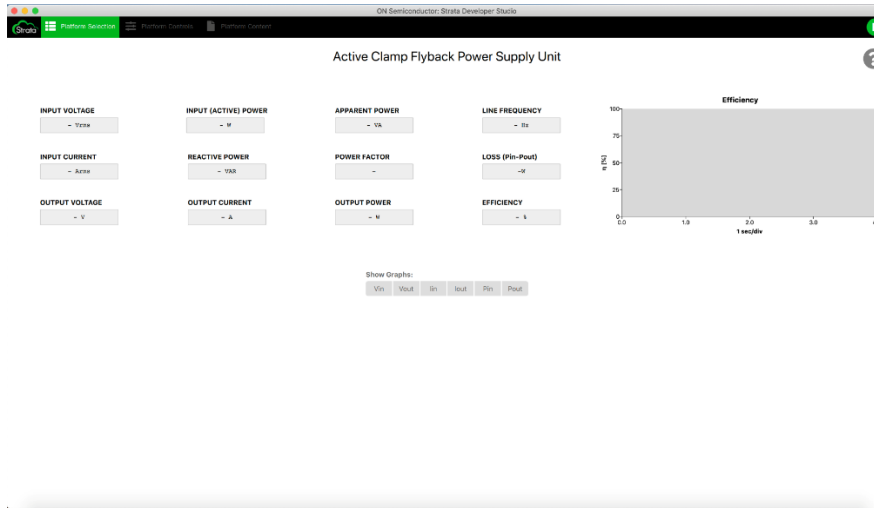


Figure 4

This screen displays a following measurement result and calculation result by the Strata telemetering system. The displays are numerical value and graphs. It seems to be Figure 4 just after starting this software. As for efficiency, both a graph and a numerical are displayed in this case.

The items displayed as graphs and numerical value.

- Input voltage (Vrms), Output voltage (V), Input current (Arms), Output current (A), Input Active power (W), Output power (V), Efficiency (%)

The items displayed as numerical value only.

- Input voltage (Vrms), Output voltage (V), Input current (Arms), Output current (A), Input Active power (W), Output power (V), Efficiency (%)
- And, Apparent power (VA), Reactive power (VAR), Power factor, Line frequency, Loss (Pin-Pout, W)

5. The round button with a question mark in the top right corner is the Help button.
6. Display graphs.

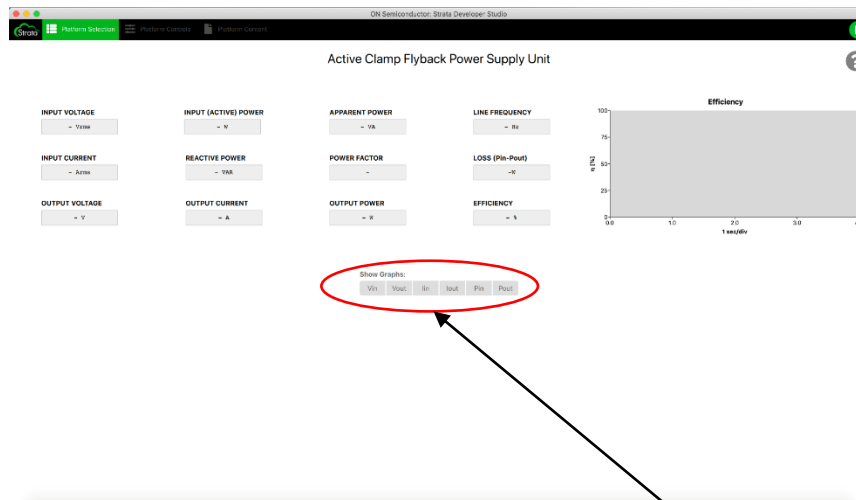


Figure 5

The item which can show graphs is shown in the button above round in Red. By left-clicking an item, you can see it in a graph. You can see one item of graph at the minimum. And it is six items at the maximum.

STR-ACF-12V100WPSU-GEVB

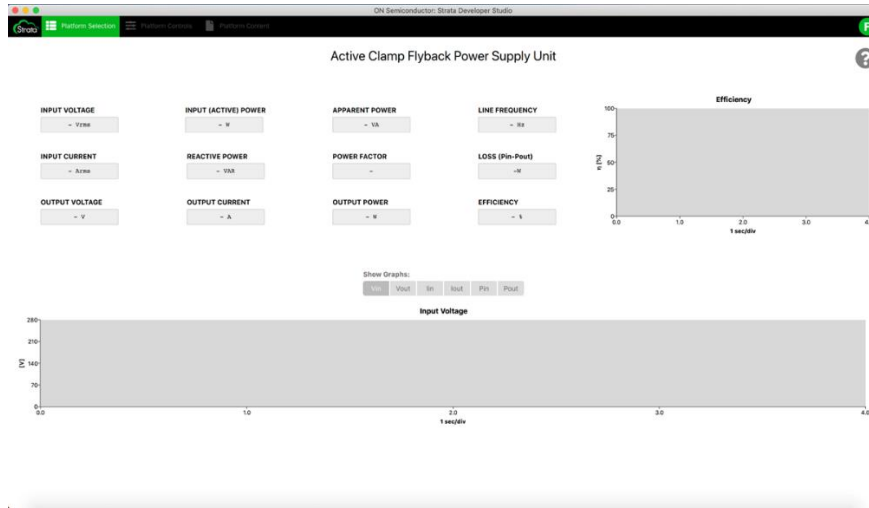


Figure 6 One item.



Figure 7 Two items



Figure 8 Six items

7. Notes (be sure to read)

- If it displays measured value on the screen using the telemetry, be sure to turn ON SW301.
- Connect with Computer using the USB cable attached.
- If output current is smaller than 100 mA, the telemetry does not work. They are not correct if numerical values or graphs are shown in load current smaller than $I_{out}=100$ mA. And those results are not guaranteed.
- If the input AC main is turned OFF or SW301 is turned OFF during working telemetry, values may still be displayed on the screen. In this case, these values are not correct and are not guaranteed.
- Values measured by this telemetry is reference. If high accuracy is required of measurement, please use specialized measuring instruments. In that case, SW301 should be OFF and the USB cable removed.

ON Semiconductor and the ON Semiconductor logo are trademarks of Semiconductor Components Industries, LLC dba ON Semiconductor or its subsidiaries in the United States and/or other countries. ON Semiconductor owns the rights to a number of patents, trademarks, copyrights, trade secrets, and other intellectual property. A listing of ON Semiconductor's product/patent coverage may be accessed at www.onsemi.com/site/pdf/Patent-Marking.pdf. ON Semiconductor is an Equal Opportunity/Affirmative Action Employer. This literature is subject to all applicable copyright laws and is not for resale in any manner.

The evaluation board/kit (research and development board/kit) (hereinafter the "board") is not a finished product and is as such not available for sale to consumers. The board is only intended for research, development, demonstration and evaluation purposes and should as such only be used in laboratory/development areas by persons with an engineering/technical training and familiar with the risks associated with handling electrical/mechanical components, systems and subsystems. This person assumes full responsibility/liability for proper and safe handling. Any other use, resale or redistribution for any other purpose is strictly prohibited.

The board is delivered "AS IS" and without warranty of any kind including, but not limited to, that the board is production-worthy, that the functions contained in the board will meet your requirements, or that the operation of the board will be uninterrupted or error free. ON Semiconductor expressly disclaims all warranties, express, implied or otherwise, including without limitation, warranties of fitness for a particular purpose and non-infringement of intellectual property rights.

ON Semiconductor reserves the right to make changes without further notice to any board.

You are responsible for determining whether the board will be suitable for your intended use or application or will achieve your intended results. Prior to using or distributing any systems that have been evaluated, designed or tested using the board, you agree to test and validate your design to confirm the functionality for your application. Any technical, applications or design information or advice, quality characterization, reliability data or other services provided by ON Semiconductor shall not constitute any representation or warranty by ON Semiconductor, and no additional obligations or liabilities shall arise from ON Semiconductor having provided such information or services.

The boards are not designed, intended, or authorized for use in life support systems, or any FDA Class 3 medical devices or medical devices with a similar or equivalent classification in a foreign jurisdiction, or any devices intended for implantation in the human body. Should you purchase or use the board for any such unintended or unauthorized application, you shall indemnify and hold ON Semiconductor and its officers, employees, subsidiaries, affiliates, and distributors harmless against all claims, costs, damages, and expenses, and reasonable attorney fees arising out of, directly or indirectly, any claim of personal injury or death associated with such unintended or unauthorized use, even if such claim alleges that ON Semiconductor was negligent regarding the design or manufacture of the board.

This evaluation board/kit does not fall within the scope of the European Union directives regarding electromagnetic compatibility, restricted substances (RoHS), recycling (WEEE), FCC, CE or UL, and may not meet the technical requirements of these or other related directives.

FCC WARNING – This evaluation board/kit is intended for use for engineering development, demonstration, or evaluation purposes only and is not considered by ON Semiconductor to be a finished end product fit for general consumer use. It may generate, use, or radiate radio frequency energy and has not been tested for compliance with the limits of computing devices pursuant to part 15 of FCC rules, which are designed to provide reasonable protection against radio frequency interference. Operation of this equipment may cause interference with radio communications, in which case the user shall be responsible, at its expense, to take whatever measures may be required to correct this interference.

ON Semiconductor does not convey any license under its patent rights nor the rights of others.

LIMITATIONS OF LIABILITY: ON Semiconductor shall not be liable for any special, consequential, incidental, indirect or punitive damages, including, but not limited to the costs of requalification, delay, loss of profits or goodwill, arising out of or in connection with the board, even if ON Semiconductor is advised of the possibility of such damages. In no event shall ON Semiconductor's aggregate liability from any obligation arising out of or in connection with the board, under any theory of liability, exceed the purchase price paid for the board, if any.

PUBLICATION ORDERING INFORMATION

LITERATURE FULLFILLMENT:

Literature Distribution Center for ON Semiconductor 19521 E.
32nd Pkwy, Aurora, Colorado 80011 USA

Phone: 303-675-2175 or 800-344-3860 Toll Free USA/Canada
Fax: 303-675-2176 or 800-344-3867 Toll Free USA/Canada
Email: orderlit@onsemi.com

N. American Technical Support:
800-282-9855 Toll Free USA/Canada

Europe, Middle East and Africa Technical Support:
Phone: 421 33 790 2910

ON Semiconductor Website:

<https://www.onsemi.com/>

Order Literature:

<https://www.onsemi.com/orderlit>

For additional information, please contact your local Sales Representative