



ON Semiconductor®

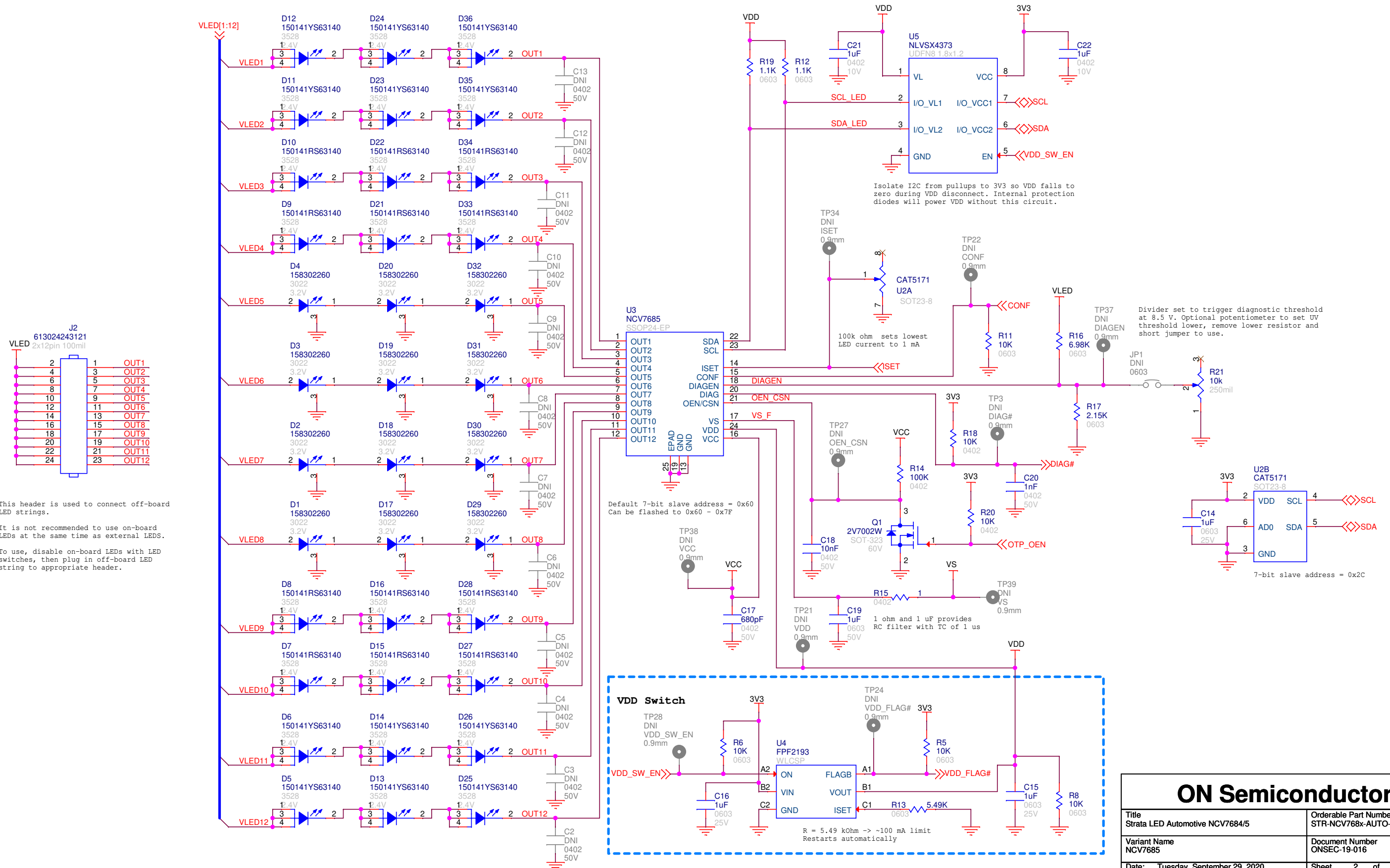
Strata LED Automotive NCV7684/5

Comment Legend

Description Description of circuit that is intended to be evaluated with this PCB.
Optional Circuits that customer could optionally implement yet do not affect PCB purpose.
Not Required Circuits that support the Strata ecosystem that customer would not implement.

ON Semiconductor		
Title Strata LED Automotive NCV7684/5	Orderable Part Number STR-NCV768x-AUTO-LED-GEVB	
Variant Name NCV7685	Document Number ONSEC-19-016	Rev REV1
Date: Tuesday, September 29, 2020	Sheet	1 of 9

Automotive LED Driver NCV7684/5



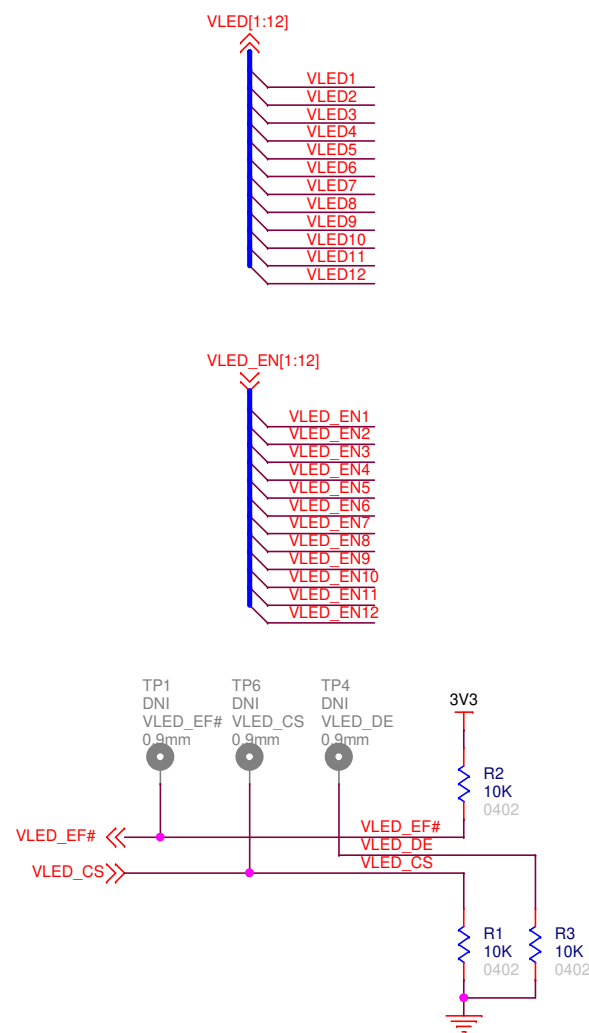
This header is used to connect off-board LED strings.

It is not recommended to use on-board LEDs at the same time as external LEDs.

To use, disable on-board LEDs with LED switches, then plug in off-board LED string to appropriate header.

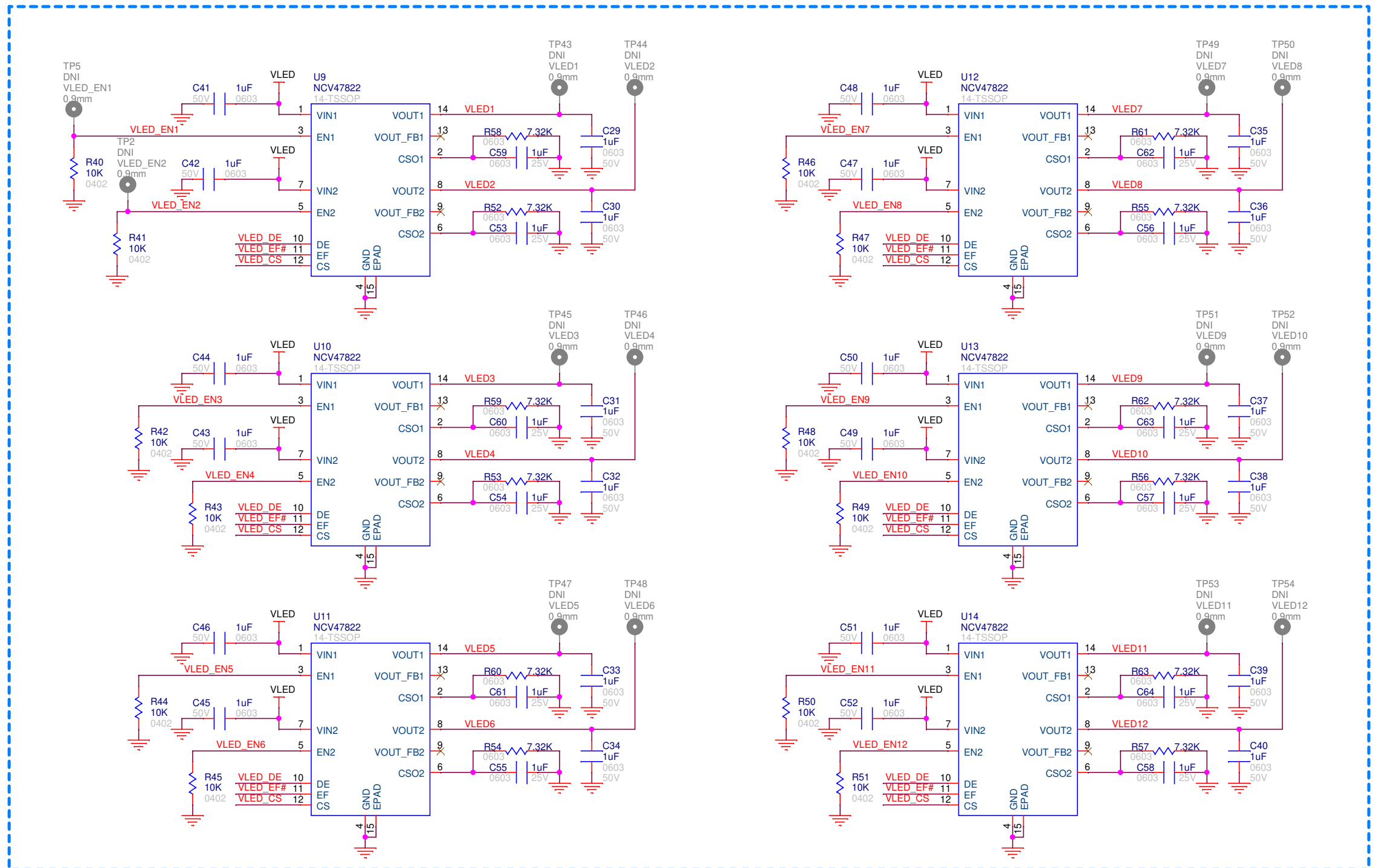
ON Semiconductor		
Title Strata LED Automotive NCV7684/5		Orderable Part Number STR-NCV768x-AUTO-LED-GEVB
Variant Name NCV7685	Document Number ONSEC-19-016	Rev REV1
Date: Tuesday, September 29, 2020	Sheet 2 of 9	

Input LED Switches



EN = H
DE (Diagnostic Enable) = L
CS (Channel Select) = L (CH1), H (CH2)
EF (Error Flag) = L (OCP or Short to GND), H (Normal)

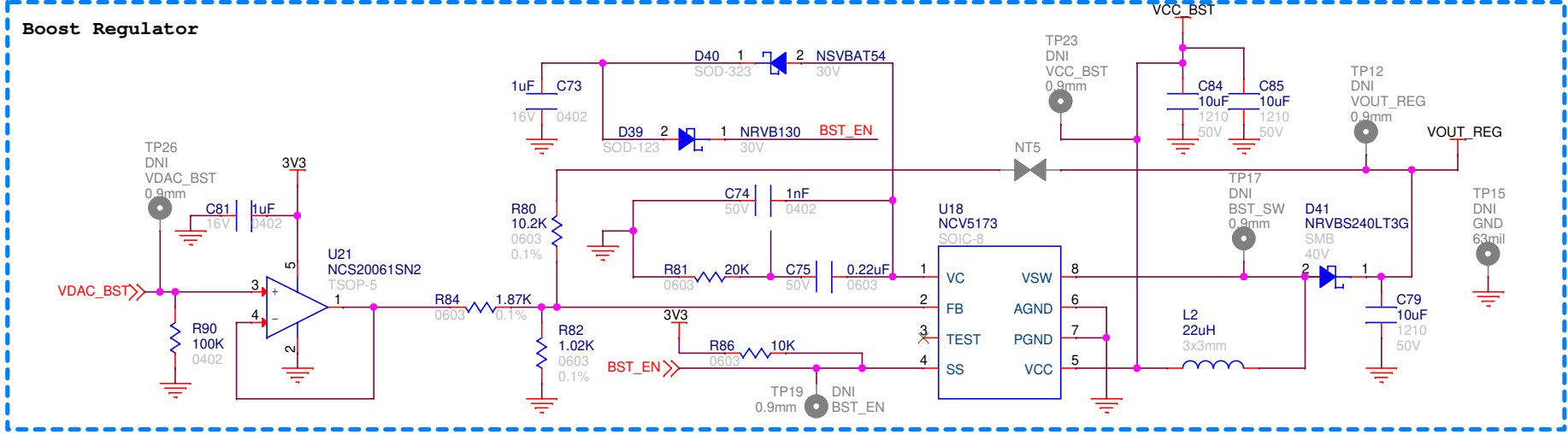
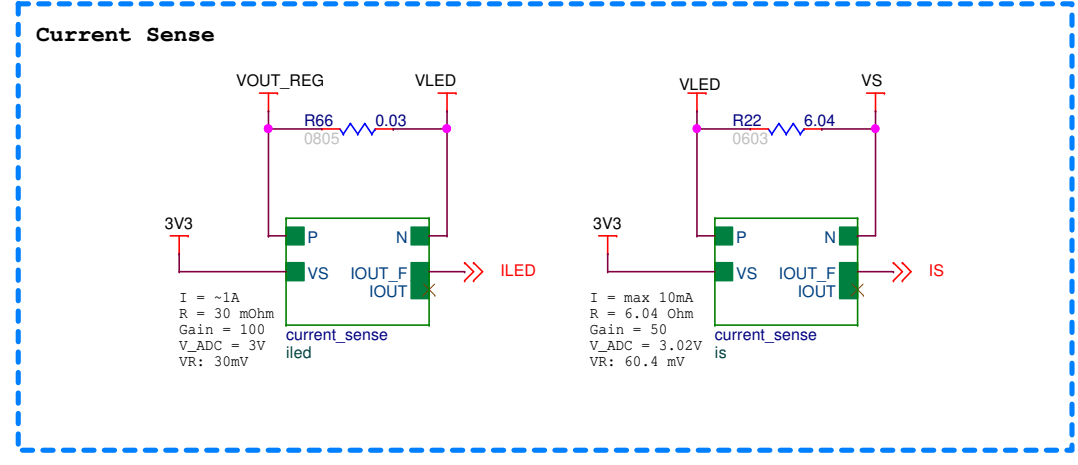
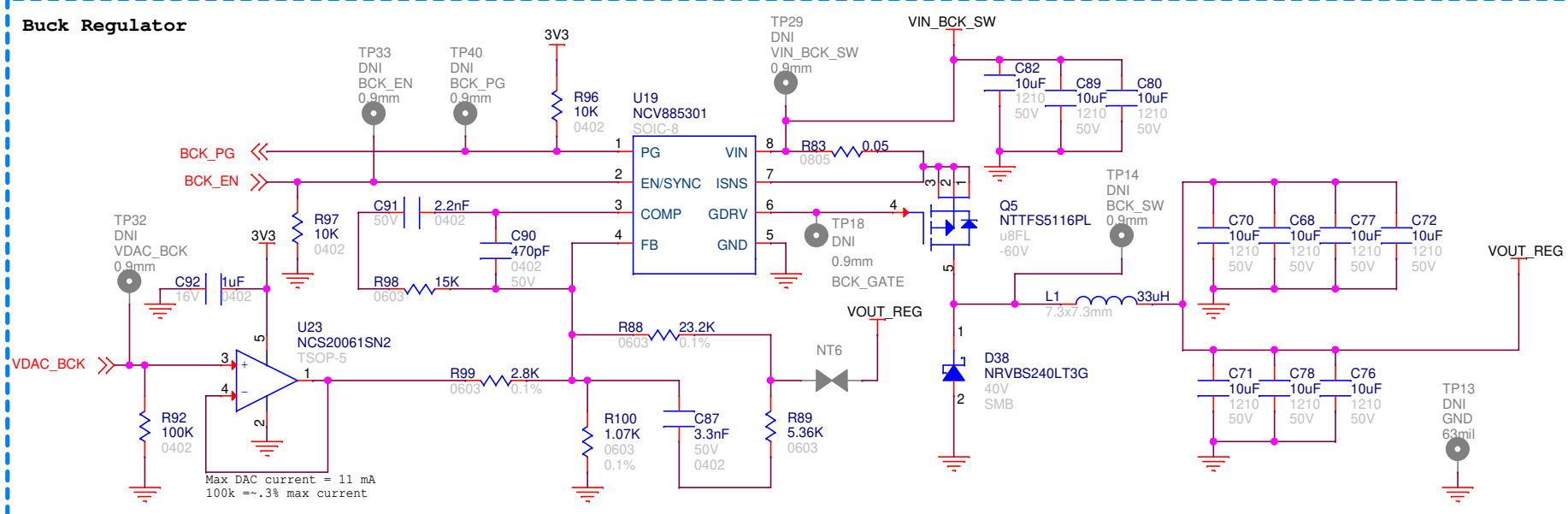
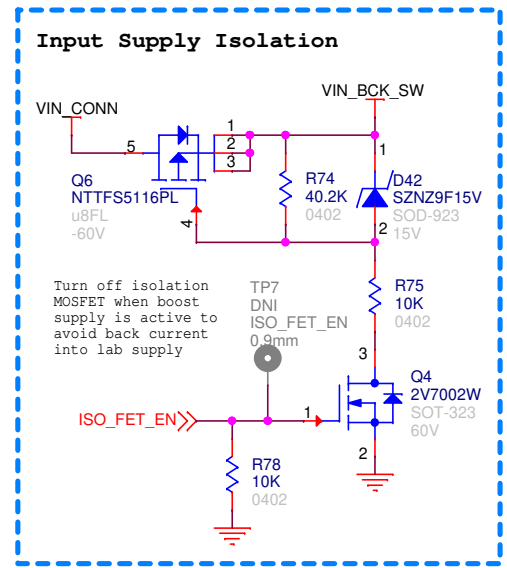
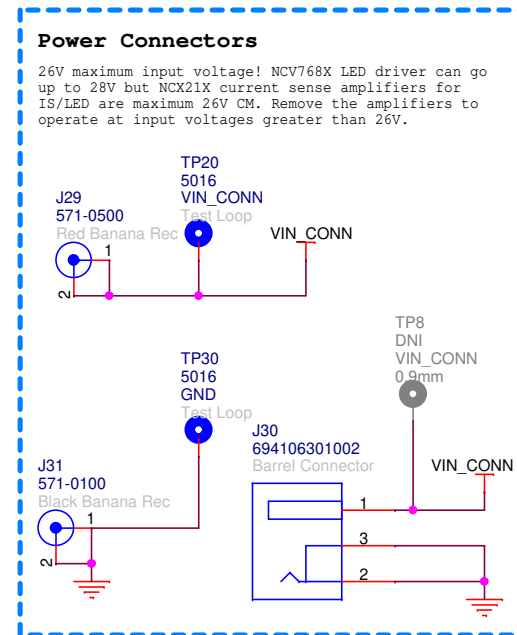
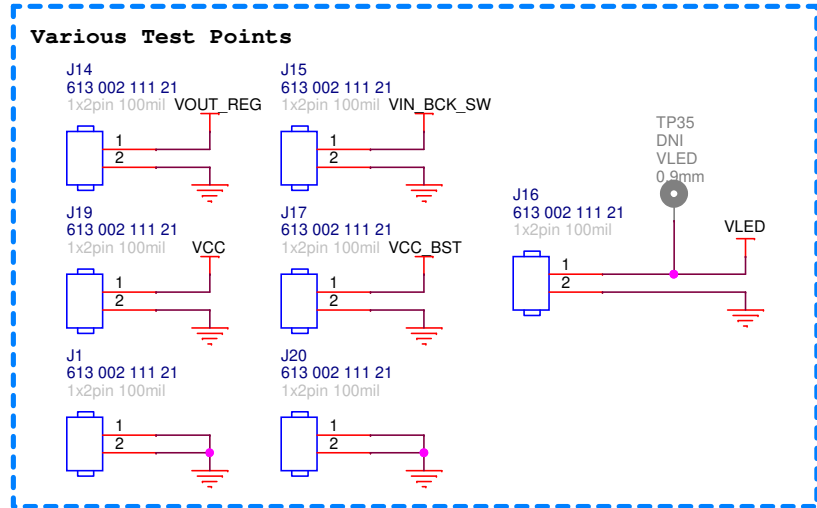
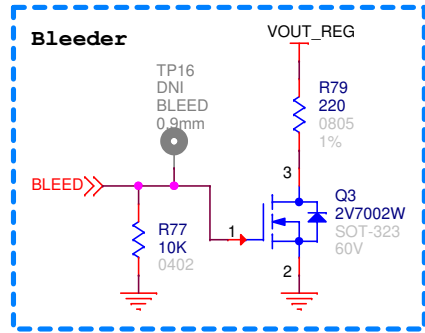
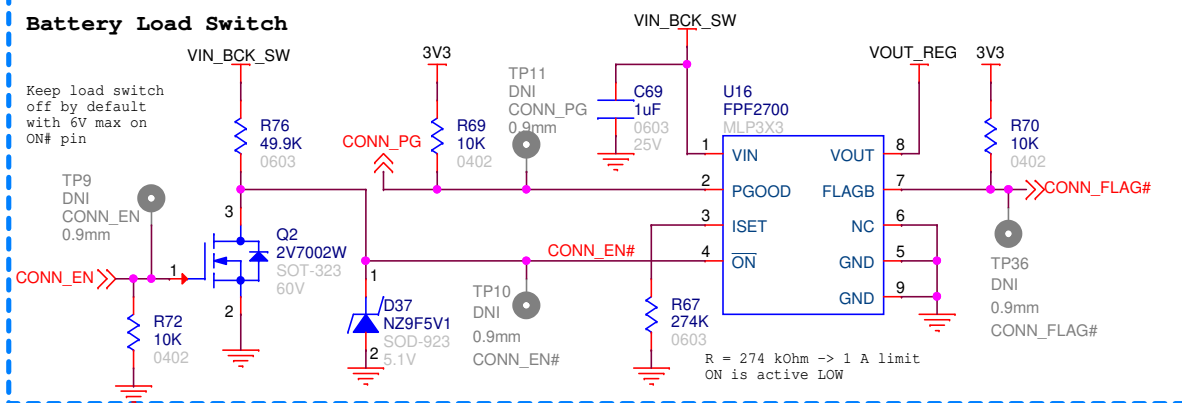
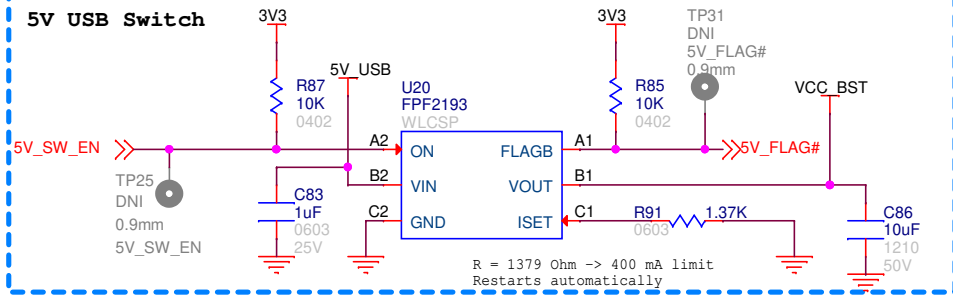
ILIM = 100mA = CSO_RATIO * 2.55 / RC50
CSO_RATIO for 100mA = 285
RLIM = 7.32k



ON Semiconductor

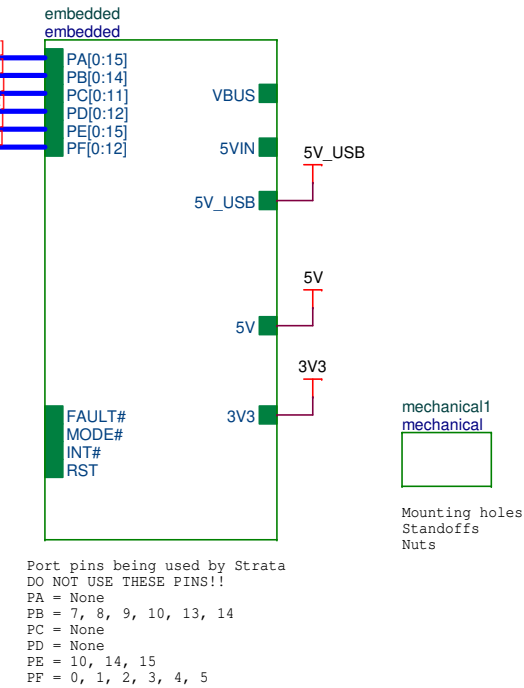
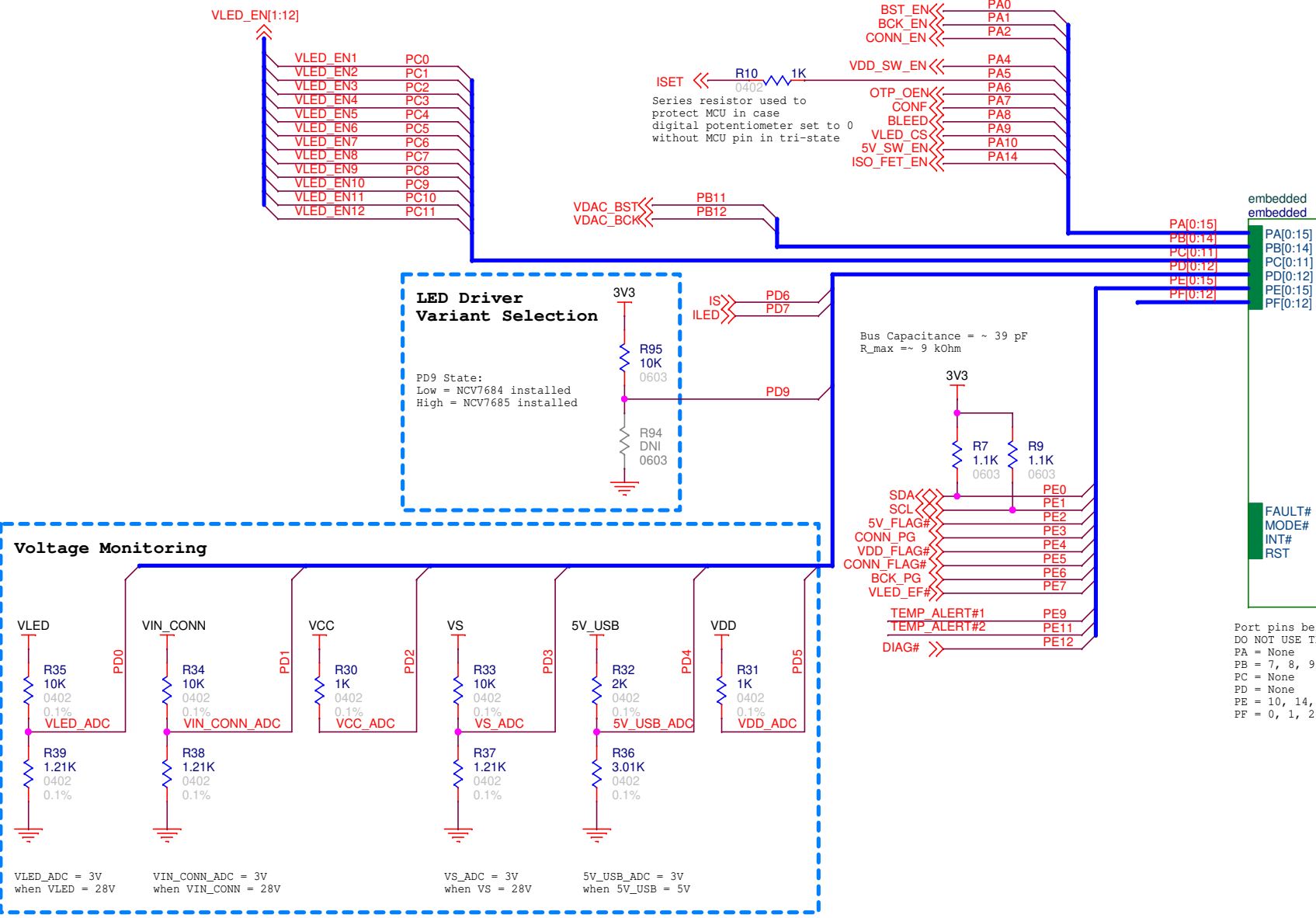
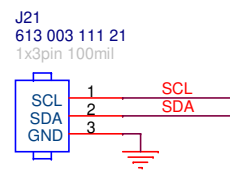
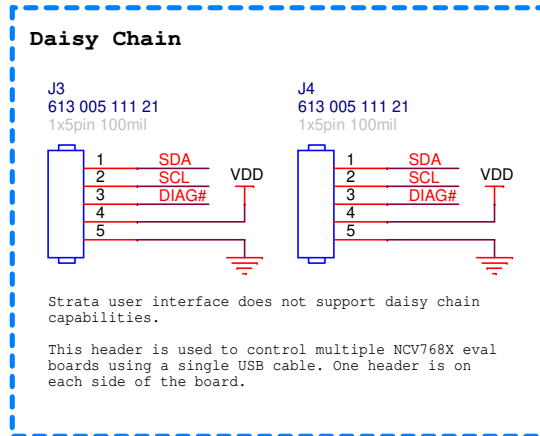
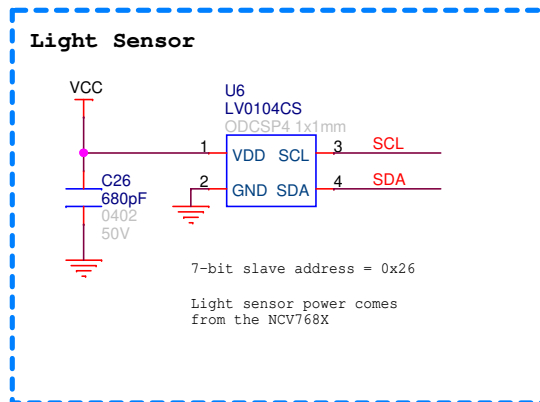
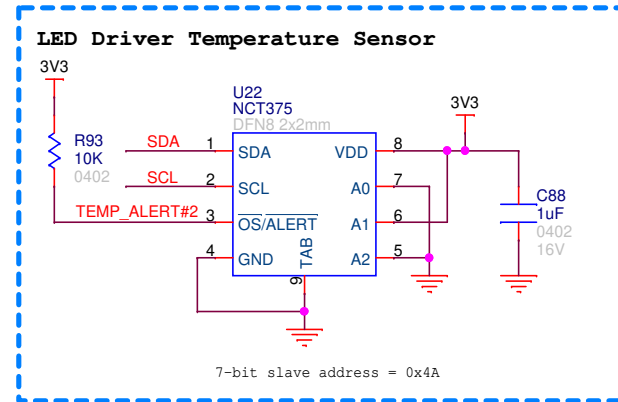
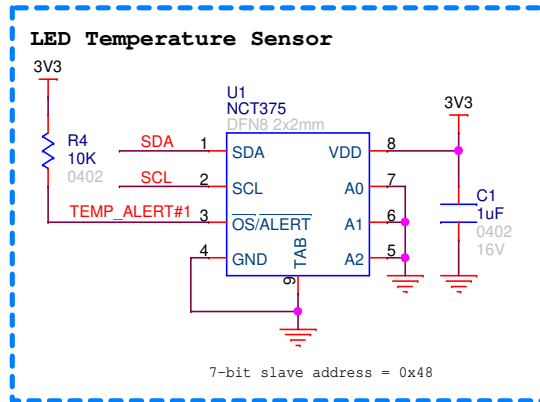
Title Input LED Switches		Orderable Part Number STR-NCV768x-AUTO-LED-GEVB	
Variant Name NCV7685		Document Number ONSEC-19-016	Rev REV1
Date: Tuesday, September 29, 2020		Sheet	3 of 9

Input Supply



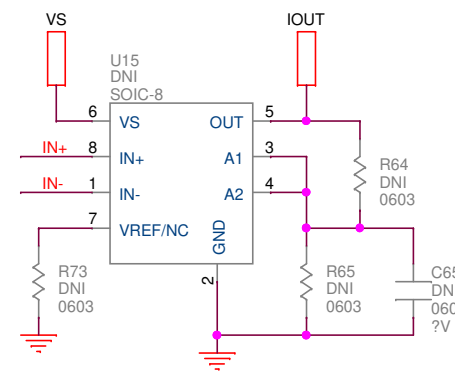
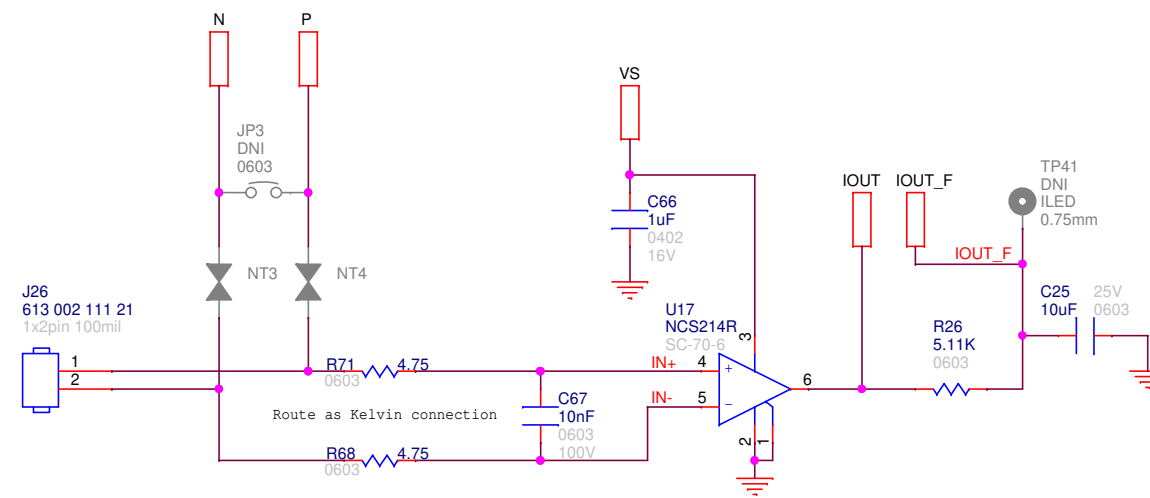
ON Semiconductor		
Title Input Supply	Orderable Part Number STR-NCV768x-AUTO-LED-GEVB	
Variant Name NCV7685	Document Number ONSEC-19-016	Rev REV1
Date: Tuesday, September 29, 2020	Sheet 4 of 9	

Embedded Interface



ON Semiconductor		
Title Strata LED Automotive NCV7684/5		Orderable Part Number STR-NCV768x-AUTO-LED-GEVB
Variant Name NCV7685		Document Number ONSEC-19-016
Date: Tuesday, September 29, 2020	Sheet 5 of 9	Rev REV1

Current Sense

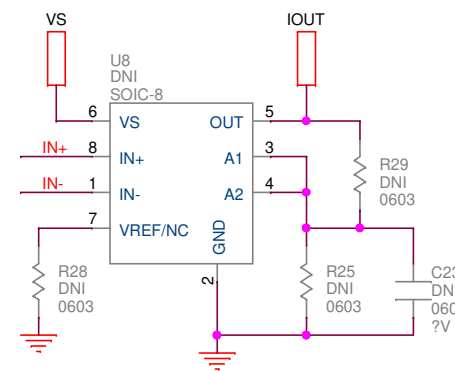
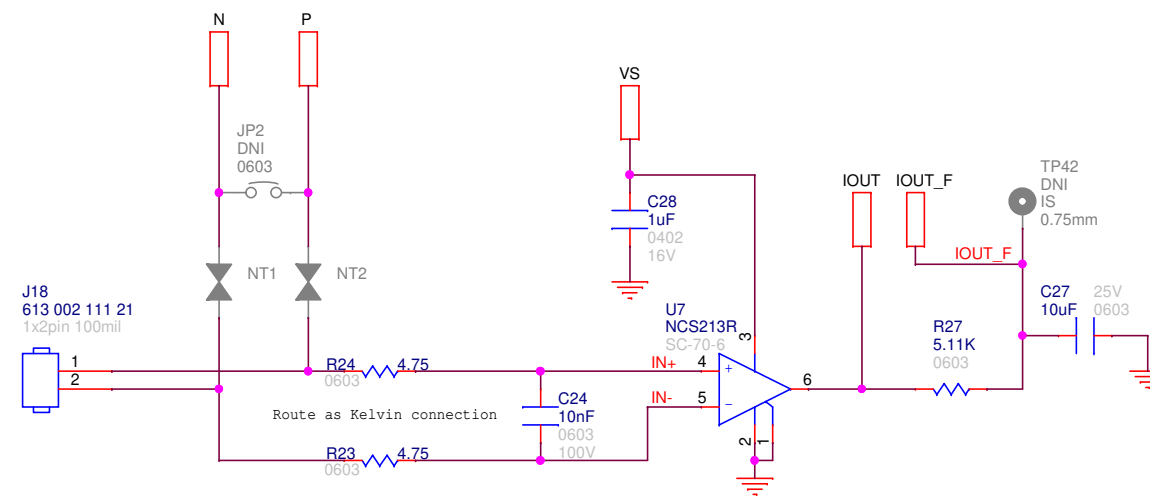


Circuit for possible future use

ON Semiconductor

Title Current Sense	Orderable Part Number STR-NCV768x-AUTO-LED-GEVB	
Variant Name NCV7685	Document Number ONSEC-19-016	Rev REV1
Date: Tuesday, September 29, 2020	Sheet 6 of 9	

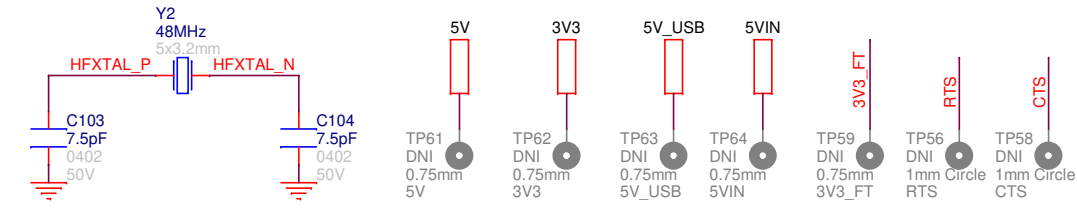
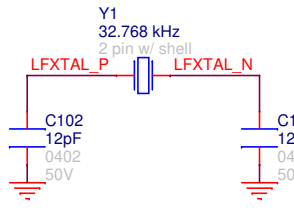
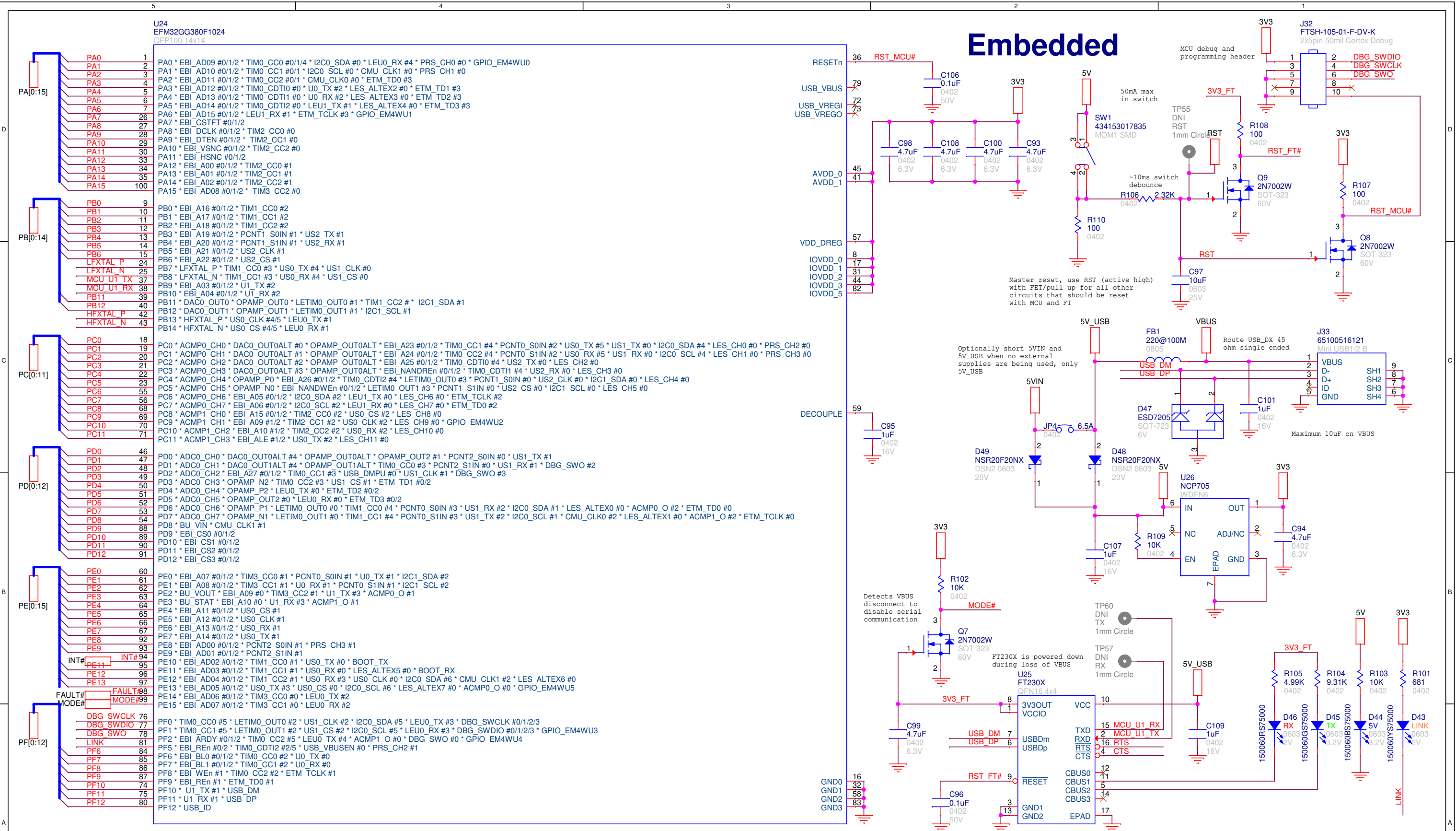
Current Sense



Circuit for possible future use

ON Semiconductor

Title Current Sense	Orderable Part Number STR-NCV768x-AUTO-LED-GEVB	
Variant Name NCV7685	Document Number ONSEC-19-016	Rev REV1
Date: Tuesday, September 29, 2020	Sheet 7 of 9	



ON Semiconductor		
Title Embedded	Orderable Part Number STR-NCV768x-AUTO-LED-GEVB	
Variant Name NCV7685	Document Number ONSEC-19-016	Rev REV1
Date: Thursday, October 29, 2020	Sheet 8 of 9	

Mechanical

J35
971150365
M3 15MM Standoff

J25
971150365
M3 15MM Standoff



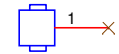
J34
971150365
M3 15MM Standoff

J24
971150365
M3 15MM Standoff

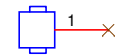


Female to male standoffs

J22
709940300
M3 Nut

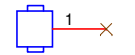


J23
709940300
M3 Nut

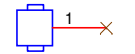


Nuts

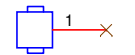
J5
97790503211
M3 5MM Screw



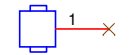
J13
97790503211
M3 5MM Screw



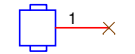
J28
97790503211
M3 5MM Screw



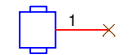
J8
97790503211
M3 5MM Screw



J10
97790503211
M3 5MM Screw

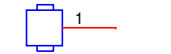


J27
97790503211
M3 5MM Screw

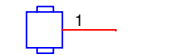


Screws

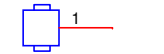
J12
970100365
M3 10MM Standoff



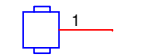
J6
970100365
M3 10MM Standoff



J11
970100365
M3 10MM Standoff

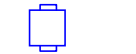


J7
970100365
M3 10MM Standoff



Female to female standoffs

J9
LEDCOVER0
3x1.175"



ON Semiconductor		
Title Mechanical		Orderable Part Number STR-NCV768x-AUTO-LED-GEVB
Variant Name NCV7685	Document Number ONSEC-19-016	Rev REV1
Date: Thursday, October 29, 2020	Sheet 9 of 9	