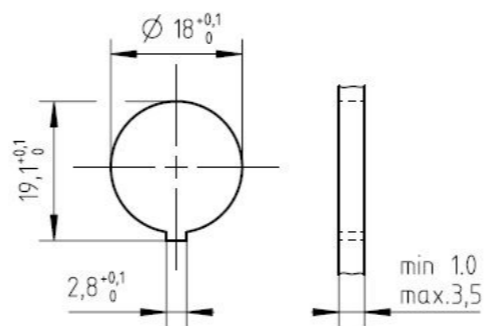


* for 12 and 14 pol dimension is 6,45

Panel cutout M1:1



Number of contacts	Standard	3	4	5	5	6	7	7	8	12	14
Contact arrangement	IEC 61076-2-106	03-a	04-a	05-a	05-b	06-a	07-a	07-b	08-a	12-a	14-a
Contact arrangement	IEC 60130-9 ¹⁾	yes	no	yes	no	yes	no	yes	no		
Rated voltage ²⁾	IEC 60664-1	300 V (100 V)	300 V (63 V)	100 V (32 V)	300 V (63 V)	100 V (32 V)	100 V (32 V)	150 V (32 V)			
Rated voltage	UL 1977	250V						60V			
Rated impulse withstand voltage ²⁾	IEC 60664-1	1500 V (1500 V)		1200 V (800 V)	1500 V (1500 V)		1200 V (800 V)				
Pollution degree ²⁾	IEC 60664-1	1 (2)									
Installation category	IEC 60664-1	I									
Insulation group	IEC 60664-1	II, 400 ≤ CTI < 600									
Current rating	IEC 60512-5-2 UL 1977	10A/+40°C		7A/+40°C					3A/+40°C		
Insulation resistance	IEC 60512-3-1	>10 ¹⁰ Ohm ³⁾									
Contact resistance	IEC 60512-2-1	<5mOhm									
Climatic category	IEC 60668-1	40 / 100 / 56									
Temperatur range	IEC 60668-1	-40°C...+100°C / -40°F...+212°F									
IP degree	IEC 60529	IP 40									
Insertion and withdrawal force	IEC 60512-13-2	25N	30N	35N	35N	50N	55N	55N	60N	50N	50N
mechanical operation	IEC 60512-9-1	Silver ≥500 mating cycles / Gold ≥1000 mating cycles									
housing material		brass and / or zinc die cast, nickel plated or thermoplast									
dielectric material		thermoplastic									
contacts		silver or gold plated, please order contacts separately acc to drawing M-N 01 015 00XX X (3-8pol) or M-N 01 010 0158 X (12-14pol)									
termination technique		crimp									
wire gauge		0,09-1,0mm ²		0,09-0,75 mm ²	0,09-1,0 mm ²	0,09-0,75mm ²			0,09-0,25mm ²		
flamability		UL 94 VO									
locking system		metal screw coupling; tightening torque 0,7 - 1,5 Nm									

¹⁾ Edition 2000-05

²⁾ values in brackets are according to DIN EN 61076-2-106

³⁾ under operating conditions >10⁸ Ohm

Do not connect or disconnect under load. Metal housing parts shall be securely incorporated to protected ground. All technical data have been measured in a laboratory environment and can be different during practical usage of the product. Any product information is for descriptive usage only and not legally binding; particularly the information does not constitute or provide any legal guaranties ("Beschaffungsgarantie" or "Haltbarkeitsgarantie").

	14 (14-a)	T 3652 150 U
	12 (12-a)	T 3637 150 U
	8 (08-a)	T 3506 150 U
	7 (07-b)	T 3486 150 U
	7 (07-a)	T 3477 150 U
	6 (6-a)	T 3402 150 U
	5 (05-b)	T 3358 150 U
	5 (05-a)	T 3362 150 U
	4 (04-a)	T 3302 150 U
	3 (03-a)	T 3262 150 U
	2 (Pin 1+3)	T 3202 150 U
Contact arrangement View on mating side	Number of contacts (Contact arrangement acc. DIN EN 61076-2-106)	Part number

Gewicht (errechnet) / Calc WT: 15,793 g	Zul. Abw./Tolerances:	Maßstab / Scale: 2:1;1:1	A3	
Prüfmaß / Testdimension	ISO 2768-c	CUSTOMER DRAWING		
Teileindex / Partindexnumber:	DIN / ISO 13715	Male receptacle rear mounting		
Bagatelle change:	Gez. 14.06.2021	M CA T 3XXX 150 U		
	Drawn MCARLE	Blatt / Sheet 1		
	Status Released	1 Bl.		
	Gepr. 16.06.2021	Ers. f. / Replacement for:		
	Checked MBERTSCH			
	Amphenol Tuchel Industrial GmbH			
01	202100006	15.06.2021	MCARLE	
Index	Änderung / Description	Datum / Date	Name	

Weitergabe sowie Vervielfältigung dieser Unterlage, Verwertung und Mitteilung ihres Inhalts nicht gestattet, soweit nicht ausdrücklich zugestanden. Zuwiderhandlungen verpflichten zu Schadensersatz. Alle Rechte für den Fall der Patenterteilung oder Gebrauchsmuster-Eintragung vorbehalten.

FAI2021-002707
 NXM-V03