



TAI-SAW TECHNOLOGY CO., LTD.

No. 3, Industrial 2nd Rd., Ping-Chen Industrial District,
Taoyuan, 324, Taiwan, R.O.C.

TEL: 886-3-4690038 FAX: 886-3-4697532

E-mail: tstsales@mail.taisaw.com Web: www.taisaw.com

Product Specifications Approval Sheet

Product Description: SAW Filter 1588.655 MHz (BW 34.47MHz) SMD 1.1X0.9mm

TST Parts No.:TA2154A

Customer Parts No.: _____

Company: _____
Division: _____
Approved by : _____
Date: _____

Checked by: _____ Michael Yang *Michael*

Approval by: _____ Bob Chau *Bob Chau*

Date: _____ 2017/5/26

1. Customer signed back is required before TST can proceed with sample build and receive orders.
2. Orders received without customer signed back will be regarded as agreement on the specifications.
3. Any specifications changes must be approved upon by both parties and a new revision of specifications shall be released to reflect the changes



TAI-SAW TECHNOLOGY CO., LTD.

No. 3, Industrial 2nd Rd., Ping-Chen Industrial District,
Taoyuan, 324, Taiwan, R.O.C.

TEL: 886-3-4690038 FAX: 886-3-4697532

E-mail: tstsales@mail.taisaw.com Web: www.taisaw.com

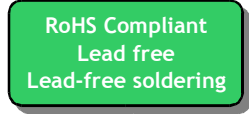
SAW Filter 1588.655 MHz (BW 34.47Hz) SMD 1.1x0.9x0.5mm

MODEL NO.:TA2154A

REV. NO.:1.0

A. MAXIMUM RATING:

1. Input Power Level: 10 dBm
2. DC Voltage : 3V
3. Operating Temperature: -30°C to +85°C
4. Storage Temperature: -40°C to +85°C



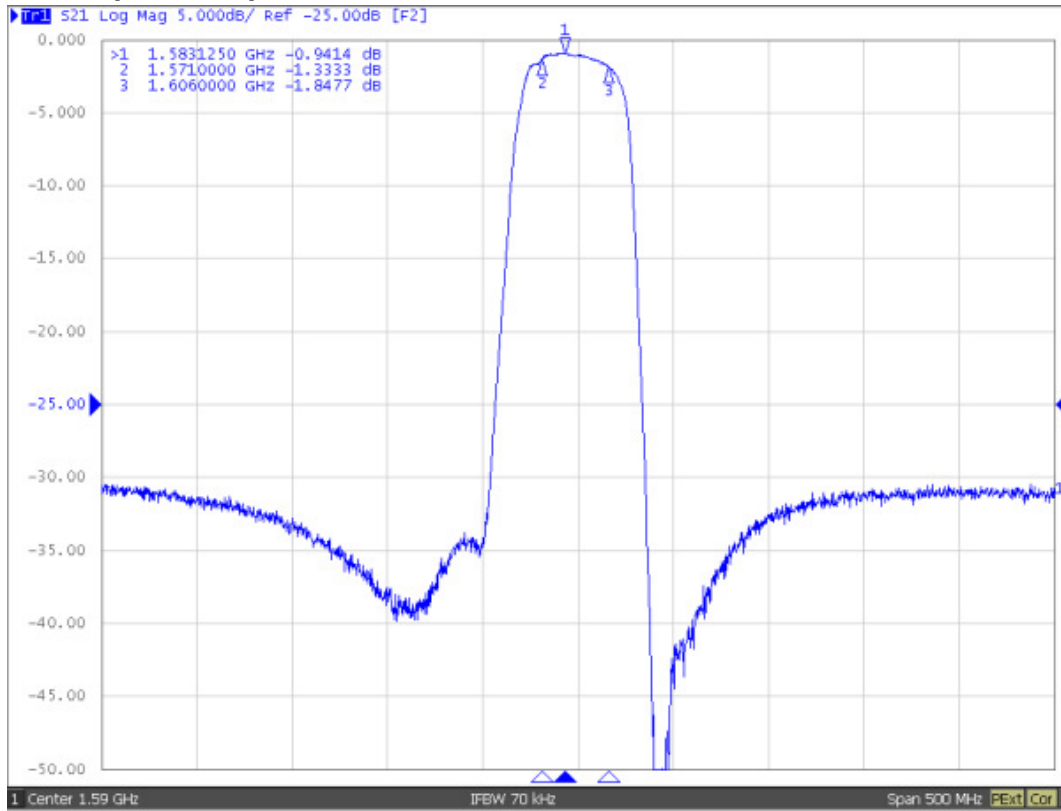
Electrostatic Sensitive Device (ESD)

B. ELECTRICAL CHARACTERISTICS:

Item	Unit	Min.	Type.	Max.	Note
Center Frequency Fc	MHz	-	1588.655	-	-
Insertion Loss (1573.42~1577.42MHz) IL	dB	-	1.25	1.7	-
Insertion Loss (1571.42~1605.89 MHz) IL		-	1.7	2.5	-
VSWR (1573.42~1577.42 MHz)		-	1.2	2	
VSWR (1571.42~1605.89 MHz)		-	1.6	2	
Amplitude ripple (1573.42~1577.42MHz)	dB	-	0.25	0.8	-
Amplitude ripple (1571.42~1605.89 MHz)	dB	-	0.7	1.5	
Attenuation					-
DC ~ 824 MHz	dB	30	32	-	
824 ~ 849 MHz	dB	30	32	-	-
849 ~ 880 MHz	dB	30	32	-	-
880 ~ 915 MHz	dB	30	32	-	-
915 ~ 1452 MHz	dB	28	30	-	
1452 ~ 1525 MHz	dB	32	35	-	-
1525 ~ 1536 MHz	dB	30	35	-	-
1626 ~ 1636 MHz	dB	30	35	-	-
1710 ~ 1785 MHz	dB	30	32	-	-
1785 ~ 1850 MHz	dB	30	32	-	-
1850 ~ 6000 MHz	dB	25	30	-	-
Package size	mm	SMD 1.1x0.9			

C.FREQUENCY CHARACTERISTICS:

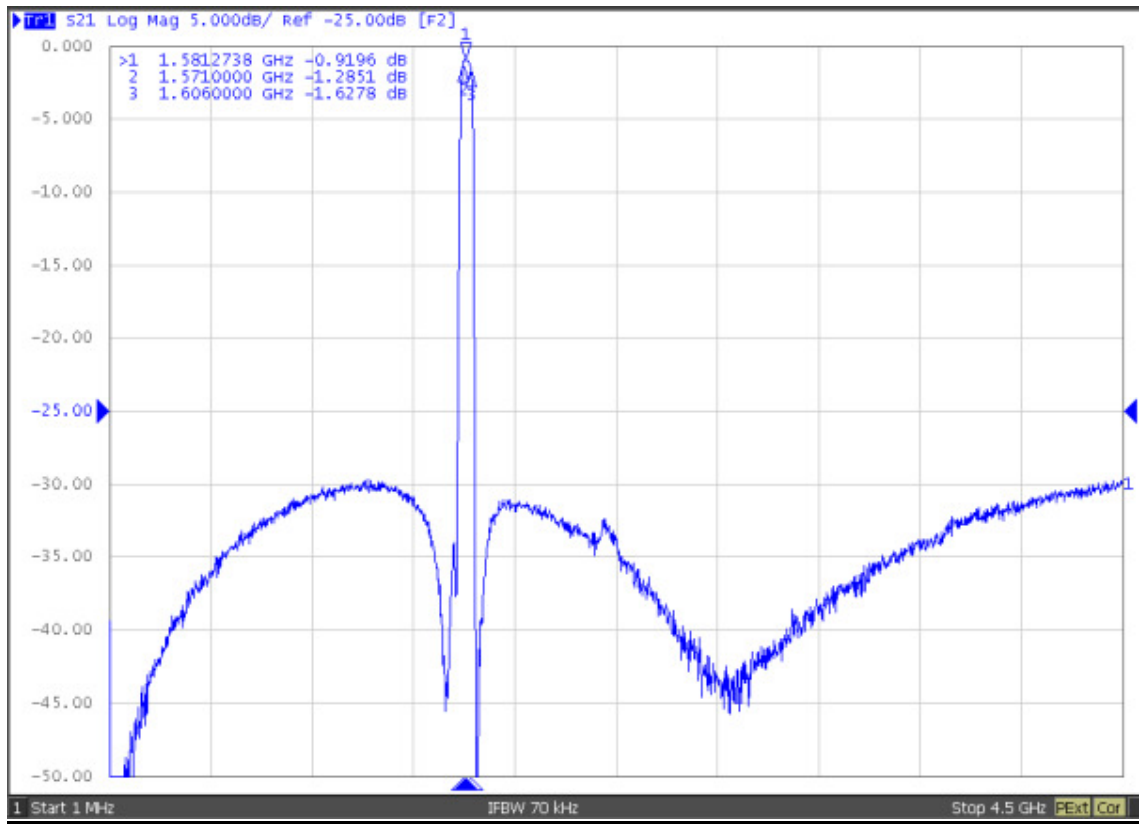
S21 response: (span 500MHz)



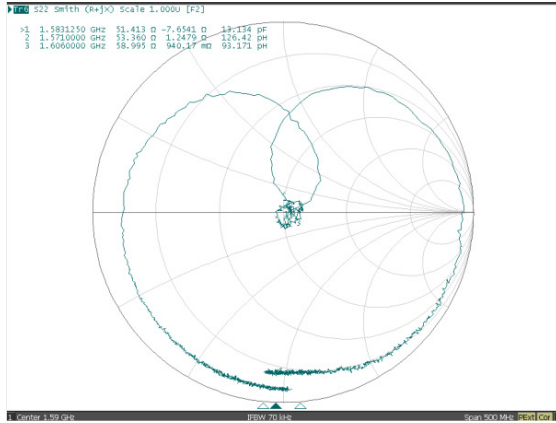
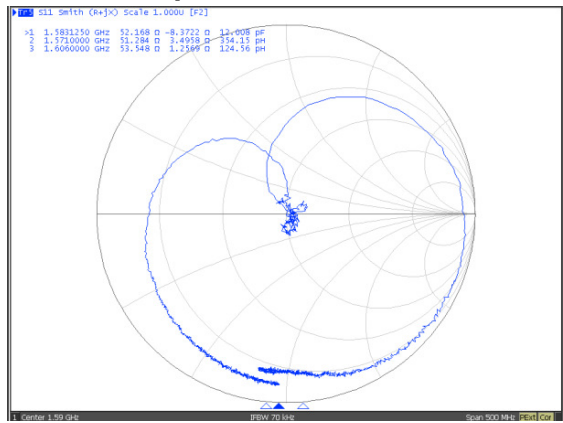
S21 response: (span 200MHz)



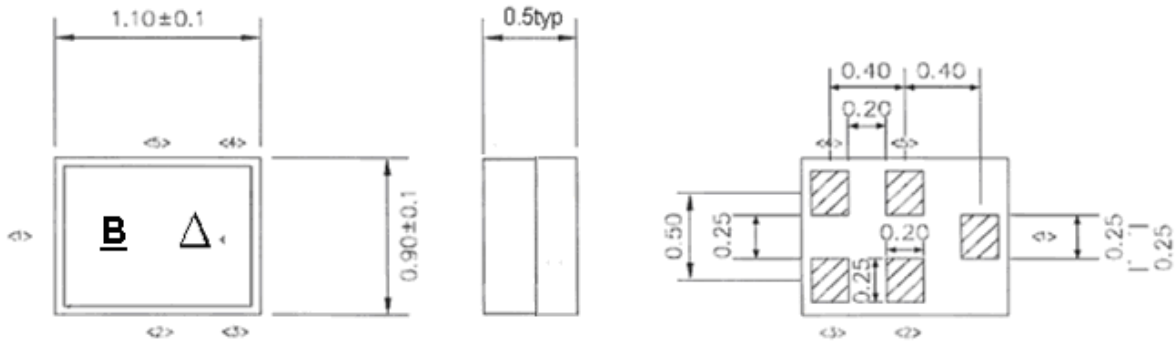
S21 response: (span 4.5GHz)



S11/S22 response:



D. OUTLINE DRAWING:



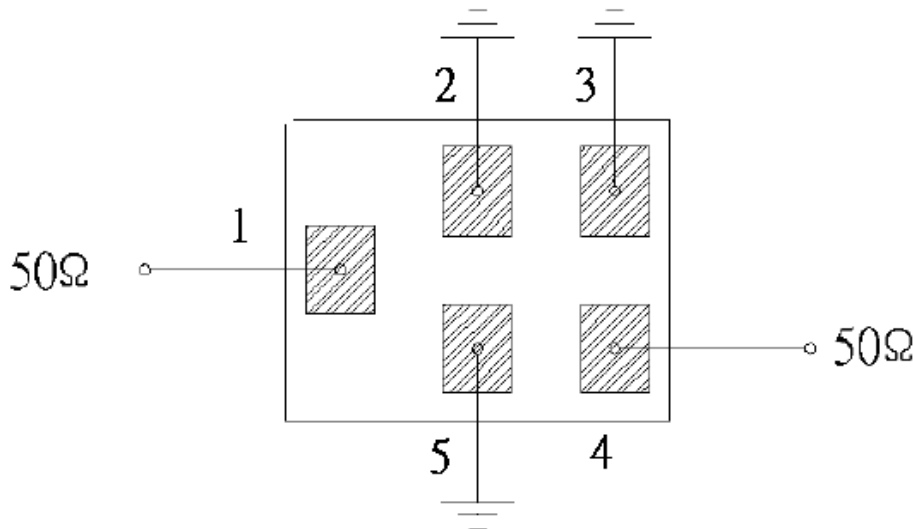
Unit: mm

Pin No.	Symbol	Function
1	IN	Unbalanced pin
2	GND	Ground
3	GND	Ground
4	OUT	Unbalanced pin
5	GND	Ground

Δ : Year/Month Code (Follow the table)

YEAR/Month	1	2	3	4	5	6	7	8	9	10	11	12
2013	A	B	C	D	E	F	G	H	J	K	L	M
2014	N	P	Q	R	S	T	U	V	W	X	Y	Z
2015	a	b	c	d	e	f	g	h	j	k	l	m
2016	n	p	q	r	s	t	u	v	w	x	y	z
2017	<u>A</u>	<u>B</u>	<u>C</u>	<u>D</u>	<u>E</u>	<u>F</u>	<u>G</u>	<u>H</u>	<u>J</u>	<u>K</u>	<u>L</u>	<u>M</u>
2018	<u>N</u>	<u>P</u>	<u>Q</u>	<u>R</u>	<u>S</u>	<u>T</u>	<u>U</u>	<u>V</u>	<u>W</u>	<u>X</u>	<u>Y</u>	<u>Z</u>
2019	<u>a</u>	<u>b</u>	<u>c</u>	<u>d</u>	<u>e</u>	<u>f</u>	<u>g</u>	<u>h</u>	<u>j</u>	<u>k</u>	<u>l</u>	<u>m</u>
2020	<u>n</u>	<u>p</u>	<u>q</u>	<u>r</u>	<u>s</u>	<u>t</u>	<u>u</u>	<u>v</u>	<u>w</u>	<u>x</u>	<u>y</u>	<u>z</u>

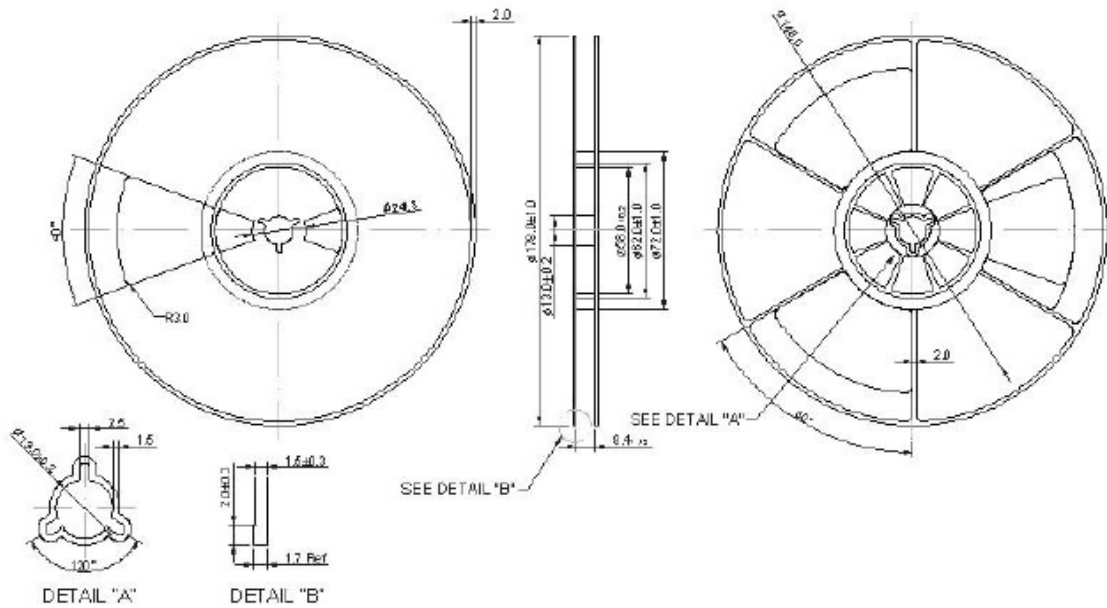
E. MEASUREMENT CIRCUIT:



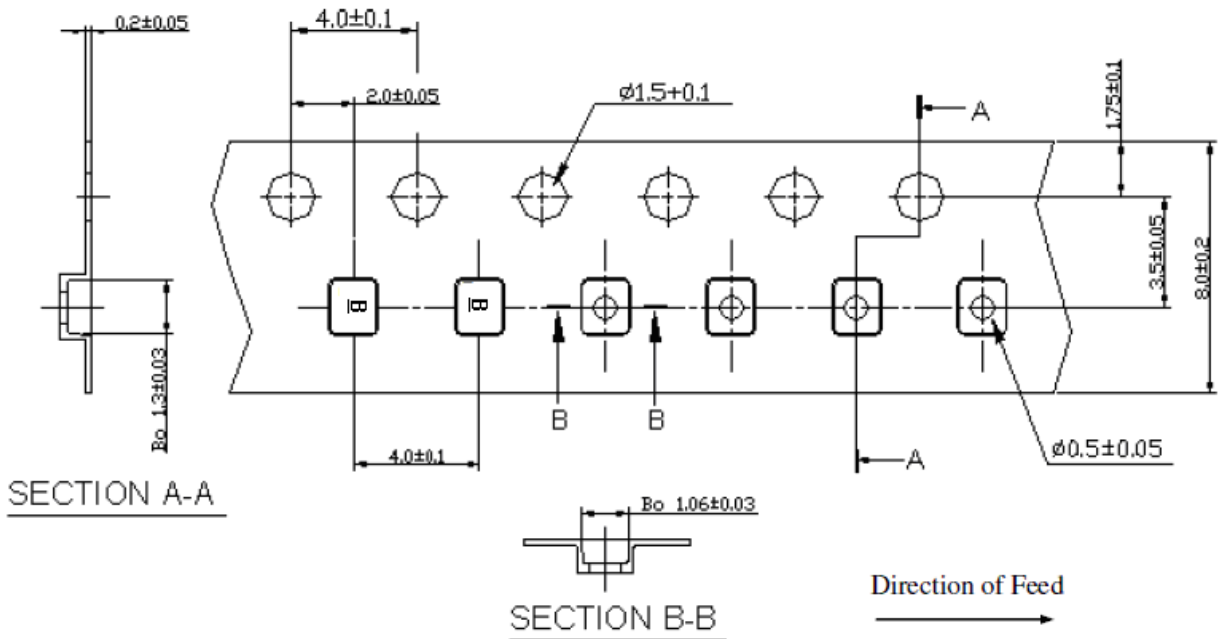
F. PACKING:

1. REEL DIMENSION

(Please refer to FR-75D10 for packing quantity)



2. TAPE DIMENSION



G. RECOMMENDED REFLOW PROFILE :

1. Preheating shall be fixed at 150~180°C for 60~90 seconds.
2. Ascending time to preheating temperature 150°C shall be 30 seconds min.
3. Heating shall be fixed at 220°C for 50~80 seconds and at 260°C+0/-5°C peak (20~40sec).
4. Time: 2 times.

