

|                   |  |
|-------------------|--|
| <b>Company</b>    | Trenz Electronic GmbH                    |
| <b>PCN Number</b> | PCN-20210615                             |
| <b>Title</b>      | TE0820-04 eMMC Change and Product Update |
| <b>Subject</b>    | BOM change                               |
| <b>Issue Date</b> | 2021-07-22                               |

## 1 Products Affected

This change affects all Trenz Electronic TE0820 SoMs of revision 04 with eMMC from manufacturer ISSI:

| Affected Product   | eMMC Capacity | Replacement        |
|--------------------|---------------|--------------------|
| TE0820-04-2AE21FA  | 8GB           | TE0820-04-2AE21MA  |
| TE0820-04-2AI21FA  | 8GB           | TE0820-04-2AI21MA  |
| TE0820-04-2BE21FA  | 8GB           | TE0820-04-2BE21MA  |
| TE0820-04-2BE21FAJ | 8GB           | TE0820-04-2BE21MAJ |
| TE0820-04-2BE21FL  | 8GB           | TE0820-04-2BE21ML  |
| TE0820-04-2BE21-V1 | 8GB           | TE0820-04-S002C1   |
| TE0820-04-2BI21FA  | 8GB           | TE0820-04-2BI21MA  |
| TE0820-04-2BI21FL  | 8GB           | TE0820-04-2BI21ML  |
| TE0820-04-3AE21FA  | 8GB           | TE0820-04-3AE21MA  |
| TE0820-04-3BE21FA  | 8GB           | TE0820-04-3BE21MA  |
| TE0820-04-3BE21FL  | 8GB           | TE0820-04-3BE21ML  |
| TE0820-04-4AE21FA  | 8GB           | TE0820-04-4AE21MA  |
| TE0820-04-4AI21FI  | 8GB           | TE0820-04-4AI21MI  |
| TE0820-04-4BI21KL  | 64GB          | TE0820-04-4BI21PL  |
| TE0820-04-4DE21FA  | 8GB           | TE0820-04-4DE21MA  |

| Affected Product  | eMMC Capacity | Replacement       |
|-------------------|---------------|-------------------|
| TE0820-04-4DI21FA | 8GB           | TE0820-04-4DI21MA |
| TE0820-04-5DI21FA | 8GB           | TE0820-04-5DI21MA |
| TE0820-04-5DR21FA | 8GB           | TE0820-04-5DR21MA |

## 2 Changes

---

### 2.1 #1 Change eMMC (U6) from IS21ES08G-JCLI / IS21ES64G-JCLI to SDINBDG4-8G-XI2 / SDINBDG4-64G-XI2

---

**Type:** BOM change

**Reason:** Distributor informed about unforeseeable immediate EOL of parts. No official documents from manufacturer are available. No LTB, already confirmed orders were canceled by distributor/manufacturer.

**Impact:** None. Replacement has same capacity as used on corresponding affected variant. Reference designs for vivado versions 2019.2 and 2020.2 were tested and work properly without any changes.

### 2.2 #2 Clock Revision Change (U14) SiT8008AI-73-XXS-52.000000E to SiT8008BI-73-XXS-52.000000E

---

**Type:** BOM change

**Reason:** Switch to actual revision. Revision A devices may be discontinued.

**Impact:** None.

### 2.3 #3 Change Ferrite Beads (L1, L2, L3, L4, L5, L7, L9, L10, L11, L12) BKP0603HS121-T to MPZ0603S121HT000

---

**Type:** BOM change

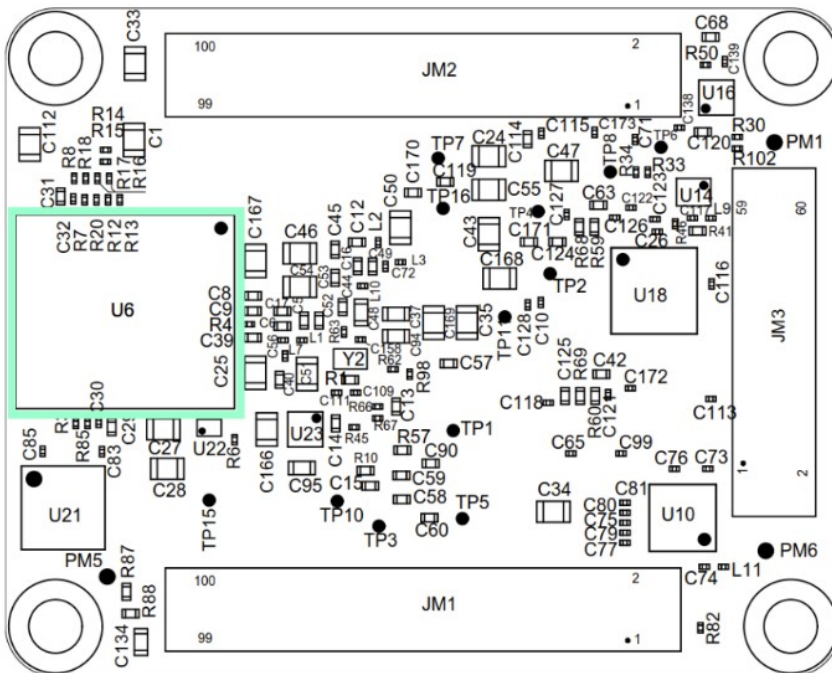
**Reason:** Part is NRND and EOL announced.

**Impact:** None. DC resistance decreased from 150mOhm to 130mOhm, rated current increased from 0.85A to 1A.

## 3 Method of Identification

---

Locate eMMC (U6) on top side of PCB:



| old   | new  |
|---|--|
| <p><b>IS21ES08G-JCLI</b><br/>or<br/><b>IS21ES64G-JCLI</b></p>                       | <p><b>SDINBDG4-8G-XI2</b><br/>or<br/><b>SDINBDG4-64G-XI2</b></p>                     |
|  |  |

Remark: 8GB versions are shown in figures above, chip marking of 64GB version looks accordingly.

## 4 Production Shipment Schedule

---

From mid of August 2021, after old stock is gone, all variants above are replaced by the corresponding variants.

## 5 Contact Information

---

If you have any questions related to this PCN, please contact Trenz Electronics Technical Support at

- [forum.trenz-electronic.de](http://forum.trenz-electronic.de)<sup>1</sup>
- [wiki.trenz-electronic.de](http://wiki.trenz-electronic.de)<sup>2</sup>
- [support@trenz-electronic.de](mailto:support@trenz-electronic.de)<sup>3</sup> (subject = PCN-20210615)
- phone
  - national calls: 05741 3200-0
  - international calls: +49 5741 3200-0

## 6 Disclaimer

---

Any projected dates in this PCN are based on the most current product information at the time this PCN is being issued, but they may change due to unforeseen circumstances. For the latest schedule and any other information, please contact your local Trenz Electronic sales office, technical support or local distributor.

---

<sup>1</sup> <http://forum.trenz-electronic.de/>

<sup>2</sup> <http://wiki.trenz-electronic.de/>

<sup>3</sup> <mailto:support@trenz-electronic.de?subject=PCN-20210615>