

## DAB One-Chip Channel- and Source Decoder



### Description

The U2739M-B is an integrated circuit in advanced CMOS technology for demodulation and decoding of a DAB signal according to ETS 300 401. The channel decoder part includes the main features OFDM demodulation & decoding and time & frequency synchronization algorithms, using the embedded OAK DSP core.

The source decoder consists of an audio and a data decoder part. The audio source decoder supports ISO MPEG 1,2 layer 2 and the data decoder offers 2 independent packet mode decoders.

Several standard interfaces, like I<sup>2</sup>C/L3, I<sup>2</sup>S, SPDIF or RDI are implemented to offer a flexible utilization.

Moreover the U2739M-B includes a mechanism to replace respectively extend certain software modules by using a special boot mode (so-called USE). For example, the time & frequency synchronization modules can be replaced by down-loading the corresponding user software algorithms to the OAK DSP core.

Electrostatic sensitive device.

Observe precautions for handling.



### Block Diagram

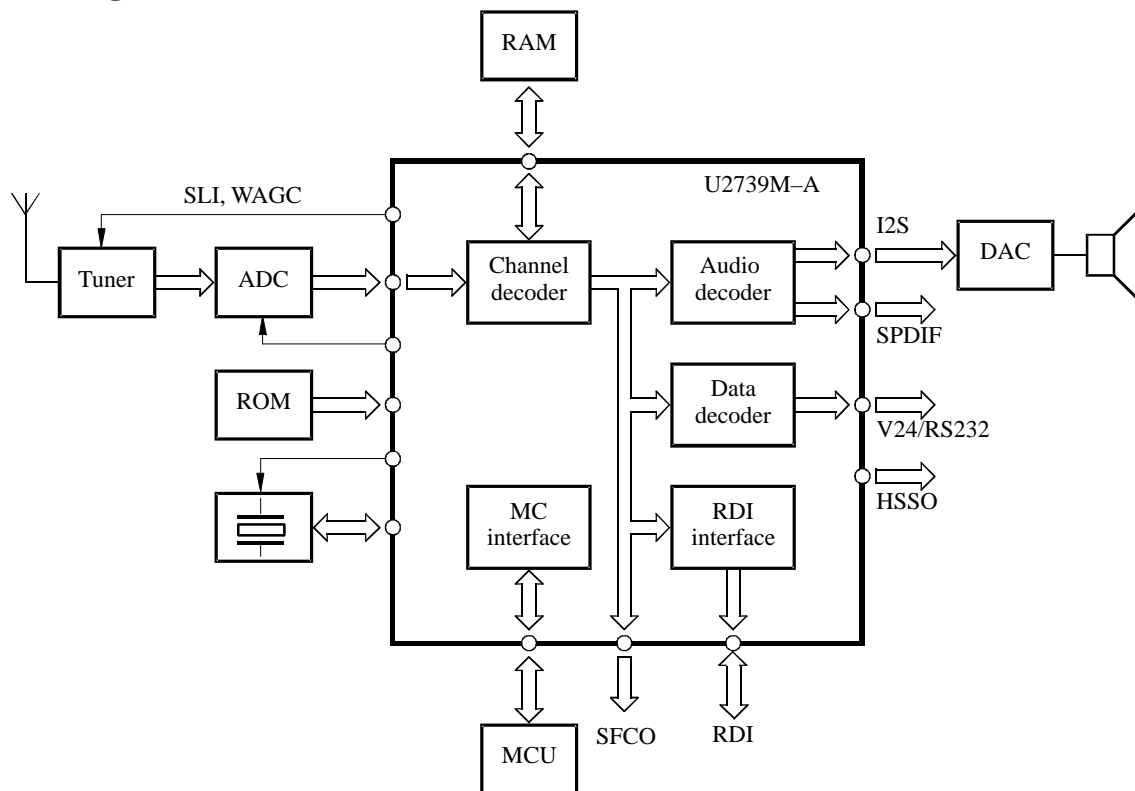


Figure 1. Block diagram

### Ordering Information

Extended Type Number	Package	Remarks
U2739M-BFT	T-PQFP-G100	Tray
U2739M-BFC	CQFP144	Tray

## Table of Contents

<b>1</b>	<b>Features</b> .....	<b>5</b>
1.1	General .....	5
1.2	Channel Decoder .....	5
1.3	Audio Source Decoder .....	5
1.4	Data Decoder .....	5
1.5	Interfaces .....	6
<b>2</b>	<b>Functional Block Diagram</b> .....	<b>6</b>
<b>3</b>	<b>Pin Description</b> .....	<b>7</b>
<b>4</b>	<b>Strap Pins</b> .....	<b>10</b>
<b>5</b>	<b>Pin Configuration</b> .....	<b>11</b>
<b>6</b>	<b>Interface Description</b> .....	<b>14</b>
6.1	Overview .....	14
6.2	ADC Interface .....	14
6.2.1	ADC Interface Signal Description .....	14
6.2.2	ADC Interface Description .....	15
6.2.3	ADC Interface Timing Diagram .....	15
6.2.4	ADC Interface Timing Parameters .....	15
6.3	Tuner Interface .....	16
6.3.1	Tuner Interface Signal Description .....	16
6.3.2	Tuner Interface Description .....	16
6.4	MC Interface .....	16
6.4.1	MC Interface Signal Description .....	16
6.4.2	MC Interface Description .....	16
6.4.3	L3 Bus Interface Timing Diagram .....	17
6.4.4	L3 Bus Timing Parameter .....	18
6.4.5	I2C Bus Interface Timing Diagram .....	18
6.4.6	I2C Bus Timing Parameter .....	18
6.5	C-Bus / BOOT Bus Interface .....	19
6.5.1	C-Bus Signal Description .....	19
6.5.2	C-Bus / BOOT Bus Interface Description .....	20
6.5.3	BOOT Bus Timing Diagram .....	20
6.5.4	BOOT Bus Timing Parameter .....	20
6.6	SRAM Interface .....	21
6.6.1	SRAM Interface Signal Description .....	21
6.6.2	SRAM Interface Descriptions .....	21
6.6.3	SRAM Interface Timing Diagram .....	22
6.6.4	SRAM Interface Timing Parameter .....	23
6.7	VCXO Interface .....	23
6.7.1	VCXO Interface Signal Description .....	23
6.7.2	VCXO Interface Description .....	23

## Table of Contents (continued)

6.8	Audio Interfaces .....	24
6.8.1	I2S Interface Signal Description .....	24
6.8.2	I2S Interface Description .....	24
6.8.3	I2S Interface Timing Diagram .....	24
6.8.4	I2S Interface Timing Parameter .....	24
6.8.5	SP-DIF Interface Signal Description .....	24
6.8.6	SP-DIF Interface Description .....	25
6.8.7	SP-DIF Interface Timing Parameter .....	25
6.8.8	SP-DIF Interface Timing Diagram .....	25
6.9	RDI Interface .....	25
6.9.1	RDI Interface Signal Description .....	25
6.9.2	RDI Interface Description .....	25
6.9.3	RDI Interface Timing Diagram .....	25
6.9.4	RDI Interface Timing Parameter .....	26
6.10	SFCO Interface .....	26
6.10.1	SFCO Interface Signal Description .....	26
6.10.2	SFCO Interface Description .....	26
6.10.3	SFCO Interface Timing Diagram .....	27
6.10.4	Detailed SFCO Interface Timing Diagram .....	28
6.10.5	SFCO Interface Timing Parameter .....	29
6.11	RS232 Interface .....	29
6.11.1	RS232 Interface Signal Description .....	29
6.11.2	RS232 Interface Description .....	29
6.11.3	RS232 Interface Timing Diagram .....	29
6.11.4	RS232 Interface Timing Parameter .....	29
6.12	HSSO Interface .....	30
6.12.1	HSSO Interface Signal Description .....	30
6.12.2	HSSO Interface Description .....	30
6.12.3	HSSO Interface Timing Diagram .....	30
6.12.4	HSSO Interface Timing Parameters .....	30
<b>7</b>	<b>Electrical Characteristics .....</b>	<b>31</b>
7.1	Absolute Maximum Ratings .....	31
7.2	Operating Range .....	31
7.3	DC Characteristics .....	31
<b>8</b>	<b>MC Command Set .....</b>	<b>32</b>
8.1	'Set System' Commands .....	32
8.1.1	Set DAB System Mode .....	32
8.1.2	Set ASD .....	33
8.1.3	Set DD1 .....	35
8.1.4	Set DD2 .....	36
8.1.5	Set CIF Counter and Occurrence Change .....	37
8.1.6	Set Current SBCHID Long Form .....	38
8.1.7	Set Next SBCHID Long Form .....	40
8.1.8	Set Current SBCHID Short Form .....	42

## Table of Contents (continued)

8.2	'Set Configuration' Commands .....	43
8.2.1	Set Global Configuration .....	43
8.2.2	Set TS Configuration .....	44
8.2.3	Set FS Configuration .....	46
8.2.4	Set XO Configuration .....	47
8.2.5	Set HSSO / RS232 Configuration .....	48
8.2.6	Set WAGC Configuration .....	50
8.2.7	Set RCC Slot Configuration .....	51
8.2.8	Set RFU .....	52
8.3	'Read Status' Commands .....	53
8.3.1	Read Global Status .....	53
8.3.2	Read Synchronization Status .....	55
8.3.3	Read CIR Status .....	56
8.4	'Read Data' Commands .....	57
8.4.1	Read ASD Header Data .....	57
8.4.2	Read X-PAD .....	58
8.4.3	Read F-PAD .....	59
8.4.4	Read AIC Data .....	60
8.4.5	Read TII Data .....	61
8.4.6	Read EFC Data .....	62
8.4.7	Read FIC Data .....	63
8.4.8	Read RCC Slot .....	64
8.4.9	Read Slot Pointer .....	65
8.4.10	Read RFU .....	66
<b>9</b>	<b>Package Information .....</b>	<b>67</b>

## 1 Features

### 1.1 General

- Support of mode I, II, III and IV acc. to ETS 300 401
- Time & frequency synchronization with a wide-range parameter set
- Optional implementation of user-defined synchronization strategy by using USE boot mode
- Flexible software configuration:  
set 1 – (temic kernel), set 2 – (user extension) concept
- Automatic mode detection (AMD)
- FIC on-chip memory, access via MC interface
- Generation of receiver status information
- Generation of tuner control signals
- Generation of pulse width modulated VCXO control signal
- Power supply 3.3 V, master clock 24.576 MHz
- Plastic TQFP100 package or
- Ceramic QFP144 package for software development

### 1.2 Channel Decoder

- Demodulation and decoding of up to 64 UEP/EEP sub-channels
- Support of dynamic multiplex reconfiguration (DMR) without mute state
- Digital Null-Symbol detection (FSYNCH generation)
- Channel filtering (48 dB)
- Optional SAW filter equalization
- Digital AFC (freq. tolerance < 0.5 Hz for mode I)

- Digital AGC with a wide gain control range
- Off-chip de-interleaver memory for full 1.8 Mbit/s decoding data rate
- Time & frequency synchronization on DSP OAK core
- Support of TII decoding and corresponding RDI insertion (set 2)

### 1.3 Audio Source Decoder

- Supports MPEG1 layer II streams according to ISO/IEC 11172/3
- Supports MPEG2 layer II (half sampling rate) streams according to ISO/IEC 13818-3
- Supports all bit rates defined in the ETS 300 401 standard
- I<sup>2</sup>S and SPDIF output interfaces
- Programmable fader
- Programmable DRC
- PAD extraction

### 1.4 Data Decoder

- 2 independent packet mode decoder
- Flexible configuration via MC commands
- Data group length limited to ~1 kbyte each
- Output via HSSO or V24
- DD1 option: FIDC decoder
- Support of AIC decoding (set 2)

## 1.5 Interfaces

- Source decoder output interface: I<sup>2</sup>S and SPDIF
- Data decoder output interface: V24 or HSSO
- Channel decoder output interface: RDI and SFCO
- Microcontroller interface: I<sup>2</sup>C/L3
- RDI:
  - Extended high capacity mode
  - IEC 958 format
  - RDI control channel (RCC)
- SFCO simple full capacity output:
  - window-, serial sub-channel identifier (SbChId)-, data-, error- and clock line
  - 3.072 MHz burst mode interface
- 10-bit ADC interface:
  - ADC sampling clock generation
  - ADC binary or 2's complement format selection
  - support of several intermediate frequencies
- DSP OAK core bootstrap ROM interface
- Voltage controlled reference oscillator (VCXO) interface
- Time de-interleaver SRAM (4 Mbit) interface
- High speed serial output HSSO (PAD, DD1, DD2, CIR) interface, 3-line serial burst mode interface

## 2 Functional Block Diagram

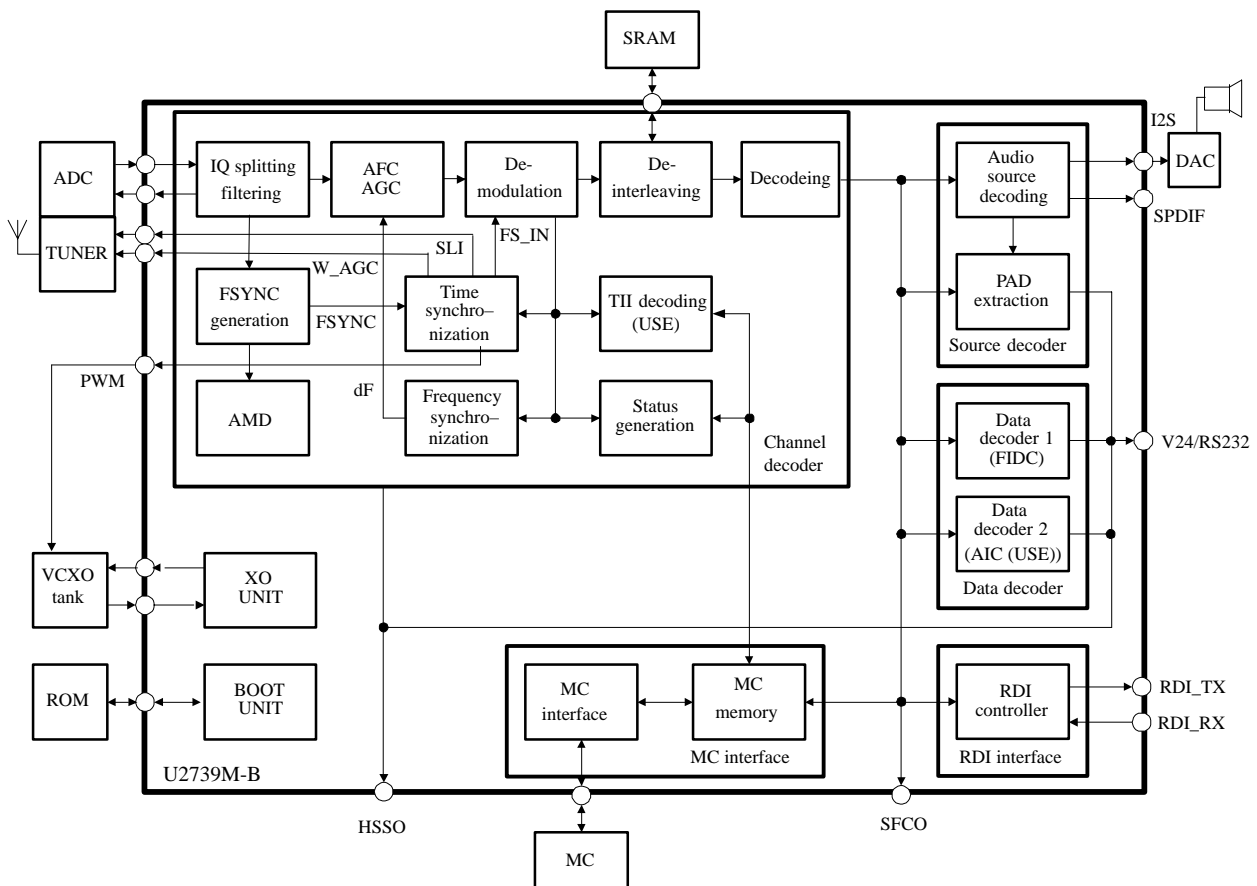


Figure 2. Functional block diagram

## 3 Pin Description

QFP144	QFP100	Pin Name	Signal Description	Pad Type	Dir.	5 V Tol.
1	1	ADC_CLK	ADC sampling clock output 8.192 MHz	PDO04T	out	
2		TIN0	Test input 0 (pull down)	PDDZ	in	x
3		TIN1	Test input 1 (pull down)	PDDZ	in	x
4	2	ADC_DATA9	ADC data input, bit 9 (MSB)	PDIZ	in	x
5	3	ADC_DATA8	ADC data input, bit 8	PDIZ	in	x
6	4	ADC_DATA7	ADC data input, bit 7	PDIZ	in	x
7	5	ADC_DATA6	ADC data input, bit 6	PDIZ	in	x
8		TIN2	Test input 2 (pull down)	PDDZ	in	x
9		DVSSE	Ground	PVSS1Z, PVSS2Z	gnd	x
10	6	ADC_DATA5	ADC data input, bit 5	PDIZ	in	x
11	7	ADC_DATA4	ADC data input, bit 4	PDIZ	in	x
12	8	ADC_DATA3	ADC data input, bit 3	PDIZ	in	x
13	9	ADC_DATA2	ADC data input, bit 2	PDIZ	in	x
14		TIN3	Test input 3 (pull down)	PDDZ	in	x
15		TIN4	Test input 4 (pull down)	PDDZ	in	x
16	10	ADC_DATA1	ADC data input, bit 1	PDIZ	in	x
17	11	ADC_DATA0	ADC data input, bit 0 (LSB)	PDIZ	in	x
18	12	DVSS1	Digital ground	PVSS1Z, PVSS2Z	gnd	x
19	13	AVSS1	Analog ground	PVSS3Z	gnd	x
20	14	XIN	Oscillator input	PDX02	osc	
21	15	XOUT	Oscillator output	(PDX02)	osc	
22	16	AVDD1	Analog power supply	PVDD3Z	pwr	
23		/C_DR	C-bus data read enable	PRO04T	out	
24	17	/RS	Low active reset	PDIZ	in	x
25	18	PWM	Pulse width modulated control output	PRO04T	out	
26		/C_DW	C-bus data write enable	PRO04T	out	
27	19	W_AGC	Window AGC	PRO04T	out	
28	20	SLI	Synchronization lock indicator	PRO04T	out	
29		/C_PR	C-bus program read enable	PRO04T	out	
30	21	HSSO_WIN	HSSO window signal	PRO04T	out	
31		/C_PW	C-bus program write enable	PRO04T	out	
32	22	HSSO_CLK	HSSO clock signal	PRO04T	out	
33		/ABORT	Low active ABORT signal (pull up)	PDUZ	in	x
34	23	HSSO_DAT	HSSO data signal	PRO04T	out	
35	24	C_ADD0	C-bus address bit 0 (LSB)	PRO04T	out	
36	25	C_ADD1	C-bus address bit 1	PRO04T	out	
37	26	/BOOT_RE	BOOT read enable	PRO04T	out	
38	27	C_ADD2	C-bus address bit 2	PRO04T	out	
39	28	C_ADD3	C-bus address bit 3	PRO04T	out	
40	29	C_ADD4	C-bus address bit 4	PRO04T	out	
41	30	C_ADD5	C-bus address bit 5	PRO04T	out	
42	31	C_ADD6	C-bus address bit 6	PRO04T	out	
43		TOUT0	Test output bit 0	PRO02T	out	
44	32	C_ADD7	C-bus address bit 7	PRO04T	out	

QFP144	QFP100	Pin Name	Signal Description	Pad Type	Dir.	5 V Tol.
45	33	C_ADD8	C-bus address bit 8	PRO04T	out	
46	34	C_ADD9	C-bus address bit 9	PRO04T	out	
47	35	C_ADD10	C-bus address bit 10	PRO04T	out	
48	36	C_ADD11	C-bus address bit 11	PRO04T	out	
49	37	C_ADD12	C-bus address bit 12	PRO04T	out	
50	38	DVDD1	Digital power supply	PVDD1Z, PVDD2Z	pwr	x
51	39	C_ADD13	C-bus address bit 13	PRO04T	out	
52		C_ADD14	C-bus address bit 14	PRO04T	out	
53		C_ADD15	C-bus address bit 15	PRO04T	out	
54	40	C_DATA0/DBG	C-bus data bit 0 (pull down)	PRD04TZ	inout	x
55	41	C_DATA1/BOOT	C-bus data bit 1 (pull down)	PRD04TZ	inout	x
56		C_DATA8	C-bus data bit 8 (pull down)	PRD04TZ	inout	x
57		C_DATA9	C-bus data bit 9 (pull down)	PRD04TZ	inout	x
58	42	DVSS2	Digital ground	PVSS1Z, PVSS2Z	gnd	x
59	43	C_DATA2/URST	C-bus data bit 2 (pull down)	PRD04TZ	inout	x
60	44	C_DATA3/XUSE	C-bus data bit 3 (pull down)	PRD04TZ	inout	x
61		C_DATA10	C-bus data bit 10 (pull down)	PRD04TZ	inout	x
62		C_DATA11	C-bus data bit 11 (pull down)	PRD04TZ	inout	x
63	45	C_DATA4/PSPC	C-bus data bit 4 (pull down)	PRD04TZ	inout	x
64	46	C_DATA5/RDI_VBIT	C-bus data bit 5 (pull down)	PRD04TZ	inout	x
65		C_DATA12	C-bus data bit 12 (pull down)	PRD04TZ	inout	x
66		C_DATA13	C-bus data bit 13 (pull down)	PRD04TZ	inout	x
67	47	C_DATA6/XO12	C-bus data bit 6 (pull down)	PRD04TZ	inout	x
68	48	C_DATA7/ADE	C-bus data bit 7 (pull down)	PRD04TZ	inout	x
69		C_DATA14	C-bus data bit 14 (pull down)	PRD04TZ	inout	x
70		C_DATA15	C-bus data bit 15 (pull down)	PRD04TZ	inout	x
71	49	TEST_MODE/BYPP	Test mode selection (pull down)	PDDZ	in	x
72	50	MCM_TRIGGER	MCM trigger signal	PRO04T	out	
73	51	MC_MODE	Microcontroller mode signal	PDIZ	in	x
74	52	MC_CLK	Microcontroller clock signal	PDIZ	in	x
75	53	MC_DAT	Microcontroller data signal	PRB04TZ	inout	x
76		DVDDE	Digital power supply	PVDD1Z, PVDD2Z	pwr	x
77	54	SPDIF	SPDIF output	PRO04T	out	
78	55	RS232	RS232 output	PRO04T	out	
79	56	I2S_CLK	I2S clock output	PRO04T	out	
80	57	I2S_DAT	I2S data output	PRO04T	out	
81		TOUT1	Test output bit 1	PRO02T	out	
82	58	I2S_WIN	I2S win output	PRO04T	out	
83		TOUT2	Test output bit 2	PRO02T	out	
84	59	TOUT3	Test output bit 3	PRO02T	out	
85	60	RDI_RX	RDI receive data	PDIZ	in	x
86	61	RDI_TX	RDI transmit data	PRO04T	out	
87	62	DVSS3	Digital ground	PVSS1Z, PVSS2Z	gnd	x
88		TOUT4	Test output bit 4	PRO02T	out	



QFP144	QFP100	Pin Name	Signal Description	Pad Type	Dir.	5 V Tol.
89		TOUT5	Test output bit 5	PRO02T	out	
90	63	SFCO_SID	SFCO sub-channel ID	PRO04T	out	
91	64	SFCO_ERR	SFCO errorflag	PRO04T	out	
92	65	SFCO_DAT	SFCO data	PRO04T	out	
93		TOUT6	Test output bit 6	PRO02T	out	
94	66	SFCO_CLK	SFCO clock	PRO04T	out	
95	67	SFCO_WIN	SFCO window	PRO04T	out	
96		TOUT7	Test output bit 7	PRO02T	out	
97	68	DVDD2	Digital power supply	PVDD1Z, PVDD2Z	pwr	x
98	69	TOUT8	Test output bit 8	PRO02T	out	
99		TOUT9	Test output bit 9	PRO02T	out	
100	70	SRAM_D7	SRAM data bit 7	PRB04TZ	inout	x
101	71	SRAM_D6	SRAM data bit 6	PRB04TZ	inout	x
102		TOUT10	Test output bit 10	PRO02T	out	
103	72	SRAM_D5	SRAM data bit 5	PRB04TZ	inout	x
104	73	SRAM_D4	SRAM data bit 4	PRB04TZ	inout	x
105		TOUT11	Test output bit 11	PRO02T	out	
106	74	SRAM_D3	SRAM data bit 3	PRB04TZ	inout	x
107	75	SRAM_D2	SRAM data bit 2	PRB04TZ	inout	x
108		TOUT12	Test output bit 12	PRO02T	out	
109	76	SRAM_D1	SRAM data bit 1	PRB04TZ	inout	x
110	77	SRAM_D0	SRAM data bit 0	PRB04TZ	inout	x
111		TIN5	Test input 5 (pull down)	PDDZ	in	x
112	78	SRAM_WR	SRAM write signal	PRO04T	out	
113	79	SRAM_OE	SRAM output enable	PRO04T	out	
114	80	SRAM_A18	SRAM address bit 18	PRO04T	out	
115		TIN6	Test input 6 (pull down)	PDDZ	in	x
116	81	SRAM_A17	SRAM address bit 17	PRO04T	out	
117	82	SRAM_A16	SRAM address bit 16	PRO04T	out	
118		TOUT13	Test output bit 13	PRO02T	out	
119	83	SRAM_A15	SRAM address bit 15	PRO04T	out	
120	84	SRAM_A14	SRAM address bit 14	PRO04T	out	
121	85	DVSS4	Digital ground	PVSS1Z, PVSS2Z	gnd	x
122		TIN7	Test input 7 (pull down)	PDDZ	in	x
123	86	SRAM_A13	SRAM address bit 13	PRO04T	out	
124	87	SRAM_A12	SRAM address bit 12	PRO04T	out	
125		TOUT14	Test output bit 14	PRO02T	out	
126	88	SRAM_A11	SRAM address bit 11	PRO04T	out	
127	89	SRAM_A10	SRAM address bit 10	PRO04T	out	
128		TOUT15	Test output bit 15	PRO02T	out	
129	90	SRAM_A9	SRAM address bit 9	PRO04T	out	
130	91	SRAM_A8	SRAM address bit 8	PRO04T	out	

QFP144	QFP100	Pin Name	Signal Description	Pad Type	Dir.	5 V Tol.
131		TOUT16	Test output bit 16	PRO02T	out	
132	92	SRAM_A7	SRAM address bit 7	PRO04T	out	
133	93	SRAM_A6	SRAM address bit 6	PRO04T	out	
134	94	DVDD3	Digital power supply	PVDD1Z, PVDD2Z	pwr	
135		TOUT17	Test output bit 17	PRO02T	out	
136	95	SRAM_A5	SRAM address bit 5	PRO04T	out	
137	96	SRAM_A4	SRAM address bit 4	PRO04T	out	
138		TMUX0	Test mux in bit 0 (LSB) (pull down)	PDDZ	in	x
139	97	SRAM_A3	SRAM address bit 3	PRO04T	out	
140	98	SRAM_A2	SRAM address bit 2	PRO04T	out	
141		TMUX1	Test mix in bit 1 (pull down)	PDDZ	in	x
142	99	SRAM_A1	SRAM address bit 1	PRO04T	out	
143	100	SRAM_A0	SRAM address bit 0	PRO04T	out	
144		TMUX2	Test mux in bit 2 (pull down)	PDDZ	in	x

## 4 Strap Pins

QFP144	QFP100	Pin Name	Signal Description	Pad Type	Dir	Comment
16	10	ADC_DATA1	ADC data input, bit 1	PDIZ	in	Strap pin OCSEL 1
17	11	ADC_DATA0	ADC data input, bit 0	PDIZ	in	Strap pin OCSEL 0
54	40	C_DATA0/DBG	C-bus data bit 0	PRD04TZ	inout	Strap pin C_DATA0/DBG
55	41	C_DATA1/BOOT	C-bus data bit 1	PRD04TZ	inout	Strap pin C_DATA1/BOOT
59	43	C_DATA2/URST	C-bus data bit 2	PRD04TZ	inout	Strap pin C_DATA2/URST
60	44	C_DATA3/XUSE	C-bus data bit 3	PRD04TZ	inout	Strap pin C_DATA3/XUSE
63	45	C_DATA4/PSPC	C-bus data bit 4	PRD04TZ	inout	Strap pin C_DATA4/PSPC
64	46	C_DATA5/ RDI_VBIT	C-bus data bit 5	PRD04TZ	inout	Strap pin C_DATA5/RDI_VBIT 0 RDI spec.: validity bit 1 1 IEC958 spec.: validity bit 0
67	47	C_DATA6/XO12	C-bus data bit 6	PRD04TZ	inout	Strap pin C_DATA6/XO12 0 external oscillator 24.576 MHz 1 external oscillator 12.288 MHz
68	48	C_DATA7/ADE	C-bus data bit 7 ADC_DATA strap pin function enable	PRD04TZ	inout	Strap pin C_DATA7/ADE 0 ADC_DATA strap pin function disabled 1 ADC_DATA strap pin function enabled
71	49	TEST_MODE/BYPP	Test mode selection	PDDZ	in	Strap pin TEST_MODE/BYPP 0 PLL activated 1 PLL bypassed
73	51	MC_MODE	Microcontroller mode signal	PDIZ	in	Strap pin I2C/L3 0 I2C 1 L3

## 5 Pin Configuration

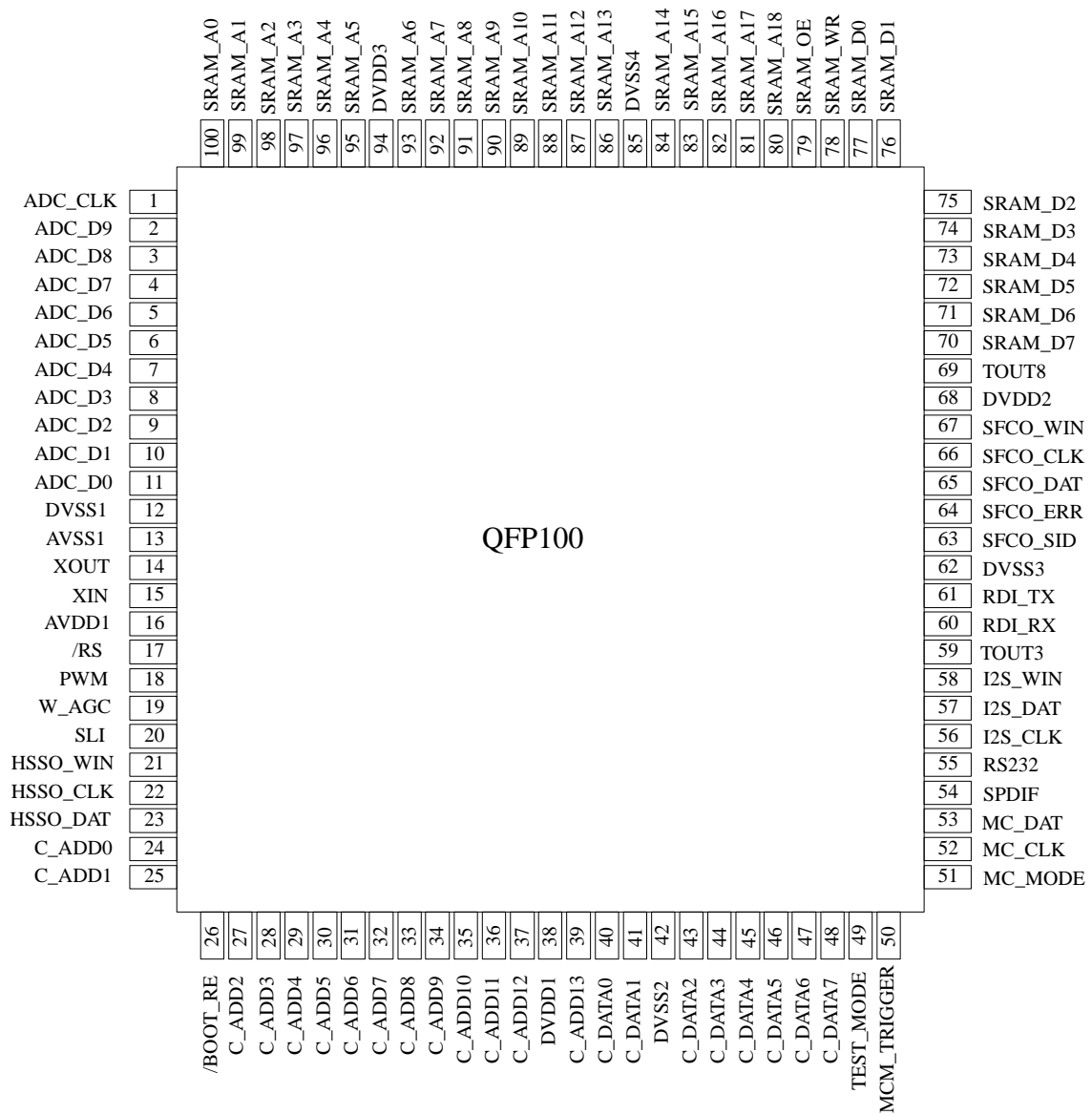


Figure 3. Production version QFP100

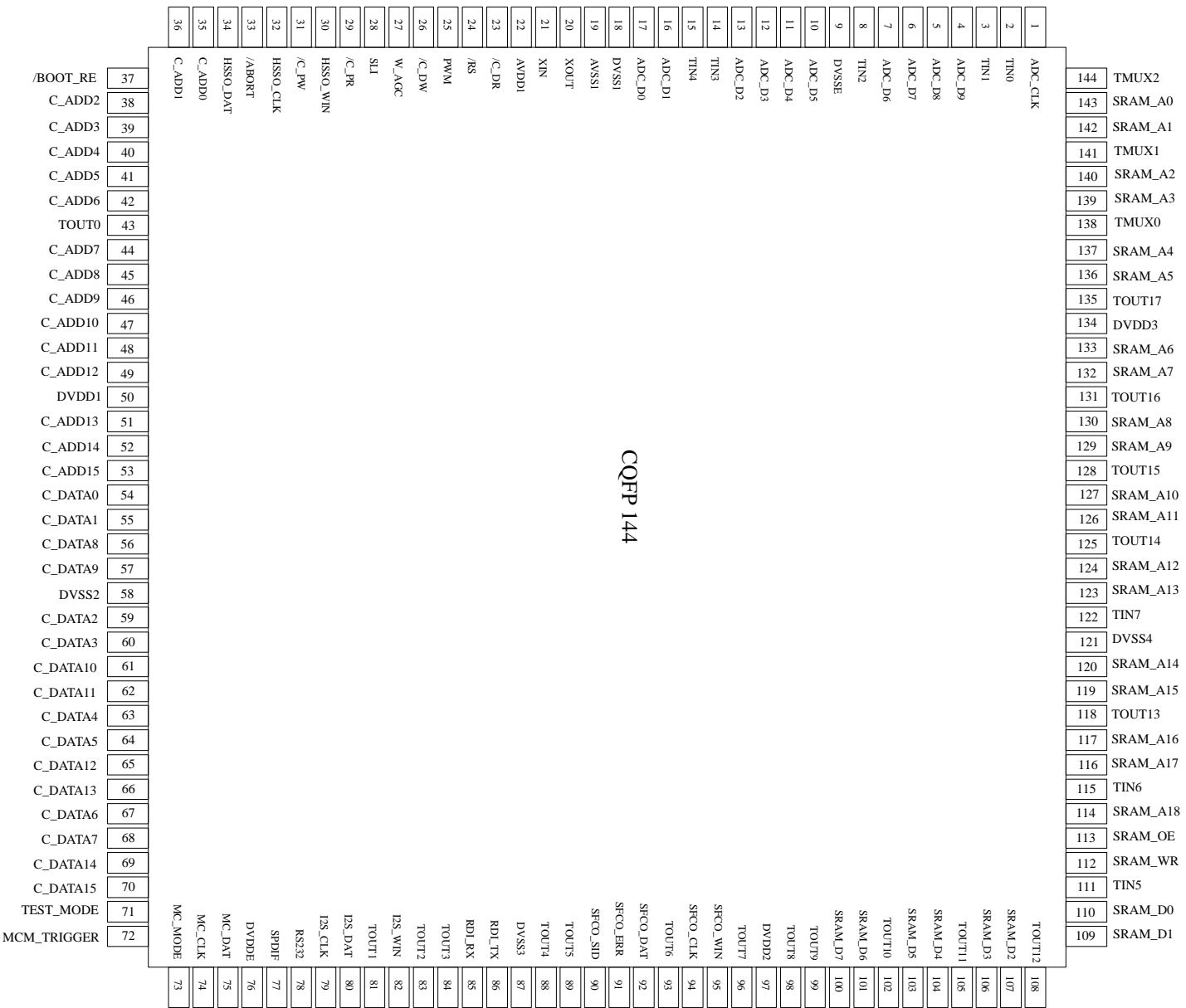


Figure 4. Software development version QFP144

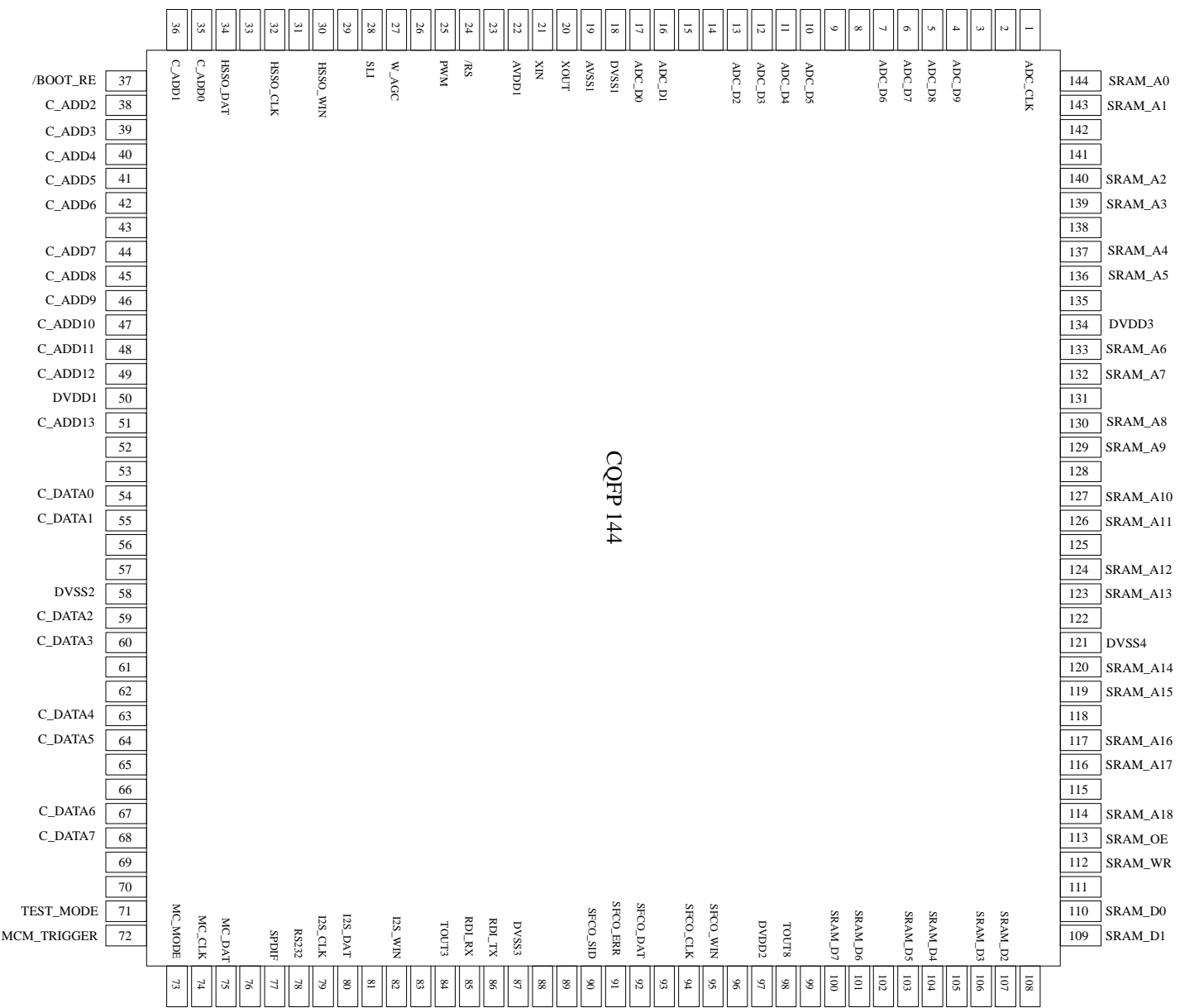


Figure 5. Version QFP144 used as production version

## 6 Interface Description

### 6.1 Overview

The interface description explains the purpose, the utilization and the meaning of every interface and every

signal. It is divided into twelve sections, which are related to the different interfaces. An overview of all interfaces is shown in the functional block diagram below. Several standard output interfaces like I<sup>2</sup>S or SPDIF are used to offer a flexible usage of the U2739M-B.

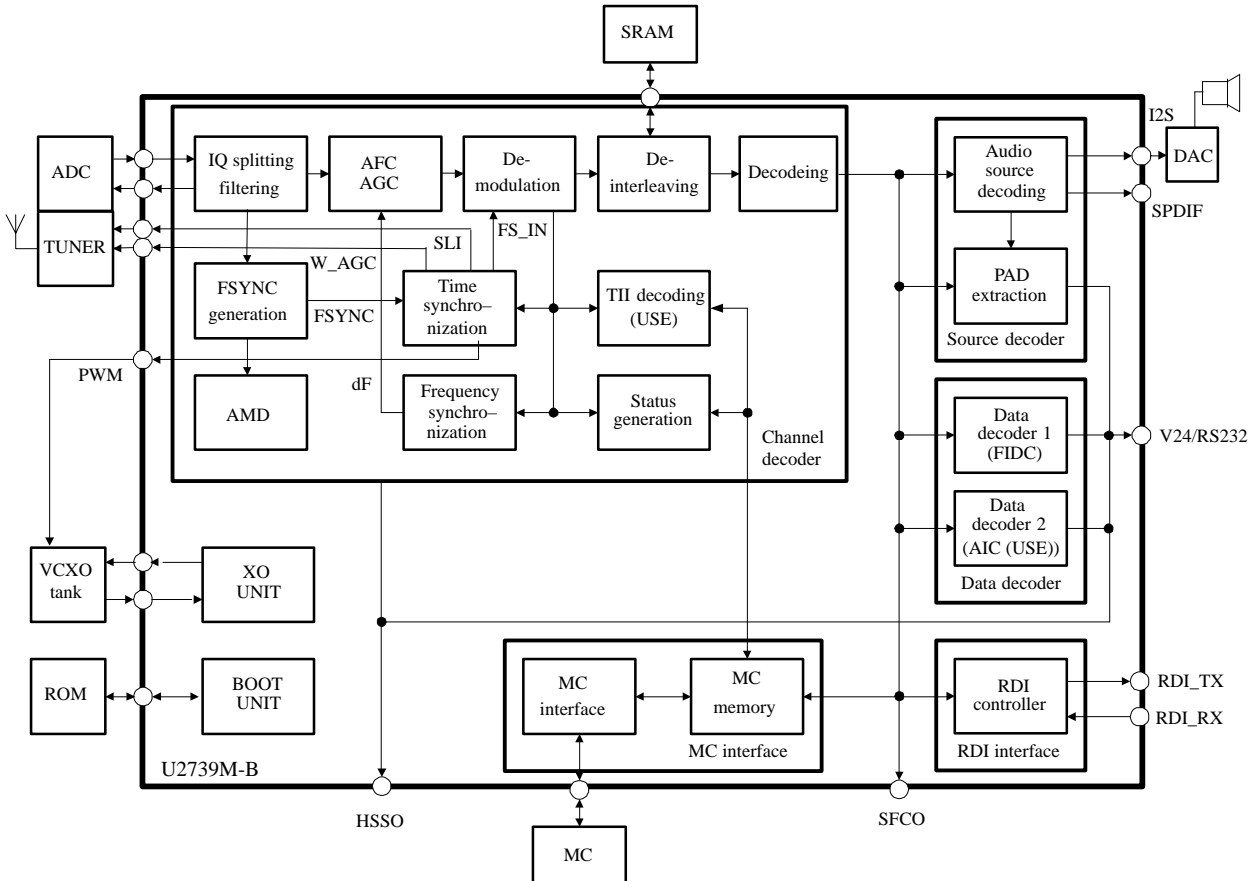


Figure 6. Functional block diagram

### 6.2 ADC Interface

#### 6.2.1 ADC Interface Signal Description

QFP144	QFP100	Pin Name	Signal Description	Pad Type	Dir.	5 V Tol.
1	1	ADC_CLK	ADC sampling clock output 8.192 MHz	PDO04T	out	
4	2	ADC_DATA9	ADC data input, bit 9 (MSB)	PDIZ	in	x
5	3	ADC_DATA8	ADC data input, bit 8	PDIZ	in	x
6	4	ADC_DATA7	ADC data input, bit 7	PDIZ	in	x
7	5	ADC_DATA6	ADC data input, bit 6	PDIZ	in	x
10	6	ADC_DATA5	ADC data input, bit 5	PDIZ	in	x
11	7	ADC_DATA4	ADC data input, bit 4	PDIZ	in	x
12	8	ADC_DATA3	ADC data input, bit 3	PDIZ	in	x
13	9	ADC_DATA2	ADC data input, bit 2	PDIZ	in	x
16	10	ADC_DATA1	ADC data input, bit 1	PDIZ	in	x
17	11	ADC_DATA0	ADC data input, bit 0 (LSB)	PDIZ	in	x

## 6.2.2 ADC Interface Description

The ADC interface as shown in figure 6 consists of the ADC data input signal ADC\_DATA(9:0) and the ADC sampling clock output signal ADC\_CLK. The U2739M-B can be connected to every standard AD with either binary or 2's complement output format. The sampling frequency is 8.192 MHz and a bandwidth of 2 MHz is necessary. The possible IF's, which are supported in conjunction with the IF input signal mode (parameter IFM) are given by the formula.

$$f_{if} = 2.048 \text{ MHz} + n \times 4.096 \text{ MHz, with } n = 0, 1, 2, 3 \dots$$

Thus possible IFs are 2.048 MHz, 6.144 MHz, ... 38.912 MHz. The parameter IFM is defined by the MC command 'set global configuration' [Atmel Wireless & Microcontrollers U2739M documentation set – "U2739M\_MC\_Command\_set\_vxxx.pdf"]. The analog input bandwidth of the A/D converter must be chosen accordingly. The ADC\_DATA input is 10 bit wide. The

typical output delay ( $t_{d3}$  in figure 7) of the AD converter related to the falling edge of the sampling clock CLK8192 should be 20 ns. The generated 8.192 MHz output clock take over the ADC\_DATA with his rising edge of ADC\_CLK. The format 'binary offset' or '2's complement' of the A/D converter can be selected by the parameter ADCF. This parameter is also defined by the 'set global configuration' MC command [Atmel Wireless & Microcontrollers U2739M documentation set – "U2739M\_MC\_Command\_set\_vxxx.pdf"].

Furthermore, the sampling clock generation is performed by the U2739M-B. The input data appearing at the ADC\_DATA port are assumed to be generated by an A/D converter. The effective resolution of this converter should be greater than 9 bit in order to use the full dynamic range implemented in the U2739M-B. The sampling clock required for the external A/D converter is derived inside U2739M-B. It has to be 8.192 MHz.

## 6.2.3 ADC Interface Timing Diagram

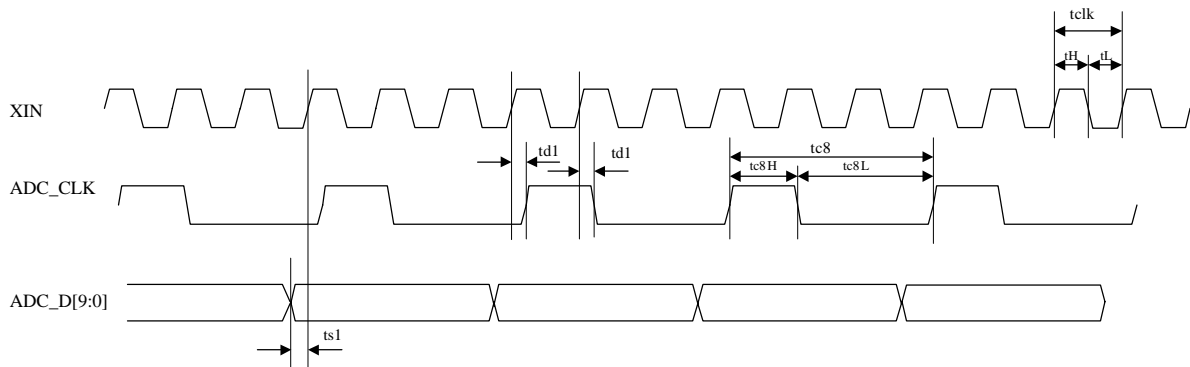


Figure 7. ADC interface timing diagram

## 6.2.4 ADC Interface Timing Parameters

Parameter	Symbol	Min.	Typ.	Max.	Unit
XIN clock period	clk		40.7		ns
XIN clock high	tH	15.0	20.35	25.0	ns
XIN clock low	tL	15.0	20.35	25.0	ns
ADC_CLK clock period	tc8		3 × 40.7		ns
ADC_CLK clock high	tc8H		1 × 40.7		ns
ADC_CLK clock low	tc8L		2 × 40.7		ns
Setup time ADC_D(9:0)	ts1	5.0			ns
Output delay of ADC_CLK	td1	12.0	20.0	28.0	ns

## 6.3 Tuner Interface

### 6.3.1 Tuner Interface Signal Description

QFP144	QFP100	Pin Name	Signal Description	Pad Type	Dir.	5 V Tol.
27	19	W_AGC	Window AGC 0 during COFDM symbols 1 during the NULL symbol	PRO04T	out	
28	20	SLI	Synchronization lock indicator 0 receiver synchronization not locked 1 receiver synchronization locked	PRO04T	out	

### 6.3.2 Tuner Interface Description

In order to implement a flexible AGC concept of a DAB receiver the signals W\_AGC and SLI can be used to control the tuner IC U2731B. The influence of W\_AGC and SLI to the RF AGC voltage generation block is described in the U2731B preliminary datasheet.

The WAGC signal must be controlled by the MC by using

the set WAGC configuration MC command. The WAGC signal does not follow the moving FFT window. The rising and falling edge can be adjusted by the MC. The MC can use the differential dT, which correspond to the FFT window shift, from the read synchronization status command to adjust the WAGC rising and falling edge.

## 6.4 MC Interface

### 6.4.1 MC Interface Signal Description

QFP144	QFP100	Pin Name	Signal Description	Pad Type	Dir.	5 V Tol.
72	50	MCM_TRIGGER	MCM trigger signal	PRO04T	out	
73	51	MC_MODE	Microcontroller mode signal 0 I2C bus protocol 1 L3 bus protocol	PDIZ	in	x
74	52	MC_CLK	Microcontroller clock signal	PDIZ	in	x
75	53	MC_DAT	Microcontroller data signal	PRB04TZ	inout	x

### 6.4.2 MC Interface Description

The MC interface is used for data transmission between the U2739M-B (slave) and an external microcontroller (master). It can be configured for L3- or I2C protocol depending on the status of the MC\_MODE line during reset (/RS = LOW):

MC\_MODE = HIGH          L3 bus selected

MC\_MODE = LOW          I2C bus selected

The MCM\_TRIGGER line indicates the status of the internal interface controller.

The external MCU is able to communicate with the U2739M-B during LOW phases of MCM\_TRIGGER only !

Further the MCM trigger signal indicates the synchronization status. If the MCM trigger has period of 8 ms, then the U2739M-B is not locked. In the synchronized ('locked') state the MCM trigger period correspond to the CIF frame, which is provided every 24 ms. The complete FIC is processed at the beginning of the transmission frame.



**6.4.3 L3 Bus Interface Timing Diagram**

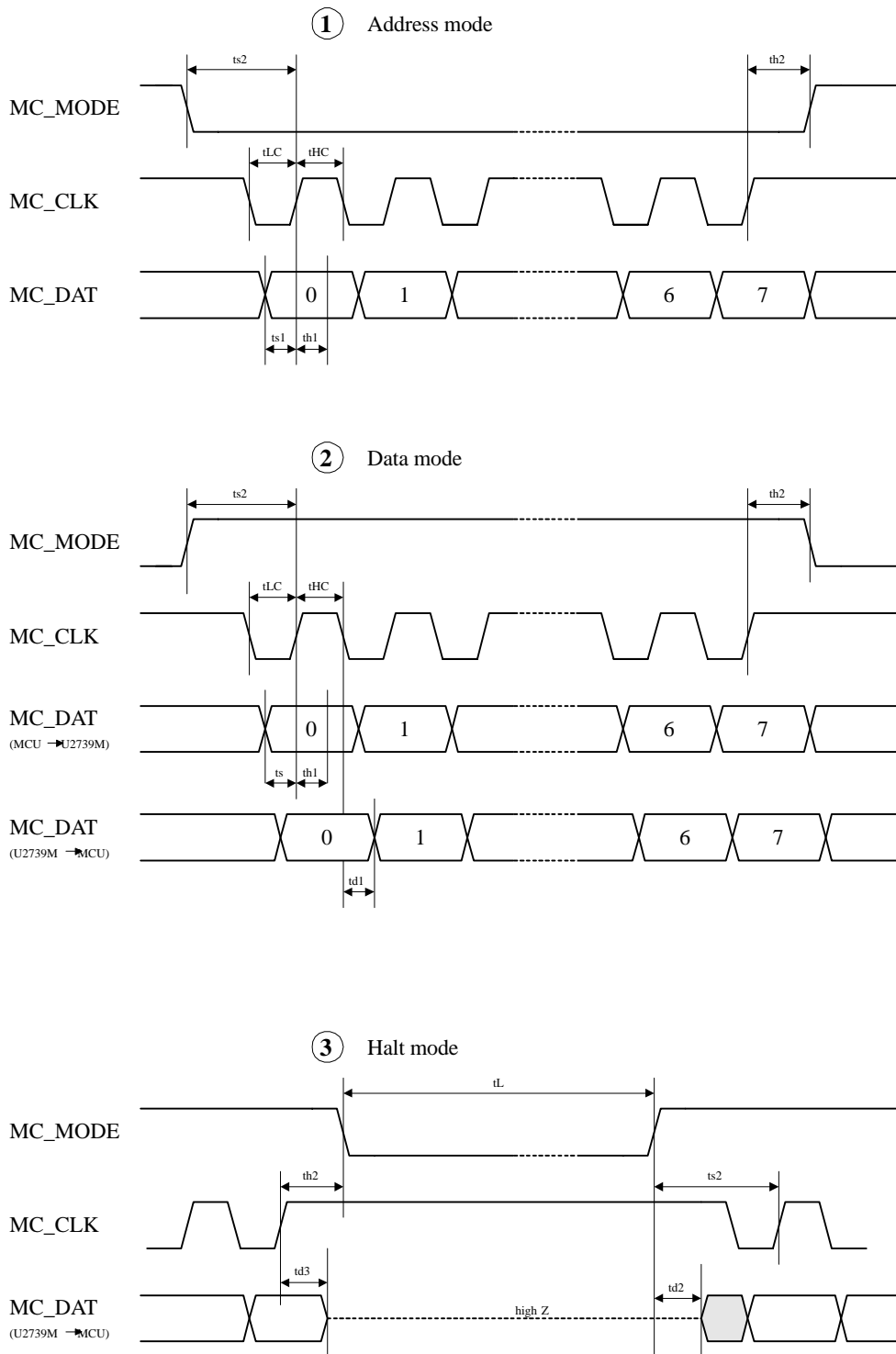


Figure 8. MC L3 bus interface timing diagram

## 6.4.4 L3 Bus Timing Parameter

Parameter	Symbol	Min.	Typ.	Max.	Unit
MC_CLK low phase	tLC	61			ns
MC_CLK high phase	tHC	61			ns
MC_DAT input setup time	ts1	61			ns
MC_DAT input hold time	th1	61			ns
MC_MODE hold time	th2	61			ns
MC_MODE setup time	ts2	61			ns
MC_CLK(h/l) / MC_DAT delay	td1	20		100	ns
MC_MODE(l/h) / MC_DAT (output driven)	td2	110		130	ns
MC_CLK(l/h) / MC_DAT(high Z)	td3	120		160	ns

## 6.4.5 I2C Bus Interface Timing Diagram

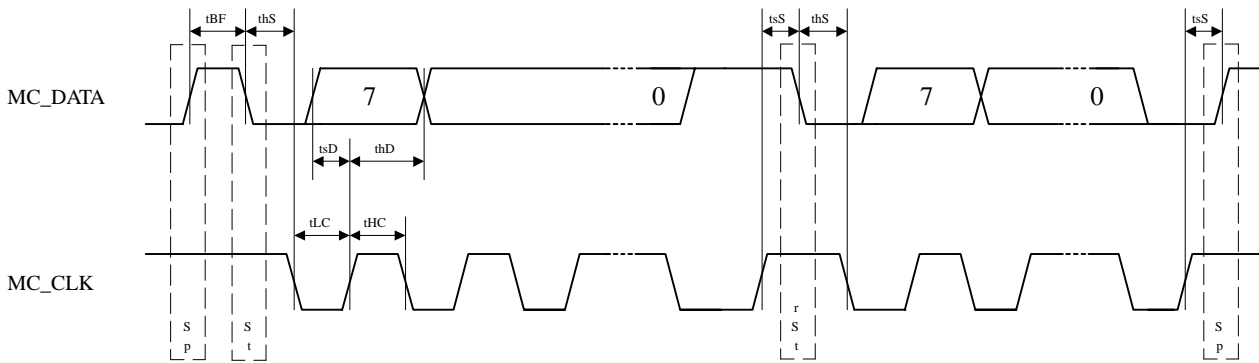


Figure 9. MC I2C bus timing diagram

## 6.4.6 I2C Bus Timing Parameter

Parameter	Symbol	Min.	Typ.	Max.	Unit
Bus free time between STOP and START condition	tBF	400			ns
Hold time (repeated) START condition	thS	200			ns
Setup time data	tsD	120			ns
Hold time data	thD	320			ns
Low period clock	tLC	300			ns
High period clock	tHC	200			ns
Setup time: repeated START condition, STOP condition	tsS	240			ns

## 6.5 C-Bus / BOOT Bus Interface

### 6.5.1 C-Bus Signal Description

QFP144	QFP100	Pin Name	Signal Description	Pad Type	Dir.	5 V Tol.
23		/C_DR	C-bus data read enable	PRO04T	out	
26		/C_DW	C-bus data write enable	PRO04T	out	
29		/C_PR	C-bus program read enable	PRO04T	out	
31		/C_PW	C-bus program write enable	PRO04T	out	
35	24	C_ADD0	C-bus address bit 0 (LSB)	PRO04T	out	
36	25	C_ADD1	C-bus address bit 1	PRO04T	out	
37	26	/BOOT_RE	BOOT read enable	PRO04T	out	
38	27	C_ADD2	C-bus address bit 2	PRO04T	out	
39	28	C_ADD3	C-bus address bit 3	PRO04T	out	
40	29	C_ADD4	C-bus address bit 4	PRO04T	out	
41	30	C_ADD5	C-bus address bit 5	PRO04T	out	
42	31	C_ADD6	C-bus address bit 6	PRO04T	out	
44	32	C_ADD7	C-bus address bit 7	PRO04T	out	
45	33	C_ADD8	C-bus address bit 8	PRO04T	out	
46	34	C_ADD9	C-bus address bit 9	PRO04T	out	
47	35	C_ADD10	C-bus address bit 10	PRO04T	out	
48	36	C_ADD11	C-bus address bit 11	PRO04T	out	
49	37	C_ADD12	C-bus address bit 12	PRO04T	out	
51	39	C_ADD13	C-bus address bit 13	PRO04T	out	
52		C_ADD14	C-bus address bit 14	PRO04T	out	
53		C_ADD15	C-bus address bit 15	PRO04T	out	
54	40	C_DATA0/DBG	C-bus data bit 0 (pull down)	PRD04TZ	inout	x
55	41	C_DATA1/BOOT	C-bus data bit 1 (pull down)	PRD04TZ	inout	x
56		C_DATA8	C-bus data bit 8 (pull down)	PRD04TZ	inout	x
57		C_DATA9	C-bus data bit 9 (pull down)	PRD04TZ	inout	x
59	43	C_DATA2/URST	C-bus data bit 2 (pull down)	PRD04TZ	inout	x
60	44	C_DATA3/XUSE	C-bus data bit 3 (pull down)	PRD04TZ	inout	x
61		C_DATA10	C-bus data bit 10 (pull down)	PRD04TZ	inout	x
62		C_DATA11	C-bus data bit 11 (pull down)	PRD04TZ	inout	x
63	45	C_DATA4/PSPC	C-bus data bit 4 (pull down)	PRD04TZ	inout	x
64	46	C_DATA5/RDI_VBIT	C-bus data bit 5 (pull down)	PRD04TZ	inout	x
65		C_DATA12	C-bus data bit 12 (pull down)	PRD04TZ	inout	x
66		C_DATA13	C-bus data bit 13 (pull down)	PRD04TZ	inout	x
67	47	C_DATA6/XO12	C-bus data bit 6 (pull down)	PRD04TZ	inout	x
68	48	C_DATA7/BYPP	C-bus data bit 7 (pull down)	PRD04TZ	inout	x
69		C_DATA14	C-bus data bit 14 (pull down)	PRD04TZ	inout	x
70		C_DATA15	C-bus data bit 15 (pull down)	PRD04TZ	inout	x

## 6.5.2 C-Bus / BOOT Bus Interface Description

The C-Bus is a multiplexed program as well as data bus system to communicate with external components. The complete bus system is available only in the QFP144 package version and needed for debugging the internal OAK DSP core.

The BOOT bus covers a subset of the C-Bus signals. The user is able to download his own so-called 'User Software Extensions' using this bus system to replace or extend the

Atmel Wireless & Microcontrollers firmware. The BOOT bus is a standard ROM interface (address/ data buses, read enable line) and the read access is always with 16 wait states (referring the OAK internal 49.152 MHz clock) to support slow devices.

The BOOT bus is available in both package versions. The timing diagram refers to the BOOT bus signals only.

## 6.5.3 BOOT Bus Timing Diagram

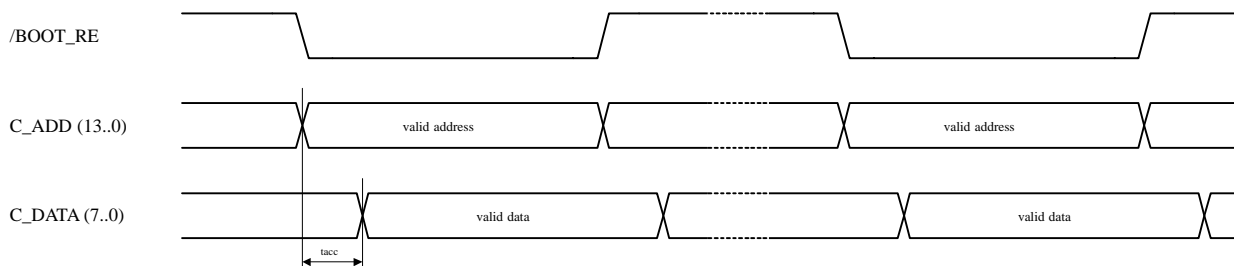


Figure 10. C-bus interface timing diagram

## 6.5.4 BOOT Bus Timing Parameter

Parameter	Symbol	Min.	Typ.	Max.	Unit
BOOT ROM access time	tacc			120	ns

## 6.6 SRAM Interface

### 6.6.1 SRAM Interface Signal Description

QFP144	QFP100	Pin Name	Signal Description	Pad Type	Dir.	5 V Tol.
100	70	SRAM_D7	SRAM data bit 7	PRB04TZ	inout	x
101	71	SRAM_D6	SRAM data bit 6	PRB04TZ	inout	x
103	72	SRAM_D5	SRAM data bit 5	PRB04TZ	inout	x
104	73	SRAM_D4	SRAM data bit 4	PRB04TZ	inout	x
106	74	SRAM_D3	SRAM data bit 3	PRB04TZ	inout	x
107	75	SRAM_D2	SRAM data bit 2	PRB04TZ	inout	x
109	76	SRAM_D1	SRAM data bit 1	PRB04TZ	inout	x
110	77	SRAM_D0	SRAM data bit 0	PRB04TZ	inout	x
112	78	SRAM_WR	SRAM write signal	PRO04T	out	
113	79	SRAM_OE	SRAM output enable	PRO04T	out	
114	80	SRAM_A18	SRAM address bit 18	PRO04T	out	
116	81	SRAM_A17	SRAM address bit 17	PRO04T	out	
117	82	SRAM_A16	SRAM address bit 16	PRO04T	out	
119	83	SRAM_A15	SRAM address bit 15	PRO04T	out	
120	84	SRAM_A14	SRAM address bit 14	PRO04T	out	
123	86	SRAM_A13	SRAM address bit 13	PRO04T	out	
124	87	SRAM_A12	SRAM address bit 12	PRO04T	out	
126	88	SRAM_A11	SRAM address bit 11	PRO04T	out	
127	89	SRAM_A10	SRAM address bit 10	PRO04T	out	
129	90	SRAM_A9	SRAM address bit 9	PRO04T	out	
130	91	SRAM_A8	SRAM address bit 8	PRO04T	out	
132	92	SRAM_A7	SRAM address bit 7	PRO04T	out	
133	93	SRAM_A6	SRAM address bit 6	PRO04T	out	
136	95	SRAM_A5	SRAM address bit 5	PRO04T	out	
137	96	SRAM_A4	SRAM address bit 4	PRO04T	out	
139	97	SRAM_A3	SRAM address bit 3	PRO04T	out	
140	98	SRAM_A2	SRAM address bit 2	PRO04T	out	
142	99	SRAM_A1	SRAM address bit 1	PRO04T	out	
143	100	SRAM_A0	SRAM address bit 0	PRO04T	out	

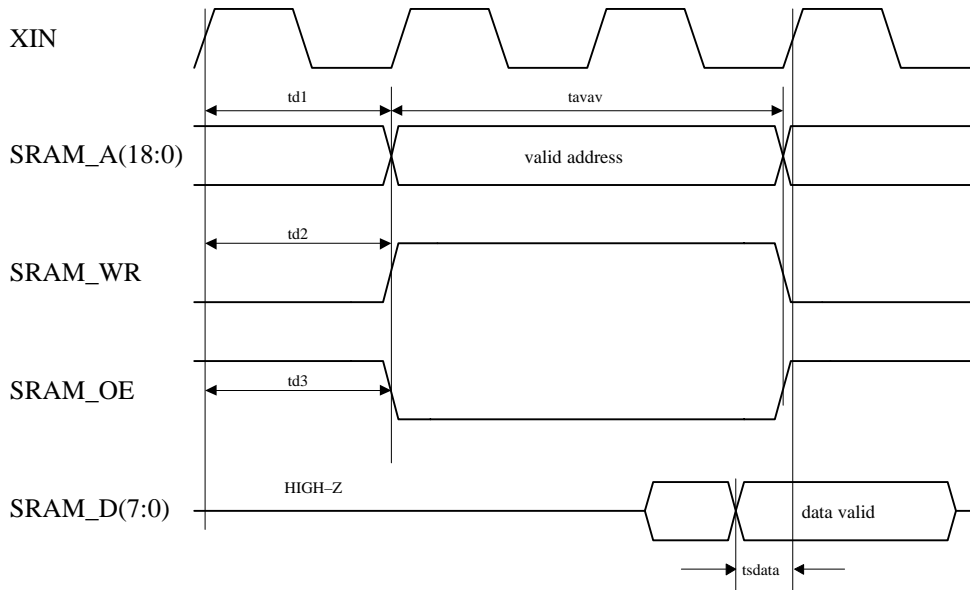
### 6.6.2 SRAM Interface Descriptions

For time de-interleaving and further task an external static random access memory of 4 MB is necessary. The organization of the SRAM is 512 k × 8 bit.

Due to the high data rates a fast SRAM with a access time of 18 ns or below is necessary.

## 6.6.3 SRAM Interface Timing Diagram

### READ CYCLE



### WRITE CYCLE

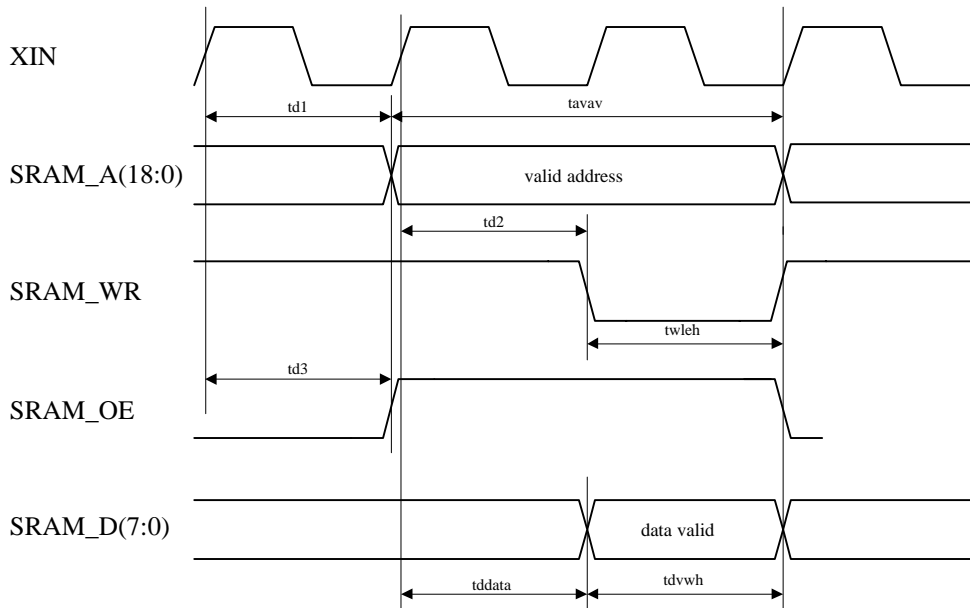


Figure 11. SRAM interface timing diagram

## 6.6.4 SRAM Interface Timing Parameter

Parameter	Symbol	Min.	Typ.	Max.	Unit
Read/ write cycle time	tavav		40.7		ns
Output delay SRAM_A(18:0)	td1	15.0	25.0	35.0	ns
Output delay SRAM_WR	td2	12.0	20.0	28.0	ns
Output delay SRAM_OE	td3	16.0	24.0	32.0	ns
Setup time SRAM_D(7:0)	tsdata	2.0			ns
Write pulse width	twleh	33.0	40.7	48.0	ns
Output delay SRAM_D(7:0)	tddata	15.0	23.0	31.0	ns
Data valid to end of write	tdvwh	33.0	40.7	48.0	ns

## 6.7 VCXO Interface

### 6.7.1 VCXO Interface Signal Description

QFP144	QFP100	Pin Name	Signal Description	Pad Type	Dir.	5 V Tol.
19	13	AVSS1	Analog ground	PVSS3Z	gnd	x
20	14	XIN	Oscillator input	PDX02	osc	
21	15	XOUT	Oscillator output	(PDX02)	osc	
22	16	AVDD1	Analog power supply	PVDD3Z	pwr	
25	18	PWM	Pulse width modulated control output	PRO04T	out	

### 6.7.2 VCXO Interface Description

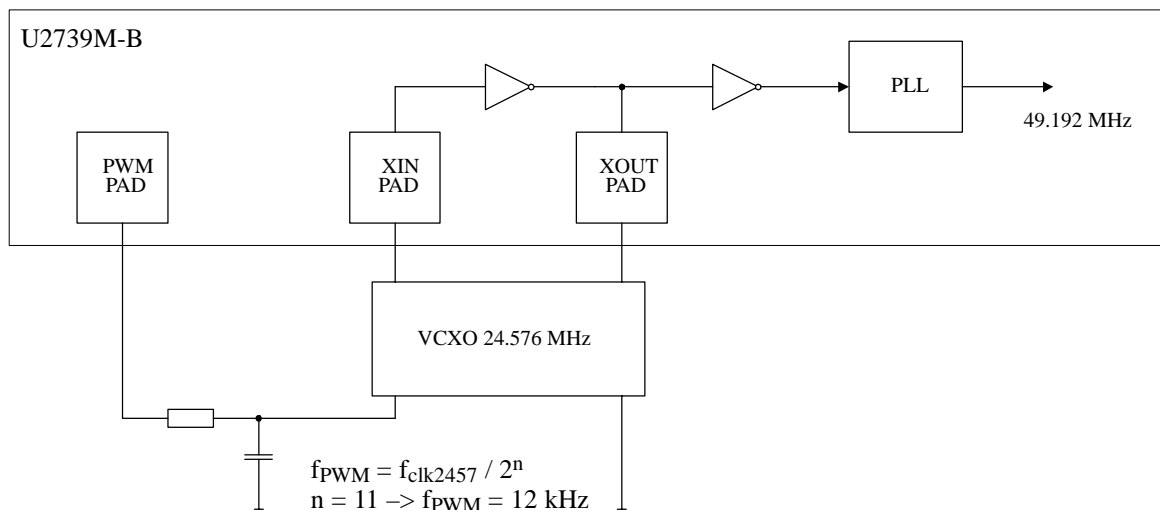


Figure 12. VCXO application circuit

The U2739M-B master clock should be derived from a voltage-controlled reference oscillator. The pulse width modulated output signal PWM of the U2739M-B can be used to control the VCXO frequency of 24.576 MHz.

## 6.8 Audio Interfaces

### 6.8.1 I2S Interface Signal Description

QFP144	QFP100	Pin Name	Signal Description	Pad Type	Dir.	5 V Tol.
79	56	I2S_CLK	I2S clock line	PRO04T	out	
80	57	I2S_DAT	I2S data line	PRO04T	out	
82	58	I2S_WIN	I2S window line	PRO04T	out	

### 6.8.2 I2S Interface Description

The I2S interface is a standard continuous audio interface consisting of bit clock ( $\_CLK$ ), word select ( $\_WIN$ ) and data ( $\_DAT$ ) lines. The word select line indicates the transmitted channel: LOW for left, HIGH for right. Please be aware of the 1 cycle delay of the data word MSB corresponding to the I2S\_WIN edge !

As in the DAB system the I2S\_WIN clock is fixed as 48 kHz (MPEG1) or 24 kHz (MPEG2) the bit clock depends on the data word length. The standard word length is 16 bit, hence the bit clock is fixed at 1.536 MHz resp. 768 kHz.

### 6.8.3 I2S Interface Timing Diagram

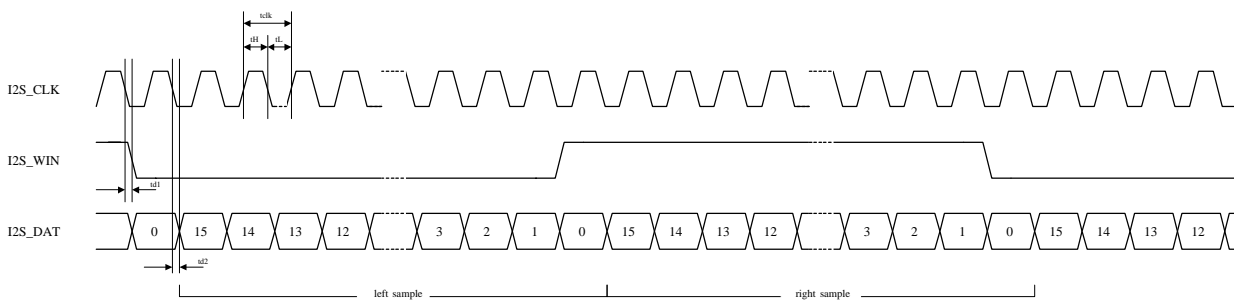


Figure 13. I2S interface timing diagram

### 6.8.4 I2S Interface Timing Parameter

Parameter	Symbol	Min.	Typ.	Max.	Unit
I2S clock period	tclk		16.28		us
I2S clock high	tH		14.28		us
I2S clock low	tL		14.28		us
I2S_WIN output delay	td1	-5.0	0.0	5.0	ns
I2S_DAT output delay	td2	-5.0	0.0	5.0	ns

### 6.8.5 SP-DIF Interface Signal Description

QFP144	QFP100	Pin Name	Signal Description	Pad Type	Dir.	5 V Tol.
77	54	SPDIF	SPDIF output	PRO04T	out	



## 6.8.6 SP-DIF Interface Description

The SP-DIF format is frame based, which means one frame represents one audio sampling period. Every frame comprises 2 subframes a 32 bit referring to the left and right sample. The data is transmitted in bi-phase coded format. The frame synchronization pattern are based on biphas violations and indicate whether a left or right subframe follows.

The last 4 bi-phase coded bits of each subframe represent the V (validity flag), U (user channel data), C (channel status data) and P (parity) information as described in the SP-DIF specification.

Complete frames (left and right sample according to  $64 \times 2$  bit due to bi-phase coding) are transmitted at the audio sampling rate (48 resp. 24 kHz).

## 6.8.7 SP-DIF Interface Timing Parameter

The SP-DIF interface was designed according the digital audio interface IEC958 specification [CEI/ISO 958 Digital Audio Interface Standard].

## 6.8.8 SP-DIF Interface Timing Diagram

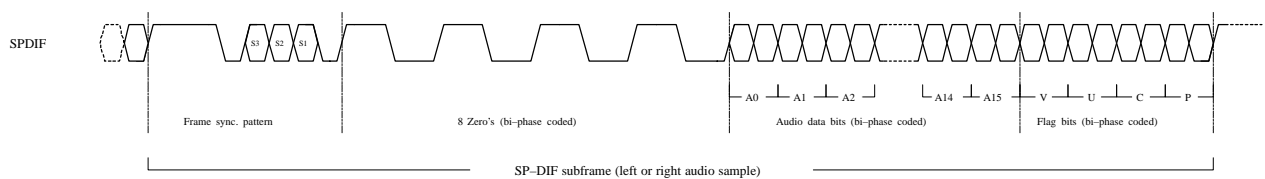


Figure 14. SP-DIF interface timing diagram

## 6.9 RDI Interface

### 6.9.1 RDI Interface Signal Description

QFP144	QFP100	Pin Name	Signal Description	Pad Type	Dir.	5 V Tol.
64	46	C_DATA5/RDI_VBIT	C-bus data bit 5 (pull down)	PRD04TZ	inout	x
85	60	RDI_RX	RDI receive data	PDIZ	in	x
86	61	RDI_TX	RDI transmit data	PRO04T	out	

### 6.9.2 RDI Interface Description

The RDI interface is designed according to the 'Digital Audio Broadcasting System: Specification of the Receiver Data Interface (RDI)' [Digital Audio Broadcasting System: Specification of the Receiver Data Interface (RDI), Issue 1.4]. The RDI frames are embedded into the IEC 958 interface. The RDI output

data is provided in the extended format of the high capacity mode. Further the RDI Control Channel (RCC) can be implemented according to the preliminary specification [Digital Audio Broadcasting System: Preliminary Specification of the RDI Control Channel], [Proposal of DAB Command Set for Receiver (DCSR)].

### 6.9.3 RDI Interface Timing Diagram

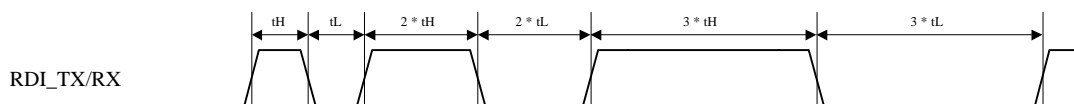


Figure 15. RDI interface timing diagram

## 6.9.4 RDI Interface Timing Parameter

The RDI interface is realized according to the digital audio interface IEC958 specification [CEI/ISO 958 Digital Audio Interface Standard].

Parameter	Symbol	Min.	Typ.	Max.	Unit
Data high period	TH		160		ns
Data low period	TL		160		ns

## 6.10 SFCO Interface

### 6.10.1 SFCO Interface Signal Description

QFP144	QFP100	Pin Name	Signal Description	Pad Type	Dir.	5 V Tol.
90	63	SFCO_SID	SFCO sub-channel ID	PRO04T	out	
91	64	SFCO_ERR	SFCO error flag	PRO04T	out	
92	65	SFCO_DAT	SFCO data	PRO04T	out	
94	66	SFCO_CLK	SFCO clock	PRO04T	out	
95	67	SFCO_WIN	SFCO window	PRO04T	out	

### 6.10.2 SFCO Interface Description

The simple full capacity output interface (SFCO) is a 3.072 MHz burst mode interface. It consists of a window, data, errorflag and clock line. Furthermore, a serial sub-channel identifier information is provided. The interface carries fast information channel (FIC) and main service information (MSC) at the output of the COFDM channel

decoder. The window line can be used to distinguish between FIC and MSC data. Via the MC interface the provided sub-channel can be selected. Only these selected sub-channels are processed by the channel decoder.

**6.10.3 SFCO Interface Timing Diagram**

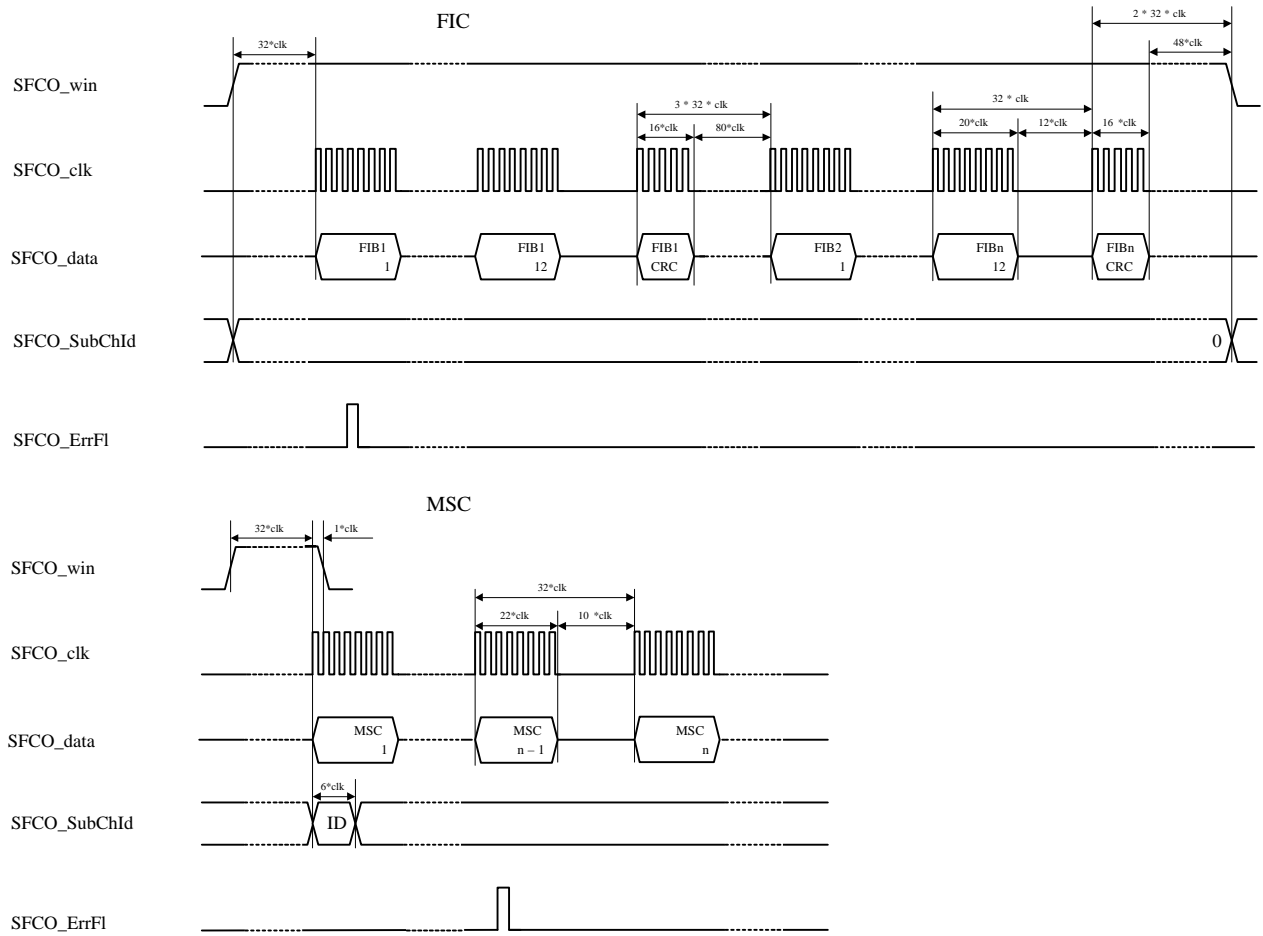


Figure 16. SFCO interface timing diagram

## 6.10.4 Detailed SFCO Interface Timing Diagram

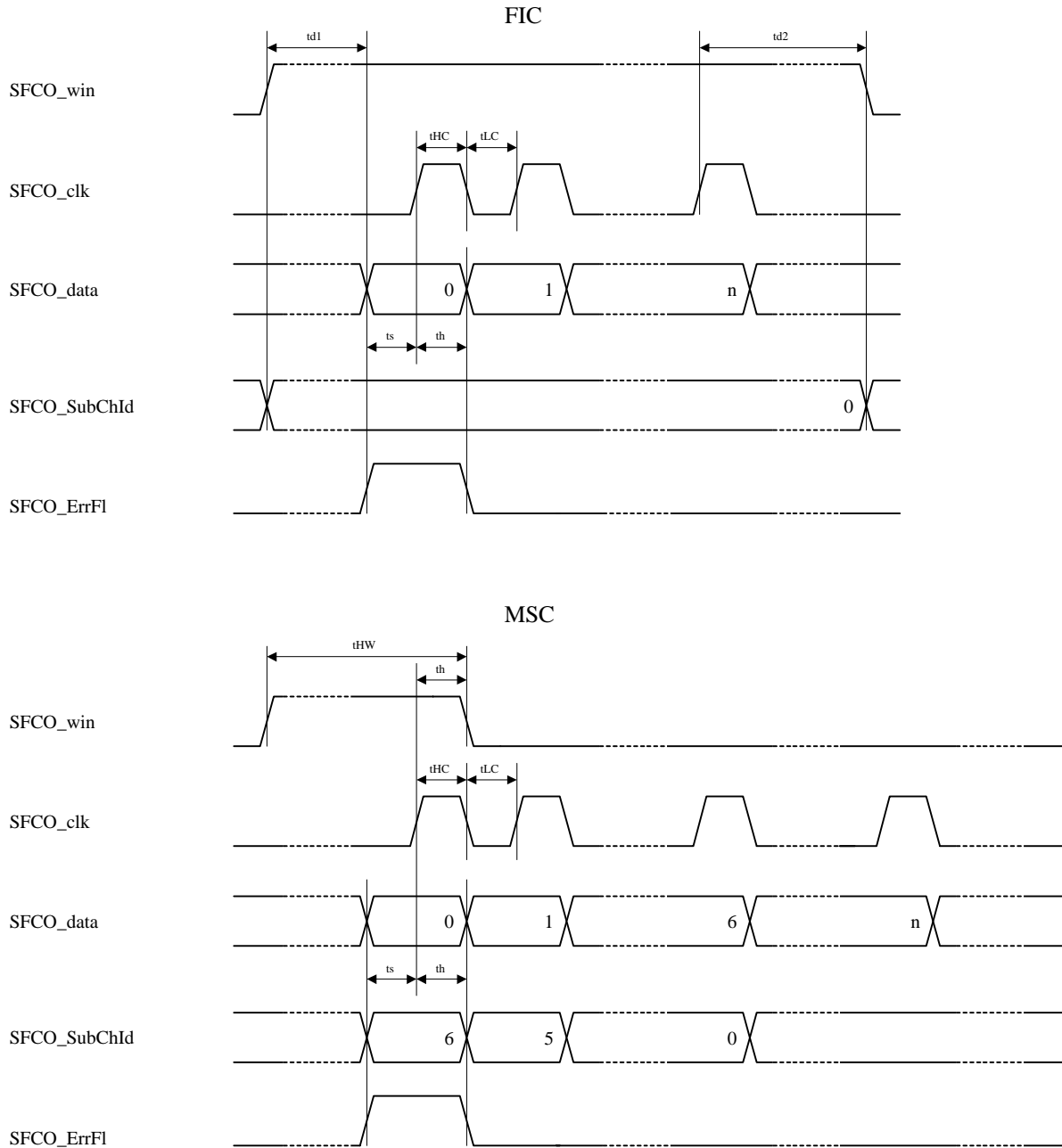


Figure 17. Detailed SFCO interface timing diagram

## 6.10.5 SFCO Interface Timing Parameter

Parameter	Symbol	Min.	Typ.	Max.	Unit
Clock high period	tHC		160		ns
Clock low period	tLC		160		ns
Data setup time	ts		160		ns
Data hold time	th		160		ns
Window MSC high period	tHW		10.56		us
Delay data valid	td1		10.24		us
Delay window FIC low	td2		10.24		us

## 6.11 RS232 Interface

### 6.11.1 RS232 Interface Signal Description

QFP144	QFP100	Pin Name	Signal Description	Pad Type	Dir.	5 V Tol.
78	55	RS232	RS232 output	PRO04T	out	

### 6.11.2 RS232 Interface Description

The RS232 interface is an standard serial output used for transferring data directly to a PC COM port. One of 3 applications can be given out:

- Data decoder 1

- Data decoder 2
- Programme Associated Data (PAD)

Each RS232 burst consists of a header word followed by n data words (as indicated in the header):

bit	RS232-ID (Burst Identifier)				Length (Number of Transmitted Data Words n Without Header Word)											
	15	14	13	12	11	10	9	8	7	6	5	4	3	2	1	0
DD1	0	0	0	1	Number of DD1 words											
DD2	0	0	1	0	Number of DD2 words											
PAD	0	0	1	1	Number of PAD words											

The RS232 output can be configured using the 'set HSSO/RS232 configuration' MC command [Atmel Wireless & Microcontrollers U2739M documentation set – "U2739M\_MC\_Command\_set\_vxxx.pdf"]. Using this command the user can select the application to be given

out and the baud rate.

Please notice the byte order: first the high byte is transmitted followed by the low byte (LSB first both).

### 6.11.3 RS232 Interface Timing Diagram



Figure 18. RS232 interface timing diagram

### 6.11.4 RS232 Interface Timing Parameter

The RS232 timing is related to the defined baud rate of the interface.

## 6.12 HSSO Interface

### 6.12.1 HSSO Interface Signal Description

QFP144	QFP100	Pin Name	Signal Description	Pad Type	Dir.	5 V Tol.
30	21	HSSO_WIN	HSSO window signal	PRO04T	out	
32	22	HSSO_CLK	HSSO clock signal	PRO04T	out	
34	23	HSSO_DAT	HSSO data signal	PRO04T	out	

### 6.12.2 HSSO Interface Description

The High Speed Serial Output (HSSO) is a standard 3-line output interface implemented to give out data bursts in a multiplexed way. Up to 4 applications can be given out simultaneously:

- Channel Impulse Response (CIR)
- Data decoder 1

- Data decoder 2
- Programme Associated Data (PAD)

The HSSO can be configured using the 'set HSSO / RS232 configuration' MC command (see section 8). Each HSSO burst consists of a header word followed by n data words (as indicated in the header).

bit	HSSO-ID (Burst Identifier)				Length (Number of Transmitted Data Words n Without Header Word)											
	15	14	13	12	11	10	9	8	7	6	5	4	3	2	1	0
CIR	0	0	0	0	Number of CIR words											
DD1	0	0	0	1	Number of DD1 words											
DD2	0	0	1	0	Number of DD2 words											
PAD	0	0	1	1	Number of PAD words											

### 6.12.3 HSSO Interface Timing Diagram

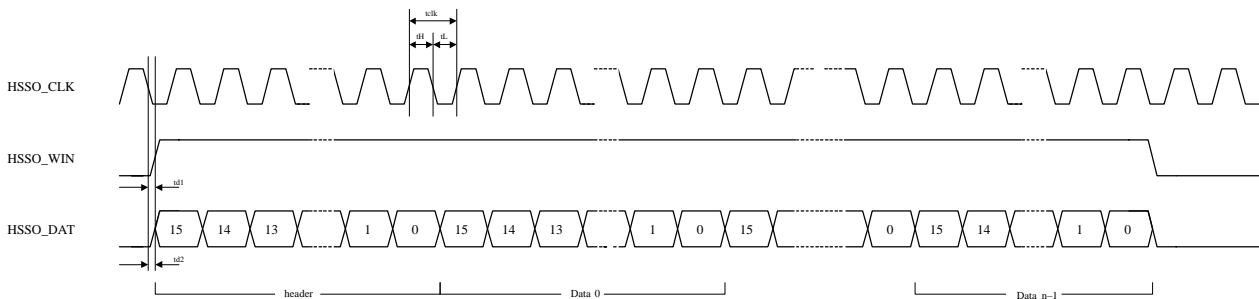


Figure 19. HSSO interface timing diagram

### 6.12.4 HSSO Interface Timing Parameters

Parameter	Symbol	Min.	Typ.	Max.	Unit
HSSO clock period	tclk		4.07		us
HSSO clock high	tH		2.035		us
HSSO clock low	tL		2.035		us
HSSO_WIN output delay	td1	-5.0	0.0	5.0	ns
HSSO_DAT output delay	td2	-5.0	0.0	5.0	ns

## 7 Electrical Characteristics

### 7.1 Absolute Maximum Ratings

Parameter	Symbol	Min.	Max.	Unit
Supply voltage	VDD	-0.5	VDD + 0.5	V
Input / output voltage	Vin/Vout	-0.5	VDD + 0.5	V
Storage temperature	Tstg	-65	125	°C

### 7.2 Operating Range

Parameter	Symbol	Min.	Typ.	Max.	Unit
Supply voltage	VDD	3.0	3.3	3.6	V
Input / output voltage	Vin/Vout	0		VDD	V
Ambient temperature	Tamb	-40		+85	°C
Power dissipation	Pstat		20		mW
Power dissipation	Pdyn		860		mW

### 7.3 DC Characteristics

Parameter	Test Conditions	Pad Type	Symbol	Min.	Typ.	Max.	Unit
Input HIGH voltage		VIH		2.0			V
Input LOW voltage		VIL				0.8	V
Threshold		VT			1.4		V
Output HIGH voltage	IOH= -2 mA	VOH	Pxx02x	2.4		VDD	V
	IOH= -4 mA		Pxx04x	2.4		VDD	V
Output LOW voltage	IOL= 2 mA	VOL	Pxx02x		0.2	0.4	V
	IOL= 4 mA		Pxx04x		0.2	0.4	V

## 8 MC Command Set

### 8.1 'Set System' Commands

#### 8.1.1 Set DAB System Mode

Command Settings Overview:

- Set system mode
- Set FSLI control loops

**Command sequence:**

Address Mode								
7	6	5	4	3	2	1	0	
0	1	1	0	1	1	1	0	
DAB			U2739M-B			Write Command		\$6E

Data Mode								
7	6	5	4	3	2	1	0	
0	0	0	0	0	0	0	0	\$00

Address Mode								
7	6	5	4	3	2	1	0	
0	1	1	0	1	1	0	0	
DAB			U2739M-B			Write Command		\$6C

Data Mode								
7	6	5	4	3	2	1	0	
SMODE		NSM	0	0	0	0	0	\$XX

Command Parameters:

Parameter	Meaning	Description
SMODE(1..0)	New DAB system mode	00: DAB system mode 4 01: DAB system mode 1 10: DAB system mode 2 11: DAB system mode 3
NSM	New system mode valid	0: SMODE not valid 1: SMODE indicates new system mode



## 8.1.2 Set ASD

Command Settings Overview:

- Set ASD on/off
- Set ASD mute state
- Set ASD sub-channel ID
- Set ASD dynamic range control on/off
- Set ASD dynamic range control fixed value
- Set ASD ScF-CRC on/off
- Set ASD dual channel configuration
- Set ASD fader value

**Command sequence:**

Address Mode							
7	6	5	4	3	2	1	0
0	1	1	0	1	1	1	0
DAB			U2739M-B			Write Command	

\$6E

Data Mode							
7	6	5	4	3	2	1	0
0	0	0	1	0	0	0	0

\$10

Address Mode							
7	6	5	4	3	2	1	0
0	1	1	0	1	1	0	0
DAB			U2739M-B			Write Command	

\$6C

Data Mode							
7	6	5	4	3	2	1	0
ASDE	MUTE	IDV	DCCV	FADV	DRCON	DRCFIX	SCFON
FADD		SBCHID					
DCC		DRCFV					

\$XX

\$XX

\$XX

Command Parameters:

Parameter	Meaning	Description
ASDE	ASD enable	0: ASD disabled 1: ASD enabled
MUTE	ASD mute state	0: ASD output active 1: ASD output muted
IDV	ASD SBCHID valid	0: Last set ASD SBCHID remains valid 1: Following ASD SBCHID valid
DCCV	DCC setting valid	0: Last set DCC remains valid 1: Following DCC valid
FADV	Fader setting valid	0: Last set FAD remains valid 1: Following FAD valid
DRCON	DRC on/off switch	0: DRC off 1: DRC on
DRCFIX	DRC additional fixed gain value valid	0: DRC additional fixed gain + 6 dB (default) 1: DRC additional fixed gain according to DRCFV
SCFON	ScF-CRC on/off switch	0: ScF-CRC off 1: ScF-CRC on
FAD	Fader value	00: Fade In / Fade out over 0 frames each 01: Fade In / Fade out over 30 frames each 10: Fade In / Fade out over 60 frames each 11: Fade In / Fade out over 90 frames each
SBCHID(5..0)	Sub-channel identifier	n: ASD sub-channel ID
DCC(1..0)	Dual channel configuration	00/10: Left channel on both ASD output channels 01: Right channel on both ASD output channels 11: Both channels on ASD output
DRCFV(5..0)	DRC additional fixed gain value	000000: Fixed gain 0 dB 000001: Fixed gain + 0.25 dB ... (continuous steps of +0.25 dB) 111111: fixed gain + 15.75 dB

## 8.1.3 Set DD1

DD configuration for transmission in packet mode

Command Settings Overview:

- Set DD1 on/off
- Set DD1 sub-channel ID
- Set DD1 packet address

**Command sequence:**

Address Mode							
7	6	5	4	3	2	1	0
0	1	1	0	1	1	1	0
DAB			U2739M-B			Write Command	

\$6E

Data Mode							
7	6	5	4	3	2	1	0
0	0	0	1	0	0	0	1

\$11

Address Mode							
7	6	5	4	3	2	1	0
0	1	1	0	1	1	0	0
DAB			U2739M-B			Write Command	

\$6C

Data Mode							
7	6	5	4	3	2	1	0
DD1E	FIDC	PA1V	ID1V	0		PA(9/8)	
PA(7..0)							
0		SBCHID					

\$XX

\$XX

\$XX

Command Parameters:

Parameter	Meaning	Description
DD1E	DD1 enable	0: DD1 disabled 1: DD1 enabled
FIDC	FIDC decoding switch	0: DD1 decodes MSC 1: DD1 decodes FIDC <sup>1)</sup>
PA1V	PA valid	0: Last set DD1 PA remains valid 1: Following DD1 PA valid
ID1V	DD1 SBCHID valid	0: Last set DD1 SBCHID remains valid 1: Following DD1 SBCHID valid
PA(9..0)	Packet address	n: DD1 packet address
SBCHID(5..0)	Sub-channel identifier	n: DD1 sub-channel ID

1) in this case PA and SBCHID parameters are ignored (regardless of whether PA1V/ID1V have been set or not)

## 8.1.4 Set DD2

DD configuration for transmission in packet mode

Command Settings Overview:

- Set DD2 on/off
- Set DD2 AIC on/off
- Set DD2 sub-channel ID
- Set DD2 packet address

**Command sequence:**

Address Mode							
7	6	5	4	3	2	1	0
0	1	1	0	1	1	1	0
DAB			U2739M-B			Write Command	

\$6E

Data Mode							
7	6	5	4	3	2	1	0
0	0	0	1	0	0	1	0

\$12

Address Mode							
7	6	5	4	3	2	1	0
0	1	1	0	1	1	0	0
DAB			U2739M-B			Write Command	

\$6C

Data Mode							
7	6	5	4	3	2	1	0
DD2E	AIC	PA2V	ID2V	0		PA(9/8)	
PA(7..0)							
0			SBCHID				

\$0X  
\$XX  
\$XX

Command Parameters:

Parameter	Meaning	Description
DD2E	DD2 enable	0: DD2 disabled 1: DD2 enabled
AIC	AIC decoding switch	0: DD2 decodes MSC 1: DD2 decodes AIC <sup>2)</sup>
PA2V	DD2 PA valid	0: Last set DD2 PA remains valid 1: Following DD2 PA valid
ID2V	DD2 SBCHID valid	0: Last set DD2 SBCHID remains valid 1: Following DD2 SBCHID valid
PA(9..0)	Packet address	n: DD2 packet address
SBCHID(5..0)	Sub-channel identifier	n: DD2 sub-channel ID

1) in this case PA and SBCHID parameters are ignored (regardless of whether PA2V/ID2V have been set or not) and the default values for AIC decoding (PA = 1023, SBCHID = 63) are used instead

## 8.1.5 Set CIF Counter and Occurrence Change

Command Settings Overview:

- Set channel decoder CIF counter
- Set channel decoder occurrence change

**Command sequence:**

Address Mode							
7	6	5	4	3	2	1	0
0	1	1	0	1	1	1	0
DAB			U2739M-B			Write Command	

\$6E

Data Mode							
7	6	5	4	3	2	1	0
0	0	0	1	0	0	1	1

\$13

Address Mode							
7	6	5	4	3	2	1	0
0	1	1	0	1	1	0	0
DAB			U2739M-B			Write Command	

\$6C

Data Mode							
7	6	5	4	3	2	1	0
CF		AF	CIFCH(4..0)				
CIFCL(7..0)							
OC(7..0)							

\$XX

\$XX

\$XX

Command Parameters:

Parameter	Meaning	Description
CF(1..0)	Change flags	00: No change 01: Sub-channel organization change 10: Service organization change 11: Sub-channel & service organization change
AF	Alarm flag	0: Alarm messages not accessible 1: Alarm messages accessible
CIFCH(4..0)	CIF counter (higher part)	n: CIF counter higher part (modulo 20)
CIFCL(7..0)	CIF counter (lower part)	n: CIF counter lower part (modulo 250)
OC(7..0)	Occurrence change	n: Value for CIFCL, from which the new configuration is valid

## 8.1.6 Set Current SBCHID Long Form

Command Settings Overview:

- Set current sub-channel parameters (long form)

**Command  
sequence:**

Address Mode							
7	6	5	4	3	2	1	0
0	1	1	0	1	1	1	0
DAB			U2739M-B			Write Command	

\$6E

Data Mode							
7	6	5	4	3	2	1	0
0	0	0	1	0	1	0	0

\$14

Address Mode							
7	6	5	4	3	2	1	0
0	1	1	0	1	1	0	0
DAB			U2739M-B			Write Command	

\$6C

Data Mode							
7	6	5	4	3	2	1	0
ON	SCEFC	SBCHID					
SCU(9..2)							
SCU(1..0)		EP	EPPAR			CU(9..8)	
CU(7..0)							

\$XX  
\$XX  
\$XX  
\$XX

Command Parameters:

Parameter	Meaning	Description
ON	Sub-channel on/off switch	0: Switch sub-channel off 1: Switch sub-channel on
SCEFC	Single sub-channel for EFC	0: Single sub-channel for EFC remains unchanged 1: Set SBCHID as single sub-channel for EFC
SBCHID(5..0)	sub-channel identifier	n: Sub-channel ID
SCU(9..0)	Start CU for SBCHID	n: Start CU address (0..863)
EP	Error Protection	0: UEP 1: EEP
EPPAR(2..0)	Error Protection parameters	If EP = 0 (UEP): 000: Protection level P 1 001: Protection level P 2 010: Protection level P 3 011: Protection level P 4 100: Protection level P 5
		If EP = 1 (EEP): 0xx: EEP long form option 0 (protection level xx-A) 00: Protection level 1-A (code rate 2/8) 01: Protection level 2-A (code rate 3/8) 10: Protection level 3-A (code rate 4/8) 11: Protection level 4-A (code rate 6/8)  1xx: EEP long form option 1 (protection level xx-B) 00: Protection level 1-B (code rate 4/9) 01: Protection level 2-B (code rate 4/7) 10: Protection level 3-B (code rate 4/6) 11: Protection level 4-B (code rate 4/5)
CU(9..0)	Sub-channel size (number of CU's)	n: Sub-channel size in CU's (4..864)

## 8.1.7 Set Next SBCHID Long Form

Command Settings Overview:

- Set next sub-channel parameters

**Command  
sequence:**

Address Mode							
7	6	5	4	3	2	1	0
0	1	1	0	1	1	1	0
DAB			U2739M-B			Write Command	

\$6E

Data Mode							
7	6	5	4	3	2	1	0
0	0	0	1	0	1	0	1

\$15

Address Mode							
7	6	5	4	3	2	1	0
0	1	1	0	1	1	0	0
DAB			U2739M-B			Write Command	

\$6C

Data Mode							
7	6	5	4	3	2	1	0
ON	SCEFC	SBCHID					
SCU(9..2)							
SCU(1..0)		EP	EPPAR			CU(9..8)	
CU(7..0)							

\$XX  
\$XX  
\$XX  
\$XX



Command Parameters:

Parameter	Meaning	Description
ON	Sub-channel on/off switch	0: Switch sub-channel off 1: Switch sub-channel on
SCEFC	Single sub-channel for EFC	0: Single sub-channel for EFC remains unchanged 1: Set SBCHID as single sub-channel for EFC
SBCHID(5..0)	Sub-channel identifier	n: Sub-channel ID
SCU(9..0)	Start CU for SBCHID	n: Start CU address (0..863)
EP	Error Protection	0: UEP 1: EEP
EPPAR(2..0)	Error Protection parameters	If EP = 0 (UEP): 000: Protection level P 1 001: Protection level P 2 010: Protection level P 3 011: Protection level P 4 100: Protection level P 5
		If EP = 1 (EEP): 0xx: EEP long form option 0 (protection level xx-A) 00: Protection level 1-A (code rate 2/8) 01: Protection level 2-A (code rate 3/8) 10: Protection level 3-A (code rate 4/8) 11: Protection level 4-A (code rate 6/8)  1xx: EEP long form option 1 (protection level xx-B) 00: Protection level 1-B (code rate 4/9) 01: Protection level 2-B (code rate 4/7) 10: Protection level 3-B (code rate 4/6) 11: Protection level 4-B (code rate 4/5)
CU(9..0)	Sub-channel size (number of CU's)	n: Sub-channel size in CU's (4..864)

## 8.1.8 Set Current SBCHID Short Form

Command Settings Overview:

- Set current sub-channel parameters (short form)

**Command sequence:**

Address Mode							
7	6	5	4	3	2	1	0
0	1	1	0	1	1	1	0
DAB			U2739M-B			Write Command	

\$6E

Data Mode							
7	6	5	4	3	2	1	0
0	0	0	1	0	1	1	0

\$16

Address Mode							
7	6	5	4	3	2	1	0
0	1	1	0	1	1	0	0
DAB			U2739M-B			Write Command	

\$6C

Data Mode							
7	6	5	4	3	2	1	0
ON	SCEFC	SBCHID					

\$XX

Command Parameters:

Parameter	Meaning	Description
ON	Sub-channel on/off switch	0: Switch sub-channel off 1: Switch sub-channel on
SCEFC	Single sub-channel for EFC	0: Single sub-channel for EFC remains unchanged 1: Set SBCHID as single sub-channel for EFC
SBCHID(5..0)	Sub-channel identifier	n: Sub-channel ID

## 8.2 'Set Configuration' Commands

### 8.2.1 Set Global Configuration

Command Settings Overview:

- Set channel decoder AGC values
- Set channel decoder global parameters

**Command sequence:**

Address Mode							
7	6	5	4	3	2	1	0
0	1	1	0	1	1	1	0
DAB			U2739M-B			Write Command	

\$6G

Data Mode							
7	6	5	4	3	2	1	0
0	0	1	0	0	0	0	0

\$00

Address Mode							
7	6	5	4	3	2	1	0
0	1	1	0	1	1	0	0
DAB			U2739M-B			Write Command	

\$6C

Data Mode							
7	6	5	4	3	2	1	0
AGCV	0	dB3	DSC		PSC(10..8)		
PSC(7..0)							
CDPV	IFM	FSYS		SAW	ADCF	0	

\$XX

\$XX

\$XX

Command Parameters:

Parameter	Meaning	Description	Defaults
AGCV	AGC values valid	0: Following DSC/PSC values ignored 1: Following DSC/PSC values valid	
DSC(1..0)	Input data scale	n: Scale value	
PSC(10..0)	Programmable (I)FFT scale	n: Scale value	
CDPV	Channel decoder parameters valid	0: Following global parameters ignored 1: Following global parameters valid	
IFM	IF input signal mode	0: Common IF representation 1: Reverse IF representation	1
FSYS	Frame synchronization sensitivity level	00: Very high 01: High 10: Low 11: Very low	01
SAW	SAW filter equalization switch	0: Equalization off 1: Equalization on	1
ADCF	ADC format	0: Binary ADC input format 1: 2's complement ADC input format	0

## 8.2.2 Set TS Configuration

Command Settings Overview:

- Set TS post processing parameters

**Command  
sequence:**

Address Mode								
7	6	5	4	3	2	1	0	
0	1	1	0	1	1	1	0	
DAB			U2739M-B			Write Command		\$6E

Data Mode								
7	6	5	4	3	2	1	0	
0	0	1	0	0	0	0	1	\$21

Address Mode								
7	6	5	4	3	2	1	0	
0	1	1	0	1	1	0	0	
DAB			U2739M-B			Write Command		\$6C

Data Mode								
7	6	5	4	3	2	1	0	
PARV	COV	PKS		ISPCnt				\$XX
TMIN								\$XX
CIRTH								\$XX
NSTH								\$XX
GFCH								\$XX
GFCL								\$XX

Command Parameters:

Parameter	Meaning	Description	De-faults
PARV	CIR post processing parameters valid (PKS / AVG / CIRTH / NSTH / TMIN)	0: Parameters not valid 1: Following parameters valid	
COV	CIR post processing filter coefficients valid	0: Coefficients not valid 1: following coefficients valid	
PKS	Number of peaks required for 'CIR correct' indication	2 <sup>n</sup> : Required peaks	0
ISPCnt	CIR post processing average	n: CIR output average over n+1 values	0
TMIN(7..0)	CIR minimum dT output	n: Minimum dT output after CIR post processing (* 488 ns)	0
CIRTH(7..0)	CIR threshold	n.n: – Threshold value for CIR peak detection (format: 4.4 bit) – Will be multiplied by ? (standard deviation)	3.0
NSTH(7..0)	Noise threshold	n: – Noise threshold value (8 bit unsigned) – Will be multiplied by 32	0
B0(15..0)	IIR filter coefficients	Coefficients for 1 <sup>st</sup> order IIR filter used for CIR post processing (Q15 format required)	0.5 0.5 0

## 8.2.3 Set FS Configuration

Command Settings Overview:

- Set FS post processing parameters

Command sequence:

Address Mode							
7	6	5	4	3	2	1	0
0	1	1	0	1	1	1	0
DAB			U2739M-B			Write Command	

\$6E

Data Mode							
7	6	5	4	3	2	1	0
0	0	1	0	0	0	1	0

\$22

Address Mode							
7	6	5	4	3	2	1	0
0	1	1	0	1	1	0	0
DAB			U2739M-B			Write Command	

\$6C

Data Mode								
7	6	5	4	3	2	1	0	
GA								\$XX
THA								\$XX
GB								\$XX
THB								\$XX
GC								\$XX
F2FT								\$XX

Command Parameters:

Parameter	Meaning	Description	Defaults
GA(7..0)	Area A gradient	n: Fractional part	0.03125
THA(7..0)	Area A threshold	n: Fractional part	0.03125
GB(7..0)	Area B gradient	n: Fractional part	0.125
THB(7..0)	Area B threshold	n: Fractional part	0.25
GC(7..0)	Area C gradient	n: Fractional part	0.5
F2FT(7..0)	Max. frame-to-frame tolerance	n: Maximum frequency shift in carriers (format: 3.5 bit)	1.0

## 8.2.4 Set XO Configuration

Command Settings Overview:

- Set XO control parameters

**Command sequence:**

Address Mode							
7	6	5	4	3	2	1	0
0	1	1	0	1	1	1	0
DAB			U2739M-B			Write Command	

\$6E

Data Mode							
7	6	5	4	3	2	1	0
0	0	1	0	0	0	1	1

\$23

Address Mode							
7	6	5	4	3	2	1	0
0	1	1	0	1	1	0	0
DAB			U2739M-B			Write Command	

\$6C

Data Mode							
7	6	5	4	3	2	1	0
XO_Rough line							
XO_Fine line							
XOAVG						0	

\$XX

\$XX

\$XX

Command Parameters:

Parameter	Meaning	Description	Defaults
XO_B0(15..0) XO_B1(15..0) XO_B2(15..0) XO_A1(15..0) XO_A2(15..0)	IIR filter coefficients	Coefficients for 2 <sup>nd</sup> order IIR filter used for XO control	0.25 0.5 0.25 0 0
XOAVG(4..0)	XO control average	n: XO control average over n+1 values	0

## 8.2.5 Set HSSO / RS232 Configuration

Command Settings Overview:

- Set HSSO parameters
- Set RS232 parameters

Command sequence:

Address Mode							
7	6	5	4	3	2	1	0
0	1	1	0	1	1	1	0
DAB			U2739M-B			Write Command	

\$6E

Data Mode							
7	6	5	4	3	2	1	0
0	0	1	0	0	1	0	0

\$00

Address Mode							
7	6	5	4	3	2	1	0
0	1	1	0	1	1	0	0
DAB			U2739M-B			Write Command	

\$6C

Data Mode							
7	6	5	4	3	2	1	0
HCLK		HCIRL		HPAD	HDD2	HDD1	HCIR
RSBAUD		0				RSSEL	

\$XX  
\$XX

Command Parameters:

Parameter	Meaning	Description
HCLK(1..0)	HSSO bit clock	00: 0.768 MHz 01: 1.536 MHz 10: 3.072 MHz 11: 6.144 MHz
HCIRL(1..0)	HSSO CIR output length	00: N values (DAB system mode dependent) 01: N/2 1x: N/4
HPAD	HSSO PAD output switch	0: No PAD output via HSSO 1: PAD output
HDD2	HSSO DD2 output switch	0: No DD2 output via HSSO 1: DD2 output
HDD1	HSSO DD1 output switch	0: No DD1 output via HSSO 1: DD1 output
HCIR	HSSO CIR output switch	0: No CIR output via HSSO 1: CIR output
RSBAUD(1..0)	RS232 baud rate	00: 19200 baud 01: 38400 baud 10: 57600 baud 11: 115200 baud
RSSEL(1..0)	RS232 output selection	00: no output 01: DD1 10: DD2 11: PAD



Command Parameters:

Parameter	Meaning	Description
UFS	USE FS module	0: Internal set2 XTFPR module used 1: External USE module used
UFSP	USE FS post processing module	0: Internal set2 module used 1: External USE module used
UTSP	USE TS post processing module	0: Internal set2 module used 1: External USE module used
UXOC	USE XO control module	0: Internal set2 module used 1: External USE module used
UDD1	USE DD1 module	0: Internal set2 module used 1: External USE module used
UDD2	USE DD2 module	0: Internal set2 module used 1: External USE module used
UPAD	USE PAD extraction module	0: Internal set2 module used 1: External USE module used
UTII	USE TII module	0: Internal set2 module used 1: External USE module used
UAMD ... UNMI	Reserved	

## 8.2.6 Set WAGC Configuration

Command Settings Overview:

- Set WAGC rising edge / falling edge parameters

**Command sequence:**

Address Mode							
7	6	5	4	3	2	1	0
0	1	1	0	1	1	1	0
DAB			U2739M-B			Write Command	

\$6E

Data Mode							
7	6	5	4	3	2	1	0
0	0	1	0	0	1	1	0

\$26

Address Mode							
7	6	5	4	3	2	1	0
0	1	1	0	1	1	0	0
DAB			U2739M-B			Write Command	

\$6C

Data Mode							
7	6	5	4	3	2	1	0
WRISE(3..0)				WS	0		WV
WRISE(11..4)							
WFALL(1..0)			WRISE(17..12)				
WFALL(9..2)							
WFALL(17..10)							

\$XX  
\$XX  
\$XX  
\$XX  
\$XX

Command Parameters:

Parameter	Meaning	Description
WV	WAGC values valid	0: use default WAGC values 1: use following WAGC values
WRISE(17..0)	WAGC rising edge time marker	n: value for WAGC rising edge
WFALL(17..0)	WAGC falling edge time marker	n: value for WAGC falling edge

## 8.2.7 Set RCC Slot Configuration

Command Settings Overview:

- Set RCC slot data

**Command  
sequence:**

Address Mode							
7	6	5	4	3	2	1	0
0	1	1	0	1	1	1	0
DAB			U2739M-B			Write Command	

\$6E

Data Mode							
7	6	5	4	3	2	1	0
0	0	1	0	0	1	1	1

\$27

Address Mode							
7	6	5	4	3	2	1	0
0	1	1	0	1	1	0	0
DAB			U2739M-B			Write Command	

\$6C

Data Mode								
7	6	5	4	3	2	1	0	
RCC(7..0)								\$XX
RCC(15..8)								\$XX
RCC(23..16)								\$XX
RCC(31..24)								\$XX
RCC(39..32)								\$XX
RCC(47..40)								\$XX
RCC(55..48)								\$XX
RCC(63..56)								\$XX

Command Parameters:

Parameter	Meaning	Description
RCC(63..0)	RCC slot data	

## 8.2.8 Set RFU

Command Settings Overview:

- Set RFU parameters

**Command sequence:**

Address Mode								
7	6	5	4	3	2	1	0	
0	1	1	0	1	1	1	0	
DAB			U2739M-B			Write Command		\$6E

Data Mode								
7	6	5	4	3	2	1	0	
0	0	1	1	0	0	0	0	\$30

Address Mode								
7	6	5	4	3	2	1	0	
0	1	1	0	1	1	0	0	
DAB			U2739M-B			Write Command		\$6C

Data Mode								
7	6	5	4	3	2	1	0	
(reserved)								\$XX
(reserved)								\$XX
(reserved)								\$XX
(reserved)								\$XX
RFU4								\$XX
RFU5								\$XX
RFU6								\$XX
...								\$XX
...								\$XX
RFU42								\$XX
RFU43								\$XX
RFU44								\$XX

Command Parameters:

Parameter	Meaning	Description
(reserved)		Reserved for internal use (Atmel Wireless & Microcontrollers will deliver default values, if necessary)
RFU4..44		Reserved for future use

## 8.3 'Read Status' Commands

### 8.3.1 Read Global Status

Command Overview:

- Get DAB system mode
- Get OAK core operating mode
- Get synchronization status
- Get AGC information

**Command sequence:**

Address Mode							
7	6	5	4	3	2	1	0
0	1	1	0	1	1	1	1
DAB			U2739M-B			Write Command	

\$6F

Data Mode							
7	6	5	4	3	2	1	0
0	1	0	0	0	0	0	0

\$40

Address Mode							
7	6	5	4	3	2	1	0
0	1	1	0	1	1	0	1
DAB			U2739M-B			Write Command	

\$6D

Data Mode							
7	6	5	4	3	2	1	0
DABMODE		OAKMODE		MV	FSLI	SLI	WDSP
0			CIRS	CCIR		CAFC	
0	PSLI			IDSL		P(8)	
P(7..0)							

\$XX

\$XX

\$XX

\$XX

Command Parameters:

Parameter	Meaning	Description
DABMODE(1..0)	DAB system mode	00: DAB system mode 4 01: DAB system mode 1 10: DAB system mode 2 11: DAB system mode 3
OAKMODE(1..0)	OAK operating mode	00: Normal stand-alone 01: USE boot mode 10: XUSE boot mode 11: HOST boot mode
MV	MODE_VALID line status	
FSLI	FSLI line status	
SLI	SLI line status	
CIRS	CIR status	0: No CIR detected 1: CIR correct
CCIR(1..0)	Coded CIR status	00: $ \text{average}  \approx N/64$ 01: $N/64 <  \text{average}  \approx N/8$ 10: $ \text{average}  > N/4$ 11: rfu.
CAFC(1..0)	Coded AFC status	00: $ \text{dF}_{\text{FRAME}}  \approx \text{TA}$ 01: $\text{TA} <  \text{dF}_{\text{FRAME}}  \approx \text{TB}$ 10: $\text{TB} <  \text{dF}_{\text{FRAME}}  < 16 \text{ kHz}$ 11: $ \text{dF}_{\text{FRAME}}  \approx 16 \text{ kHz}$
PSLI(3..0)	Precise signal level information	0000: Very weak signal ... 1111: Very strong signal
IDSL(1..0)	Input data signal level	00: Weak input signal 01: Typical input signal 10: Strong input signal 11: rfu.
P(8..0)	Calculated in-band power	
WDSP	Watchdog DSP	Toggels every 24 ms from 0 to 1

## 8.3.2 Read Synchronization Status

Command Overview:

- Get TS control value
- Get FS control value

**Command sequence:**

Address Mode							
7	6	5	4	3	2	1	0
0	1	1	0	1	1	1	1
DAB			U2739M-B			Write Command	

\$6F

Data Mode							
7	6	5	4	3	2	1	0
0	1	0	0	0	0	0	1

\$41

Address Mode							
7	6	5	4	3	2	1	0
0	1	1	0	1	1	0	1
DAB			U2739M-B			Write Command	

\$6D

Data Mode								
7	6	5	4	3	2	1	0	
DT(9..2)								\$XX
DT(1..0)		0		DF(19..16)				\$XX
DF(15..8)								\$XX
DF(7..0)								\$XX

Command Parameters:

Parameter	Meaning	Description
DT(9..0)	Detected time deviation	n: Cycle count (signed, @2.048 MHz) <sup>1)</sup>
DF(19..0)	Detected channel frequency deviation	n: Deviation in carriers (signed, Q11 format)

1) Signed values refers to virtual zero at  $T_{\text{guard}}/2$

## 8.3.3 Read CIR Status

Command Overview:

- Get CIR post processing results <sup>1)</sup>

Command sequence:

Address Mode							
7	6	5	4	3	2	1	0
0	1	1	0	1	1	1	1
DAB			U2739M-B			Write Command	

\$6F

Data Mode							
7	6	5	4	3	2	1	0
0	1	0	0	0	0	1	0

\$42

Address Mode							
7	6	5	4	3	2	1	0
0	1	1	0	1	1	0	1
DAB			U2739M-B			Write Command	

\$6D

Data Mode								
7	6	5	4	3	2	1	0	
P_FIRST(15..8)								\$XX
P_FIRST(7..0)								\$XX
P_AGV(15..8)								\$XX
P_AGV(7..0)								\$XX
P_LAST(15..8)								\$XX
P_LAST(7..0)								\$XX

Command Parameters:

Parameter	Meaning	Description
P_FIRST(15..0)	Index of 1 <sup>st</sup> CIR peak above CIR threshold	n: Cycle count (signed, @2.048 MHz) <sup>2)</sup>
P_AVG(15..0)	Index of CIR average value	n: Cycle count (signed, @2.048 MHz)
P_LAST(15..0)	Index of last CIR peak above CIR threshold	n: Cycle count (signed, @2.048 MHz)

- 1) If time synchronization has lost all values are set to \$8000 !
- 2) Signed values refers to zero at  $T_{guard}/2$



## 8.4 'Read Data' Commands

### 8.4.1 Read ASD Header Data

Command Overview:

- Get MPEG audio header

**Command sequence:**

Address Mode							
7	6	5	4	3	2	1	0
0	1	1	0	1	1	1	1
DAB			U2739M-B			Write Command	

\$6F

Data Mode							
7	6	5	4	3	2	1	0
0	1	0	1	0	0	0	0

\$50

Address Mode							
7	6	5	4	3	2	1	0
0	1	1	0	1	1	0	1
DAB			U2739M-B			Write Command	

\$6D

Data Mode							
7	6	5	4	3	2	1	0
MPG_HW1(15..8)							
MPG_HW1(7..0)							
MPG_HW2(15..8)							
MPG_HW2(7..0)							

\$XX

\$XX

\$XX

\$XX

Command Parameters:

Parameter	Meaning	Description
MPG_HW1(15..0)	1 <sup>st</sup> MPEG header word	Sync. word (\$FFFx) expected
MPG_HW2(15..0)	2 <sup>nd</sup> MPEG header word	MPEG stream signature

## 8.4.2 Read X-PAD

Command Overview:

- Get MPEG ancillary data (X-PAD)

**Command  
sequence:**

Address Mode							
7	6	5	4	3	2	1	0
0	1	1	0	1	1	1	1
DAB			U2739M-B			Write Command	

\$6F

Data Mode							
7	6	5	4	3	2	1	0
0	1	0	1	0	XPNUM		

\$5X

Address Mode							
7	6	5	4	3	2	1	0
0	1	1	0	1	1	0	1
DAB			U2739M-B			Write Command	

\$6D

Data Mode							
7	6	5	4	3	2	1	0
X-PAD0							
...							
X-PAD31							

\$XX  
\$XX

Command Parameters:

Parameter	Meaning	Description
XPNUM	X-PAD block number n (n from 1..5)	The maximum X-PAD capacity supported by the U2739M-B is 64kbit/s. The access is splitted into 6 blocks (numbered 1..5) of 32 bytes. The blocks are time aligned, that means block 1 is the first block in an MPEG frame after audio samples.
X-PADm	X-PAD byte m	Byte 0 is the first byte of block n, byte 31 the last one. It is followed by the first one of block n+1.
	Read RFU	Use MC command "RFU" to read block 6

## 8.4.3 Read F-PAD

Command Overview:

- Get MPEG ancillary data (F-PAD)

**Command  
sequence:**

Address Mode							
7	6	5	4	3	2	1	0
0	1	1	0	1	1	1	1
DAB			U2739M-B			Write Command	

\$6F

Data Mode							
7	6	5	4	3	2	1	0
0	1	0	1	1	0	0	0

\$58

Address Mode							
7	6	5	4	3	2	1	0
0	1	1	0	1	1	0	1
DAB			U2739M-B			Write Command	

\$6D

Data Mode							
7	6	5	4	3	2	1	0
F-PAD0							
F-PAD1							

\$XX

\$XX

Command Parameters:

Parameter	Meaning	Description
F-PAD0	F-PAD byte 0	
F-PAD1	F-PAD byte 1	

## 8.4.4 Read AIC Data

Command Overview:

- Get AIC data

Command sequence:

Address Mode							
7	6	5	4	3	2	1	0
0	1	1	0	1	1	1	1
DAB			U2739M-B			Write Command	

\$6F

Data Mode							
7	6	5	4	3	2	1	0
0	1	1	0	AICNUM			

\$6X

Address Mode							
7	6	5	4	3	2	1	0
0	1	1	0	1	1	0	1
DAB			U2739M-B			Write Command	

\$6D

Data Mode							
7	6	5	4	3	2	1	0
AIC0							
...							
AIC31							

\$XX  
\$XX

Command Parameters:

Parameter	Meaning	Description
AICNUM	AIC block number n	The maximum AIC capacity is 512 bytes. The access is splitted into 16 blocks (numbered 0..15) of 32 bytes. The blocks are time aligned, that means block 0 is the first filled block.
AICm	AIC byte m	Byte 0 is the first byte of block n, byte 31 the last one. It is followed by the first one of block n+1.

## 8.4.5 Read TII Data

Command Overview:

- Get TII data

**Command sequence:**

Address Mode							
7	6	5	4	3	2	1	0
0	1	1	0	1	1	1	1
DAB			U2739M-B			Write Command	

\$6F

Data Mode							
7	6	5	4	3	2	1	0
0	1	1	1	0	0	TIINUM	

\$7X

Address Mode							
7	6	5	4	3	2	1	0
0	1	1	0	1	1	0	1
DAB			U2739M-B			Write Command	

\$6D

Data Mode							
7	6	5	4	3	2	1	0
TII0							
...							
TII31							

\$XX

\$XX

Command Parameters:

Parameter	Meaning	Description
TIINUM	TII block number n	The maximum TII capacity is 128 bytes. The access is splitted into 4 blocks (numbered 0..3) of 32 bytes. The blocks are time aligned, that means block 0 is the first filled block.
TII <sub>m</sub>	TII byte m	Byte 0 is the first byte of block n, byte 31 the last one. It is followed by the first one of block n+1.

## 8.4.6 Read EFC Data

Command Overview:

- Get EFC data

Command sequence:

Address Mode							
7	6	5	4	3	2	1	0
0	1	1	0	1	1	1	1
DAB			U2739M-B			Write Command	

\$6F

Data Mode							
7	6	5	4	3	2	1	0
1	0	0	0	0	0	EFCSEL	

\$8X

Address Mode							
7	6	5	4	3	2	1	0
0	1	1	0	1	1	0	1
DAB			U2739M-B			Write Command	

\$6D

Data Mode							
7	6	5	4	3	2	1	0
EFC(7..0)							
EFC(15..8)							

\$XX  
\$XX

Command Parameters:

Parameter	Meaning	Description
EFCSEL	EFC selection	00: EFC of FIC 01: EFC of all MSC applications
EFC(15..0)	EFC value for chosen application	n: EFC value summarized over... ... 12 FIB's (DAB mode 1) ... 3 FIB's (DAB mode 2) ... 4 FIB's (DAB mode 3) ... 6 FIB's (DAB mode 4)

## 8.4.7 Read FIC Data

Command Overview:

- Get FIB bytes

**Command sequence:**

Address Mode							
7	6	5	4	3	2	1	0
0	1	1	0	1	1	1	1
DAB			U2739M-B			Write Command	

\$6F

Data Mode							
7	6	5	4	3	2	1	0
1	0	0	1	FIBNUM			

\$9X

Address Mode							
7	6	5	4	3	2	1	0
0	1	1	0	1	1	0	1
DAB			U2739M-B			Write Command	

\$6D

Data Mode							
7	6	5	4	3	2	1	0
FIB0							
...							
FIB31							

\$XX

\$XX

Command Parameters:

Parameter	Meaning	Description
FIBNUM	FIB number n	Possible FIB numbers DAB mode dependent: 0..11 (DAB mode 1) 0..2 (DAB mode 2) 0..3 (DAB mode 3) 0..5 (DAB mode 4)
FIBm	FIB byte m	Each FIB consists of 32 bytes. The order of the FIB bytes and bits corresponds to the serial FIC processing. That means:  (1) Byte order: The first 8 output bits after FIC processing represent FIB byte 0 of FIB number 0, the next ones FIB byte 1 of FIB number 0 and so on.  (2) Bit order: The FIB bytes are given out MSB first. The first outgoing bit represents bit 7 of the corresponding byte, the next one bit 6 and so on. The FIB bits are numbered from bit 0 (MSB of FIB0) up to bit 255 (LSB of FIB31).  NOTE: The last 2 bytes of an FIB represent the result of the U2739M internal CRC check. That means, if these bytes are \$00 both, the internal CRC check was successful and the FIB data bytes are correct.

## 8.4.8 Read RCC Slot

Command Overview:

- Get RCC slot data

Command sequence:

Address Mode							
7	6	5	4	3	2	1	0
0	1	1	0	1	1	1	1
DAB			U2739M-B			Write Command	

\$6F

Data Mode							
7	6	5	4	3	2	1	0
1	0	1	0	0	0	0	0

\$A0

Address Mode							
7	6	5	4	3	2	1	0
0	1	1	0	1	1	0	1
DAB			U2739M-B			Write Command	

\$6D

Data Mode								
7	6	5	4	3	2	1	0	
RCC(7..0)								\$XX
RCC(15..8)								\$XX
RCC(23..16)								\$XX
RCC(31..24)								\$XX
RCC(39..32)								\$XX
RCC(47..40)								\$XX
RCC(55..48)								\$XX
RCC(3..56)								\$XX

Command Parameters:

Parameter	Meaning	Description
RCC(63..0)	RCC slot data	



## 8.4.9 Read Slot Pointer

Command Overview:

- Get RCC RX/TX slot pointer

**Command sequence:**

Address Mode							
7	6	5	4	3	2	1	0
0	1	1	0	1	1	1	1
DAB			U2739M-B			Write Command	

\$6F

Data Mode							
7	6	5	4	3	2	1	0
1	0	1	0	0	0	0	1

\$A1

Address Mode							
7	6	5	4	3	2	1	0
0	1	1	0	1	1	0	1
DAB			U2739M-B			Write Command	

\$6D

Data Mode							
7	6	5	4	3	2	1	0
TXPTR				RXPTR			

\$XX

Command Parameters:

Parameter	Meaning	Description
RXPTR(3..0)	RCC RX slot pointer	
TXPTR(3..0)	RCC TX slot pointer	

## 8.4.10 Read RFU

Command Overview:

- Get RFU data

Command sequence:

Address Mode							
7	6	5	4	3	2	1	0
0	1	1	0	1	1	1	1
DAB			U2739M-B			Write Command	

\$6F

Data Mode							
7	6	5	4	3	2	1	0
1	0	1	1	0	0	0	0

\$9X

Address Mode							
7	6	5	4	3	2	1	0
0	1	1	0	1	1	0	1
DAB			U2739M-B			Write Command	

\$6D

Data Mode							
7	6	5	4	3	2	1	0
RFU0							
...							
RFU43							

\$XX  
\$XX

Command Parameters:

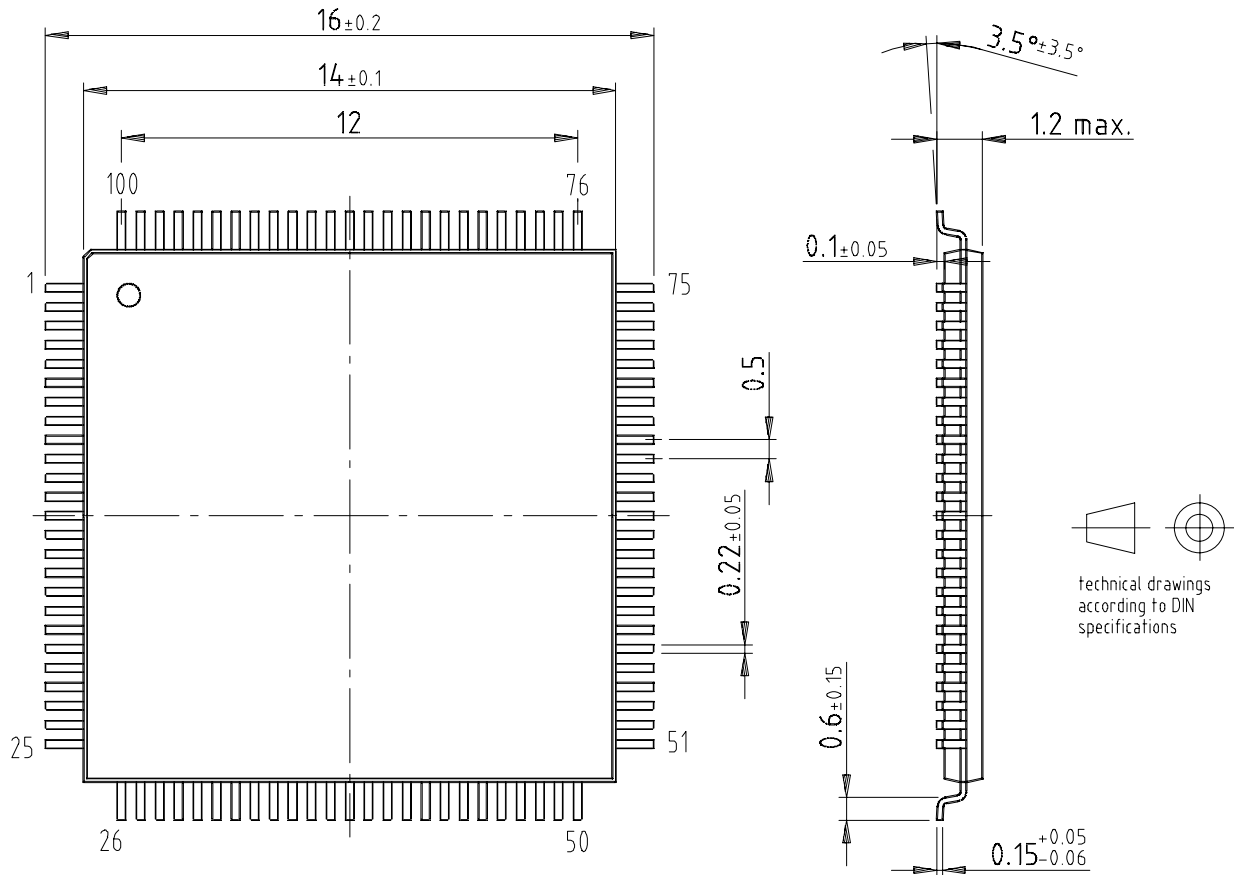
Parameter	Meaning	Description
XPAD0..31	XPAD block 6	See: read XPAD command
RFU0..11		Reserved for future use

## 9 Package Information

Package: T-PQFP-G 100

(acc. JEDEC OUTLINE No. MS-026)

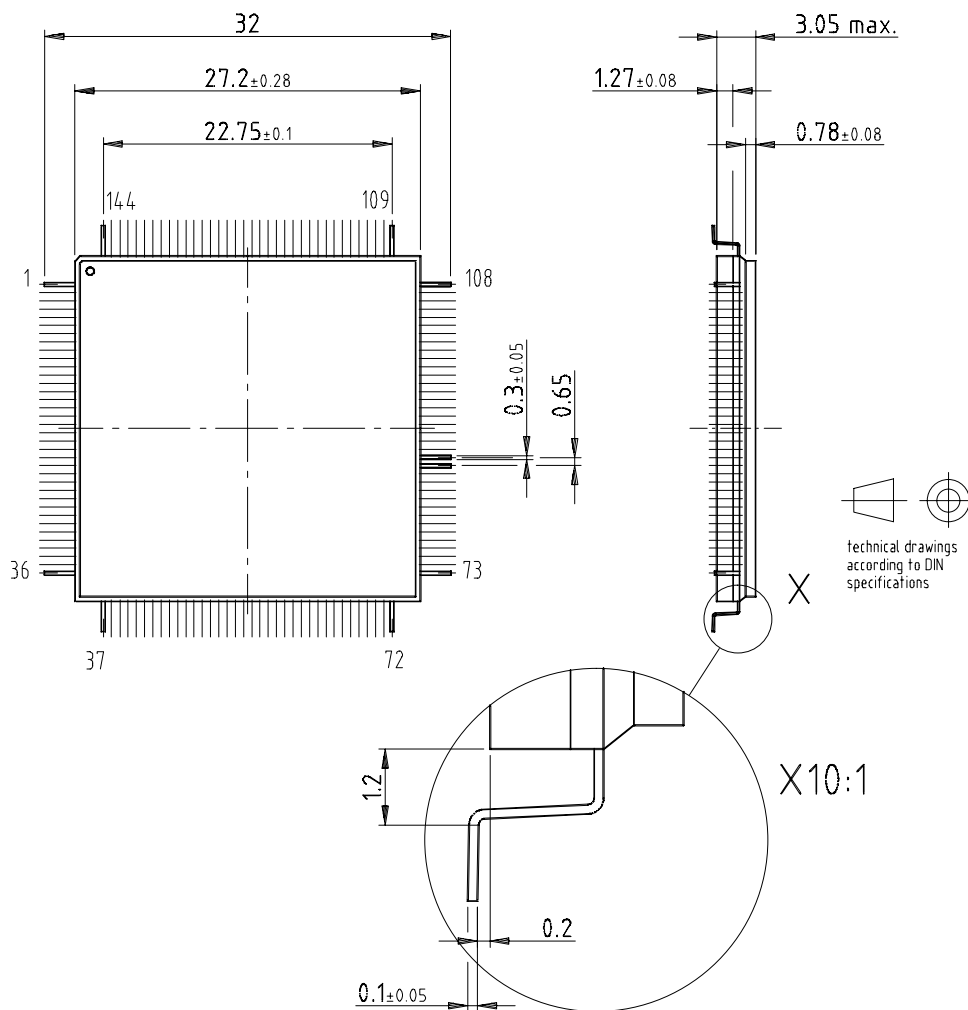
Dimensions in mm



# U2739M-B



Package: CQFP- 144  
Dimensions in mm



## Ozone Depleting Substances Policy Statement

It is the policy of **Atmel Germany GmbH** to

1. Meet all present and future national and international statutory requirements.
2. Regularly and continuously improve the performance of our products, processes, distribution and operating systems with respect to their impact on the health and safety of our employees and the public, as well as their impact on the environment.

It is particular concern to control or eliminate releases of those substances into the atmosphere which are known as ozone depleting substances (ODSs).

The Montreal Protocol (1987) and its London Amendments (1990) intend to severely restrict the use of ODSs and forbid their use within the next ten years. Various national and international initiatives are pressing for an earlier ban on these substances.

**Atmel Germany GmbH** has been able to use its policy of continuous improvements to eliminate the use of ODSs listed in the following documents.

1. Annex A, B and list of transitional substances of the Montreal Protocol and the London Amendments respectively
2. Class I and II ozone depleting substances in the Clean Air Act Amendments of 1990 by the Environmental Protection Agency (EPA) in the USA
3. Council Decision 88/540/EEC and 91/690/EEC Annex A, B and C (transitional substances) respectively.

**Atmel Germany GmbH** can certify that our semiconductors are not manufactured with ozone depleting substances and do not contain such substances.

**We reserve the right to make changes to improve technical design and may do so without further notice.**

Parameters can vary in different applications. All operating parameters must be validated for each customer application by the customer. Should the buyer use Atmel Wireless & Microcontrollers products for any unintended or unauthorized application, the buyer shall indemnify Atmel Wireless & Microcontrollers against all claims, costs, damages, and expenses, arising out of, directly or indirectly, any claim of personal damage, injury or death associated with such unintended or unauthorized use.

**Data sheets can also be retrieved from the Internet: <http://www.atmel-wm.com>**

Atmel Germany GmbH, P.O.B. 3535, D-74025 Heilbronn, Germany  
Telephone: 49 (0)7131 67 2594, Fax number: 49 (0)7131 67 2423