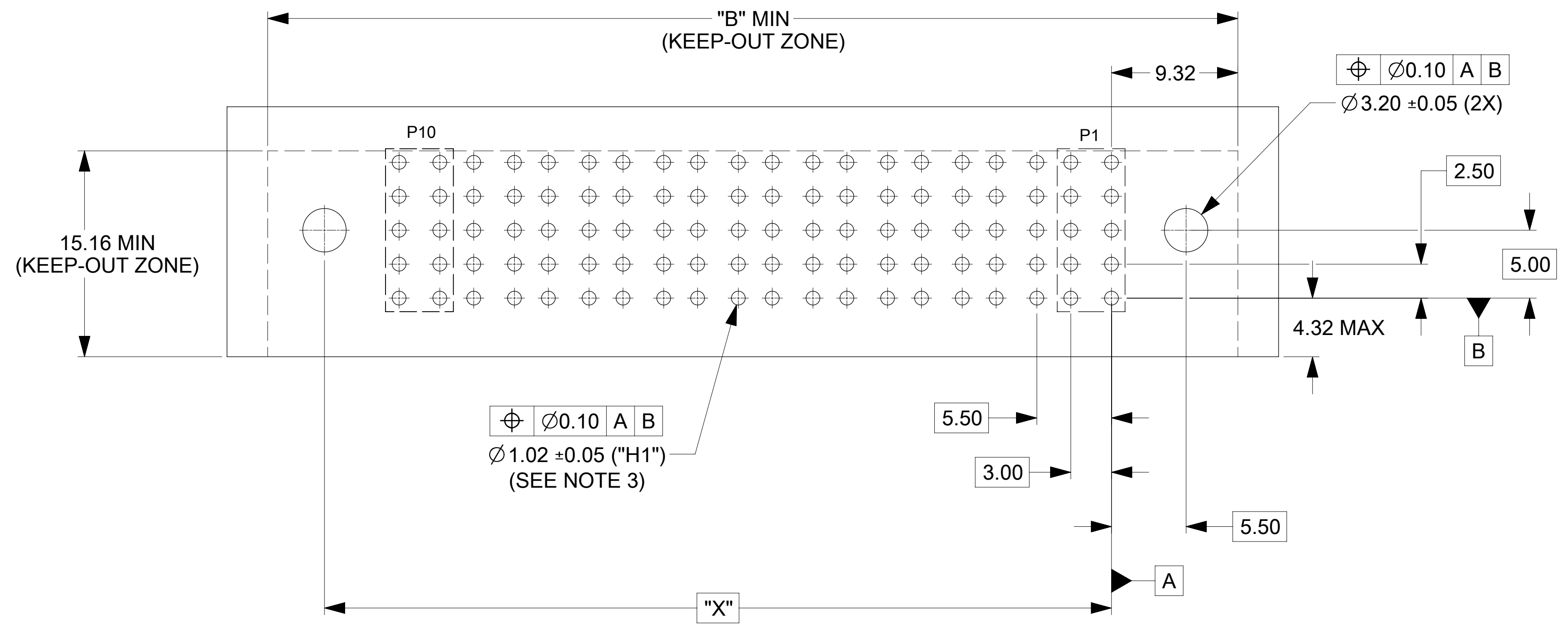
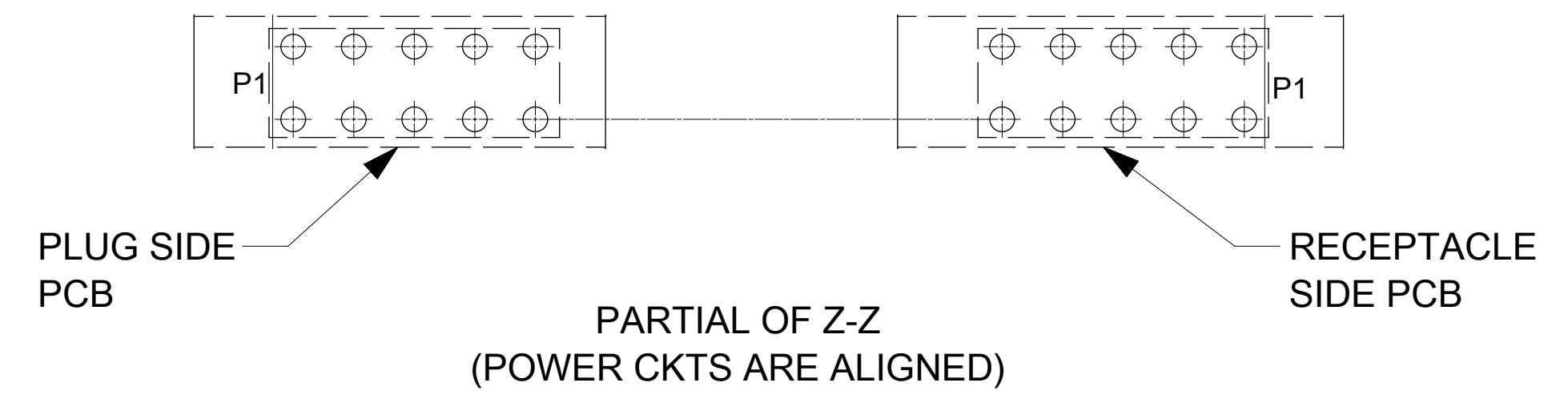
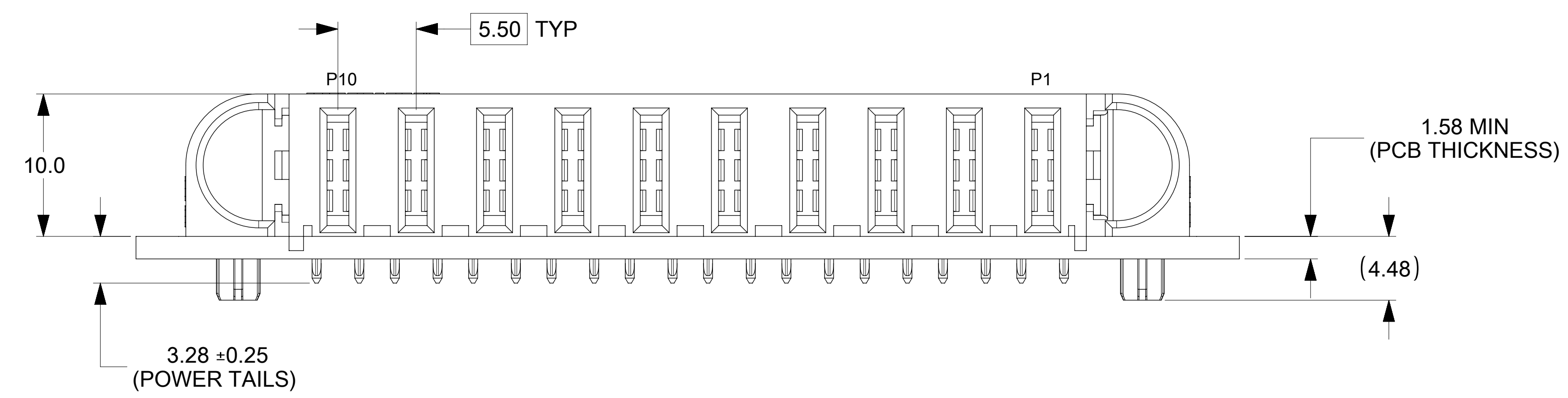


P/N : 46436-9310 (G-10P-G)



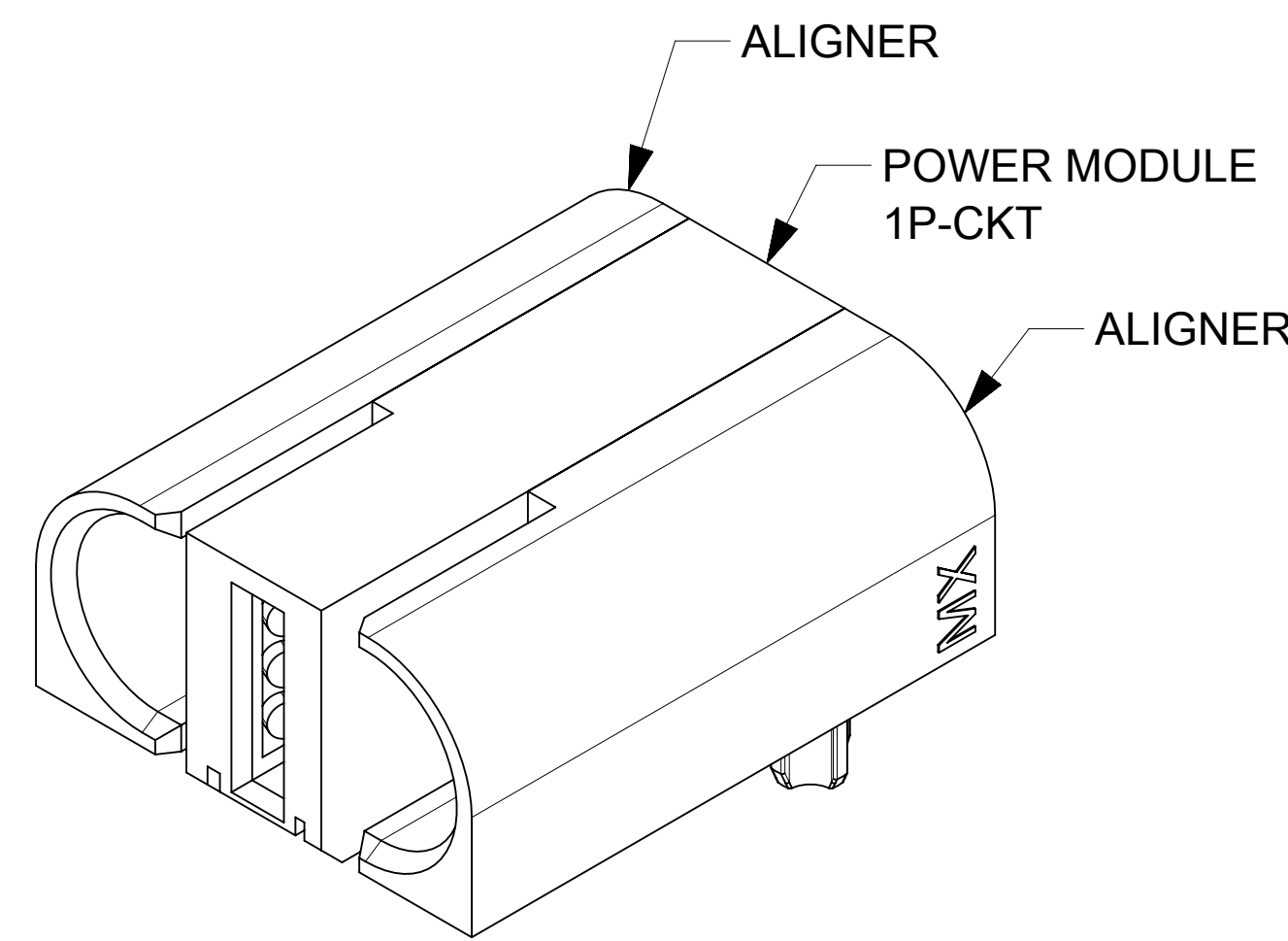
- NOTES:
- MATERIAL:
    - HOUSINGS: LCP UL94, V-0, COLOR: BLACK
    - TERMINALS: HIGH CONDUCTIVITY COPPER ALLOY
    - PLATING: 1.27 MICROMETER (50 MICROINCH) NICKEL OVERALL WITH 2.54 MICROMETER (100 MICROINCH) SELECTIVE TIN ON TAILS AND 0.762 MICROMETER (30 MICROINCH) SELECTIVE GOLD ON CONTACT AREA
  - PACKAGING: ASSEMBLIES TO BE TRAY PACKED PER PACKAGING SPEC: 464361001-PK
  - PLATED THRU HOLE SIZE, REFER TO PS-46436-100 FOR DETAILS
  - PRODUCT SPEC: PS-46436-100
  - APPLICATION SPEC: AS-46436-100
  - PRODUCT TO MEET RoHS REQUIREMENTS
  - ASSEMBLY MATES TO MOLEX PLUG ASSEMBLY P/N 46437-\*\*\*\* (SEE TABLE IN SHEET 2)
  - TAIL DESIGN: COMPLIANT TAILS
  - POWER CONTACTS ARE LUBRICATED.
  - MOLEX LOGO TO BE LOCATED APPROXIMATELY AS SHOWN.

|   |        |   |  |            |  |                 |  |          |  |
|---|--------|---|--|------------|--|-----------------|--|----------|--|
| THIS DRAWING CONTAINS INFORMATION THAT IS PROPRIETARY TO MOLEX ELECTRONIC TECHNOLOGIES, LLC AND SHOULD NOT BE USED WITHOUT WRITTEN PERMISSION |        |   |  |            |  |                 |  |          |  |
| DIMENSION UNITS   | SCALE  | CURRENT REV DESC: ADDED ISOMETRIC VIEWS |  |            |  |                 |  |          |  |
| mm  | 4:1    |   |  |            |  |                 |  |          |  |
| GENERAL TOLERANCES (UNLESS SPECIFIED)   |        |   |  |            |  |                 |  |          |  |
| ANGULAR TOL   | ± 0.5° |   |  |            |  |                 |  |          |  |
| 4 PLACES  | ±      | EC NO: 689821                           |  |            |  |                 |  |          |  |
| 3 PLACES  | ±      | DRWN: HARSHG                            |  | 2021/12/13 |  |                 |  |          |  |
| 2 PLACES  | ± 0.13 | CHK'D: GJEEVANSURES                     |  | 2021/12/22 |  |                 |  |          |  |
| 1 PLACE   | ± 0.25 | APPR: HTHYAGARAJ                        |  | 2022/02/14 |  |                 |  |          |  |
| 0 PLACES  | ±      | INITIAL REVISION:                       |  |            |  |                 |  |          |  |
| DRAFT WHERE APPLICABLE MUST REMAIN WITHIN DIMENSIONS  |        | DRWN: KSUTAR                            |  | 2021/08/17 |  |                 |  |          |  |
|   |        | APPR: HTHYAGARAJ                        |  | 2021/10/21 |  |                 |  |          |  |
| THIRD ANGLE PROJECTION  |        | DRAWING                                 |  | SERIES     |  | MATERIAL NUMBER |  | CUSTOMER |  |
| D-SIZE  |        | 46436                                   |  | SEE TABLE  |  | GENERAL MARKET  |  | 1 OF 3   |  |

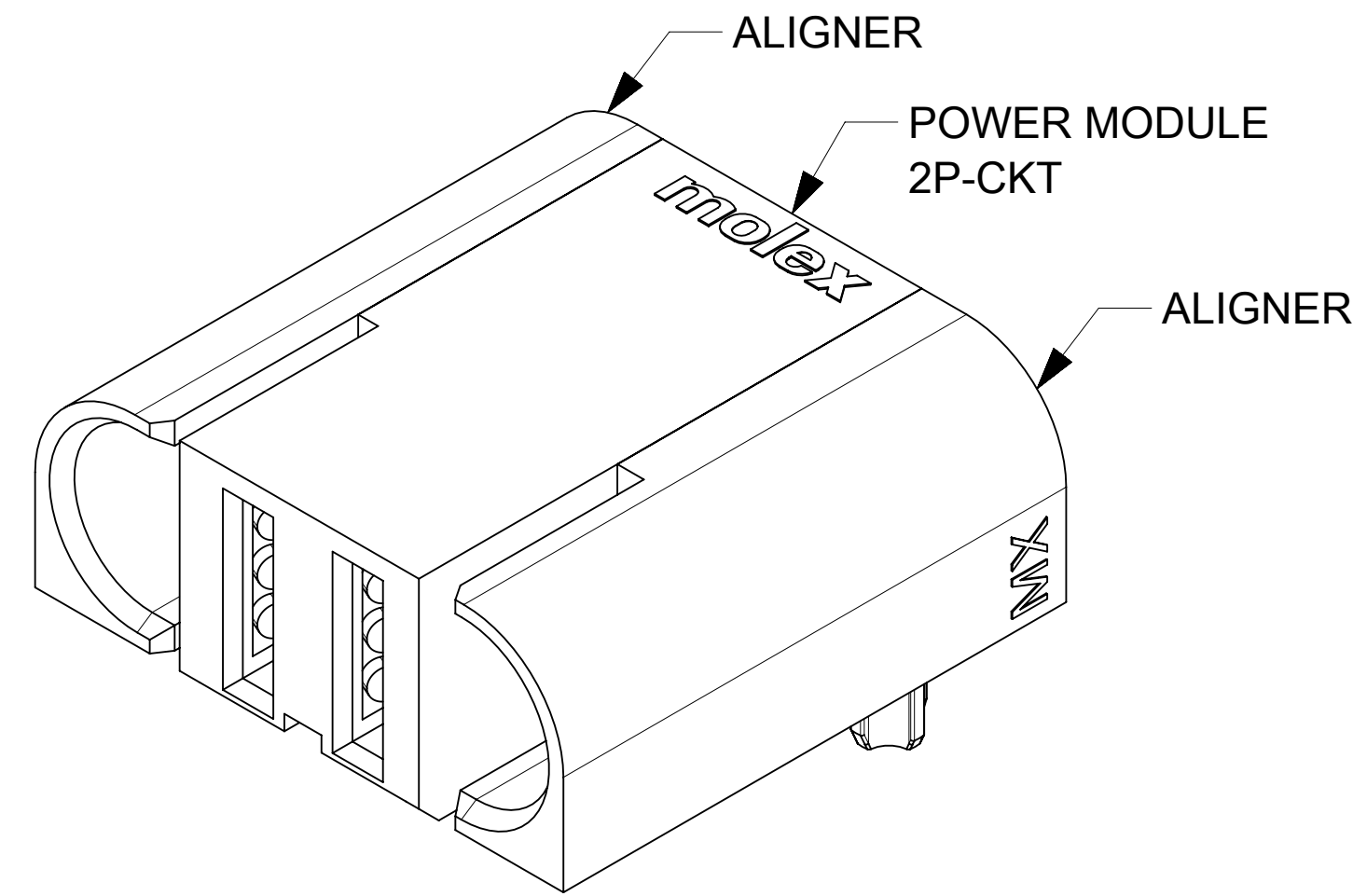
RECOMMENDED PCB LAYOUT AND KEEP-OUT ZONE FOR G-(1P TO 10P)-G

REFER TO BELOW TABLE FOR DIMENSIONS.

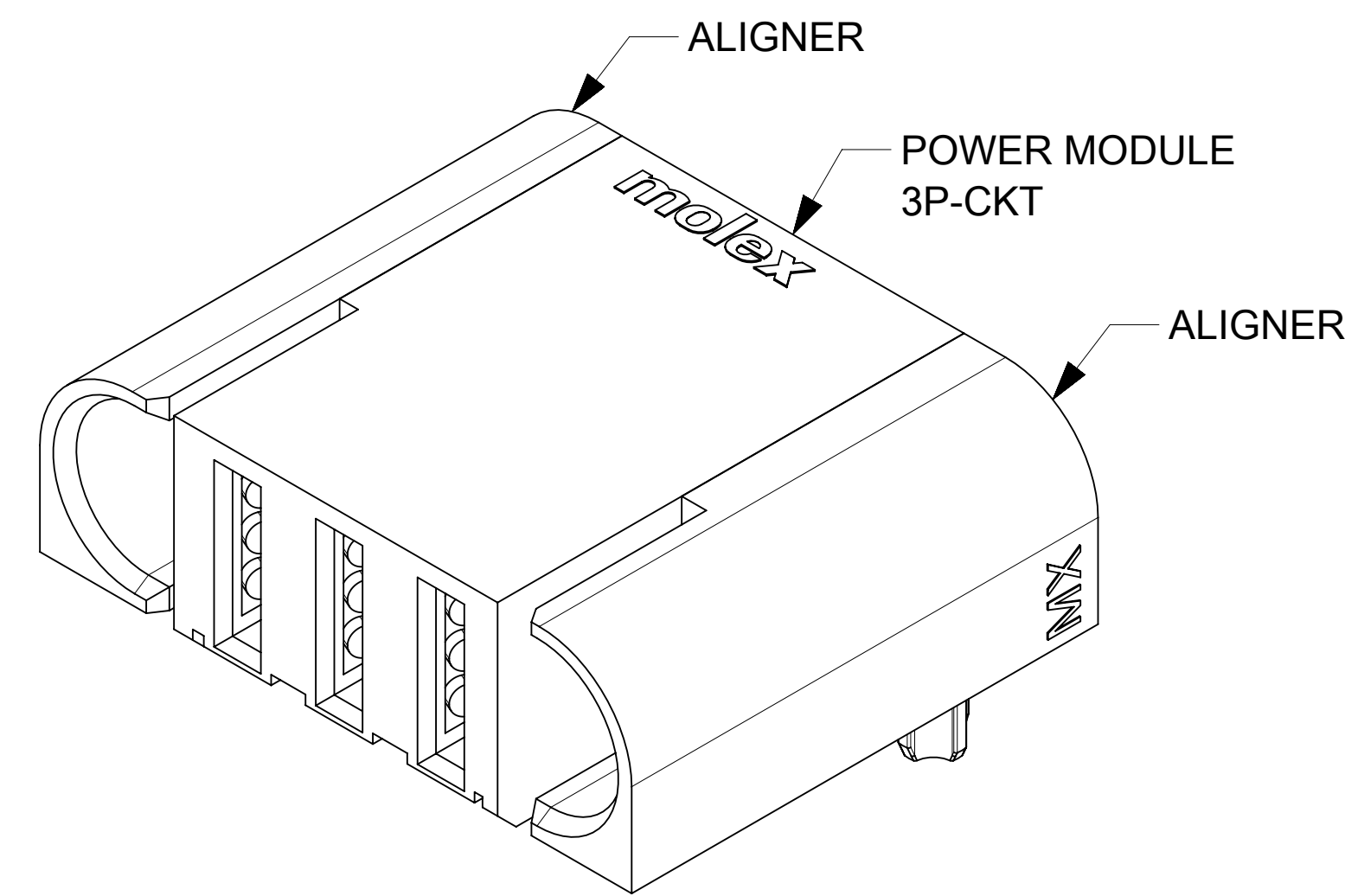
| FG P/N    | CONFIGURATION | POWER CKT SIZE | DIM "A" (IN MM) | DIM "B" (IN MM) | DIM "X" (IN MM) | HOLES COUNT "H1" | MATES WITH R/A PLUG ASSY P/N |
|-----------|---------------|----------------|-----------------|-----------------|-----------------|------------------|------------------------------|
| 464369301 | G-1P-G        | 1              | 21.00           | 22.00           | 8.50            | 10               | 464379301                    |
| 464369302 | G-2P-G        | 2              | 26.50           | 27.50           | 14.00           | 20               | 464379302                    |
| 464369303 | G-3P-G        | 3              | 32.00           | 33.00           | 19.50           | 30               | 464379303                    |
| 464369304 | G-4P-G        | 4              | 37.50           | 38.50           | 25.00           | 40               | 464379304                    |
| 464369305 | G-5P-G        | 5              | 43.00           | 44.00           | 30.50           | 50               | 464379305                    |
| 464369306 | G-6P-G        | 6              | 48.50           | 49.50           | 36.00           | 60               | 464379306                    |
| 464369307 | G-7P-G        | 7              | 54.00           | 55.00           | 41.50           | 70               | 464379307                    |
| 464369308 | G-8P-G        | 8              | 59.50           | 60.50           | 47.00           | 80               | 464379308                    |
| 464369309 | G-9P-G        | 9              | 65.00           | 66.00           | 52.50           | 90               | 464379309                    |
| 464369310 | G-10P-G       | 10             | 70.50           | 71.50           | 58.00           | 100              | 464379310                    |



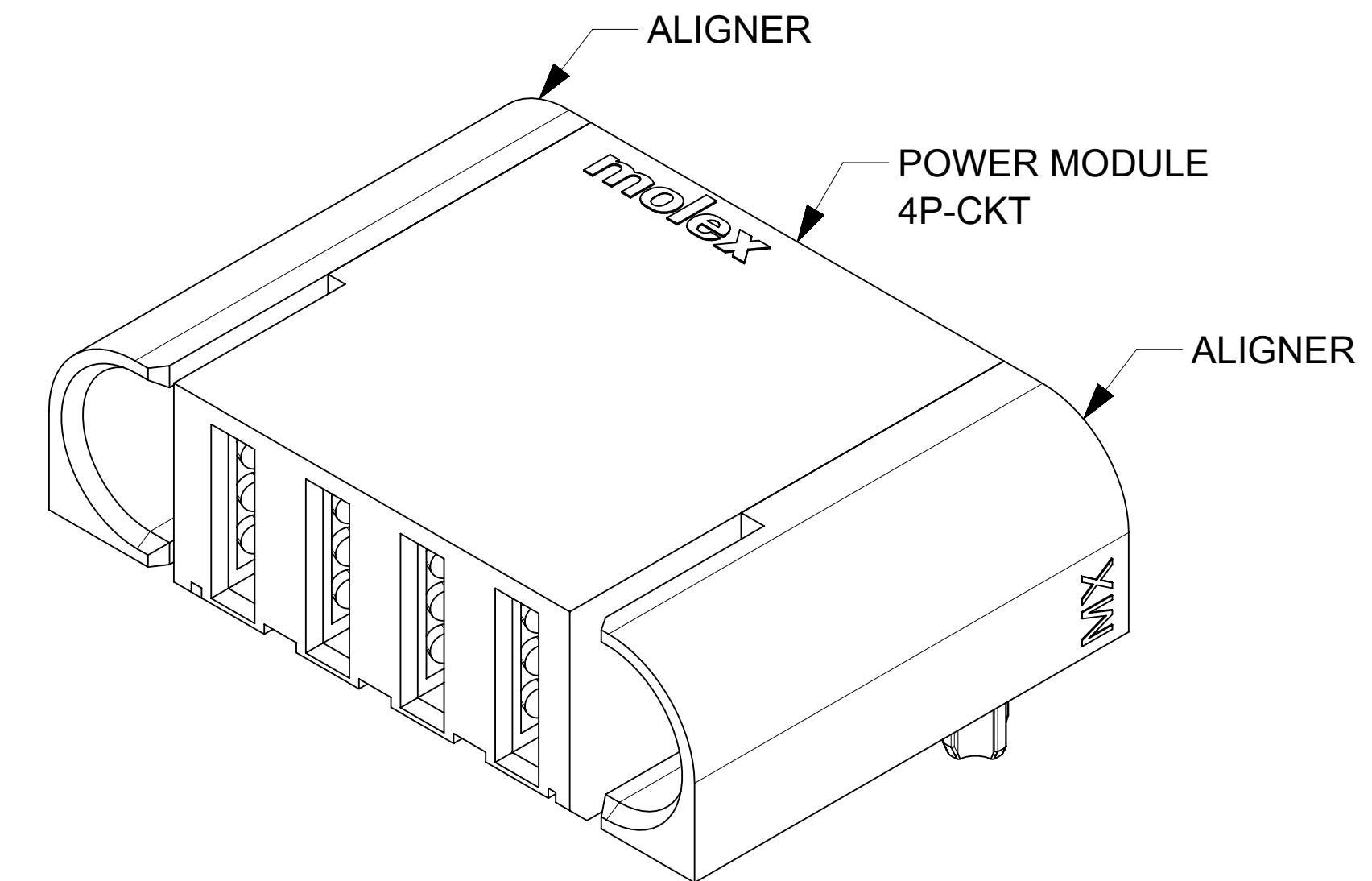
P/N : 46436-9301 (G-1P-G)



P/N : 46436-9302 (G-2P-G)

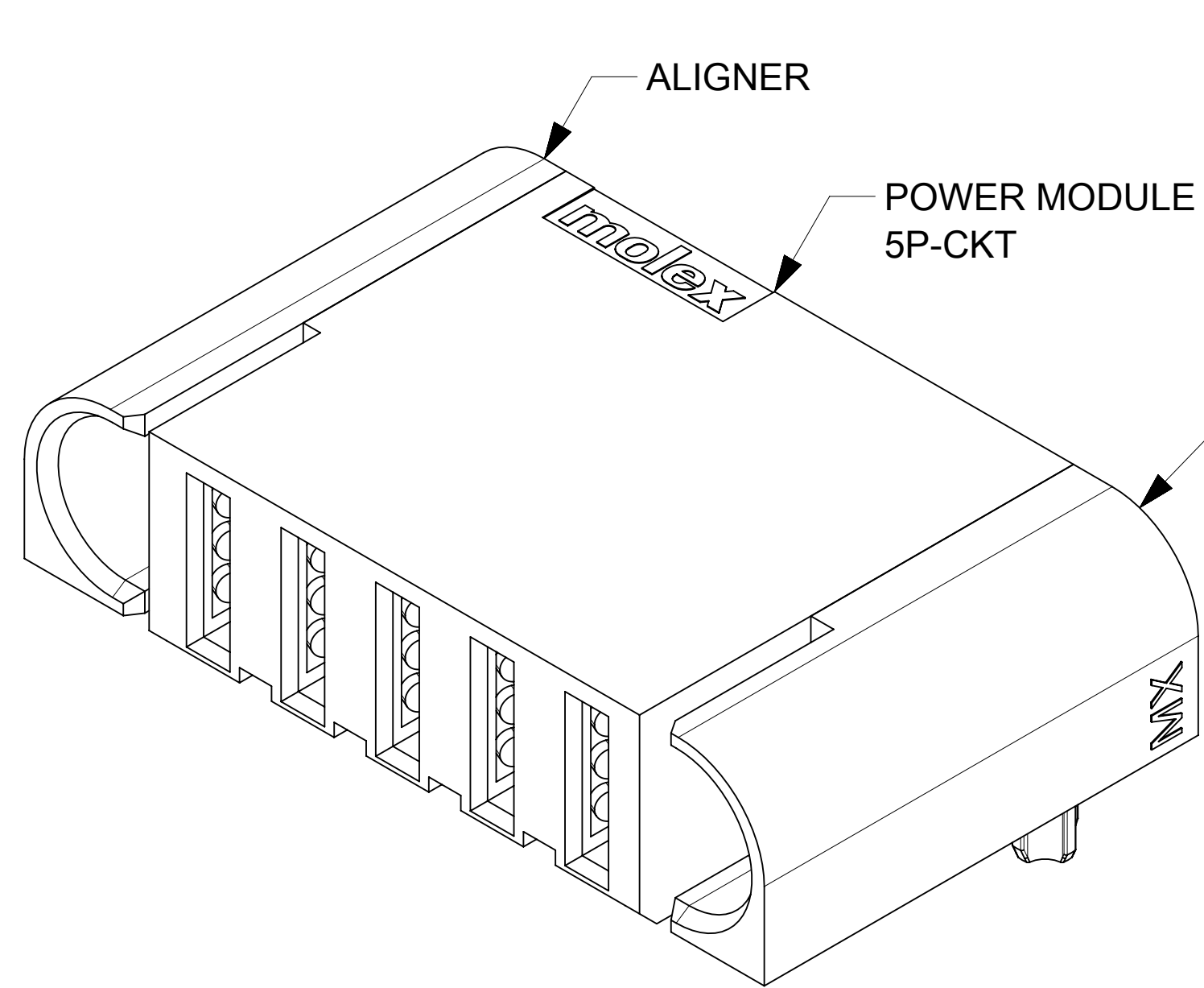


P/N : 46436-9303 (G-3P-G)

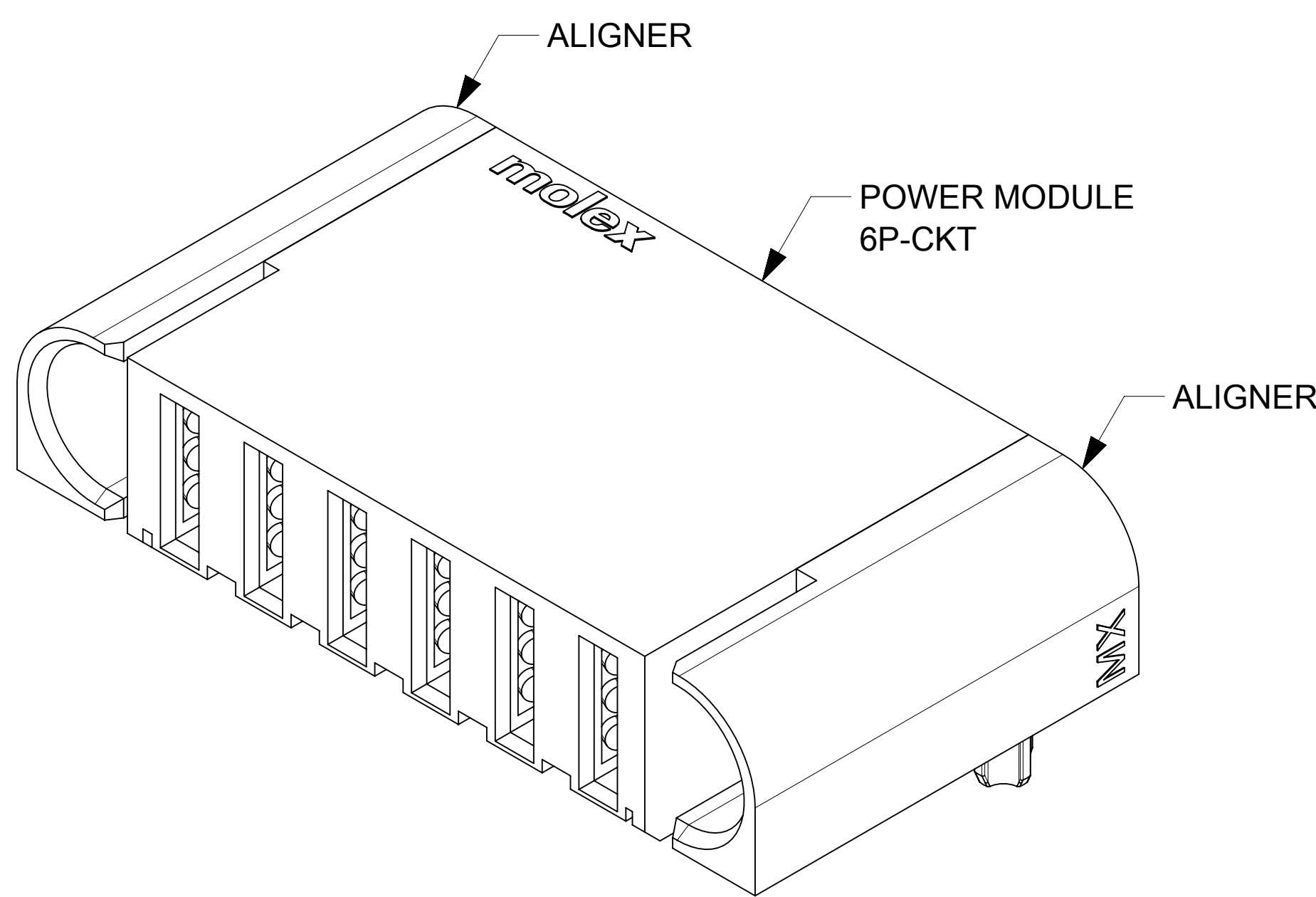


P/N : 46436-9304 (G-4P-G)

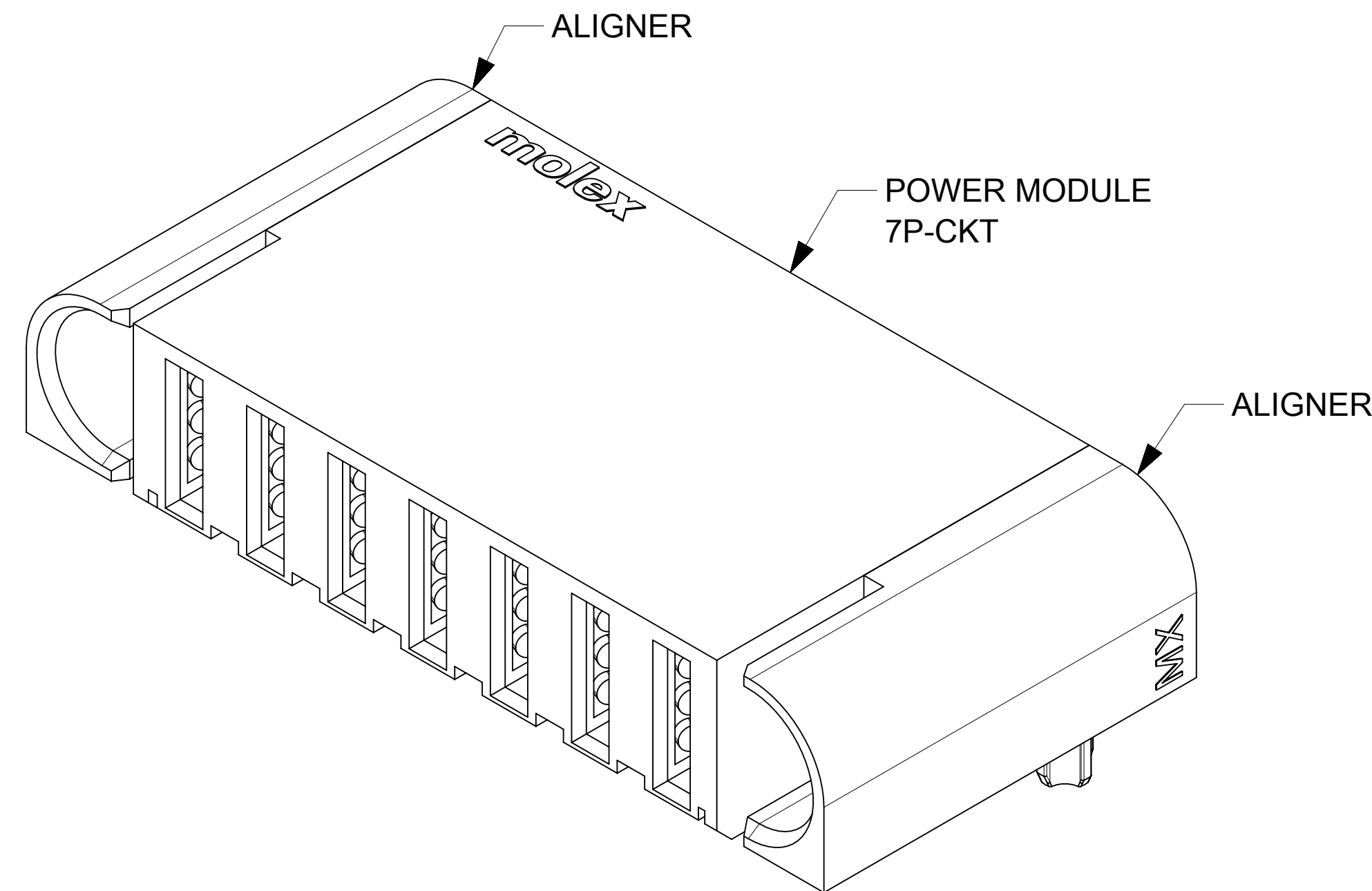
|   |  |       |  |   |  |            |  |   |  |                |          |          |
|---|--|-------|--|---|--|------------|--|---|--|----------------|----------|----------|
| THIS DRAWING CONTAINS INFORMATION THAT IS PROPRIETARY TO MOLEX ELECTRONIC TECHNOLOGIES, LLC AND SHOULD NOT BE USED WITHOUT WRITTEN PERMISSION |  |       |  |   |  |            |  |   |  |                |          |          |
| DIMENSION UNITS   |  | SCALE |  | CURRENT REV DESC: ADDED ISOMETRIC VIEWS |  |            |  |   |  |                |          |          |
| mm  |  | 4:1   |  |   |  |            |  |   |  |                |          |          |
| GENERAL TOLERANCES (UNLESS SPECIFIED)   |  |       |  | EC NO: 689821                           |  |            |  |   |  |                |          |          |
| ANGULAR TOL ± 0.5°  |  |       |  | DRWN: HARSHG                            |  | 2021/12/13 |  | G-*P-G<br>R/A RECEP ASSY - TEN60 POWER FAMILY |  |                |          |          |
| 4 PLACES ±  |  |       |  | CHK'D: GJEEVANSURES                     |  | 2021/12/22 |  |   |  |                |          |          |
| 3 PLACES ±  |  |       |  | APPR: HTHYAGARAJ                        |  | 2022/02/14 |  | PRODUCT CUSTOMER DRAWING                      |  |                |          |          |
| 2 PLACES ± 0.13   |  |       |  | INITIAL REVISION:                       |  |            |  | DOCUMENT NUMBER                               |  | DOC TYPE       | DOC PART | REVISION |
| 1 PLACE ± 0.25  |  |       |  | DRWN: KSUTAR                            |  | 2021/08/17 |  | 464369310                                     |  | PSD            | 000      | A1       |
| 0 PLACES ±  |  |       |  | APPR: HTHYAGARAJ                        |  | 2021/10/21 |  |   |  |                |          |          |
| DRAFT WHERE APPLICABLE MUST REMAIN WITHIN DIMENSIONS  |  |       |  | THIRD ANGLE PROJECTION                  |  | DRAWING    |  | SERIES  |  | SHEET NUMBER   |          |          |
|   |  |       |  |   |  | D-SIZE     |  | 46436   |  | 2 OF 3         |          |          |
|   |  |       |  |   |  |            |  | SEE TABLE                                     |  | GENERAL MARKET |          |          |



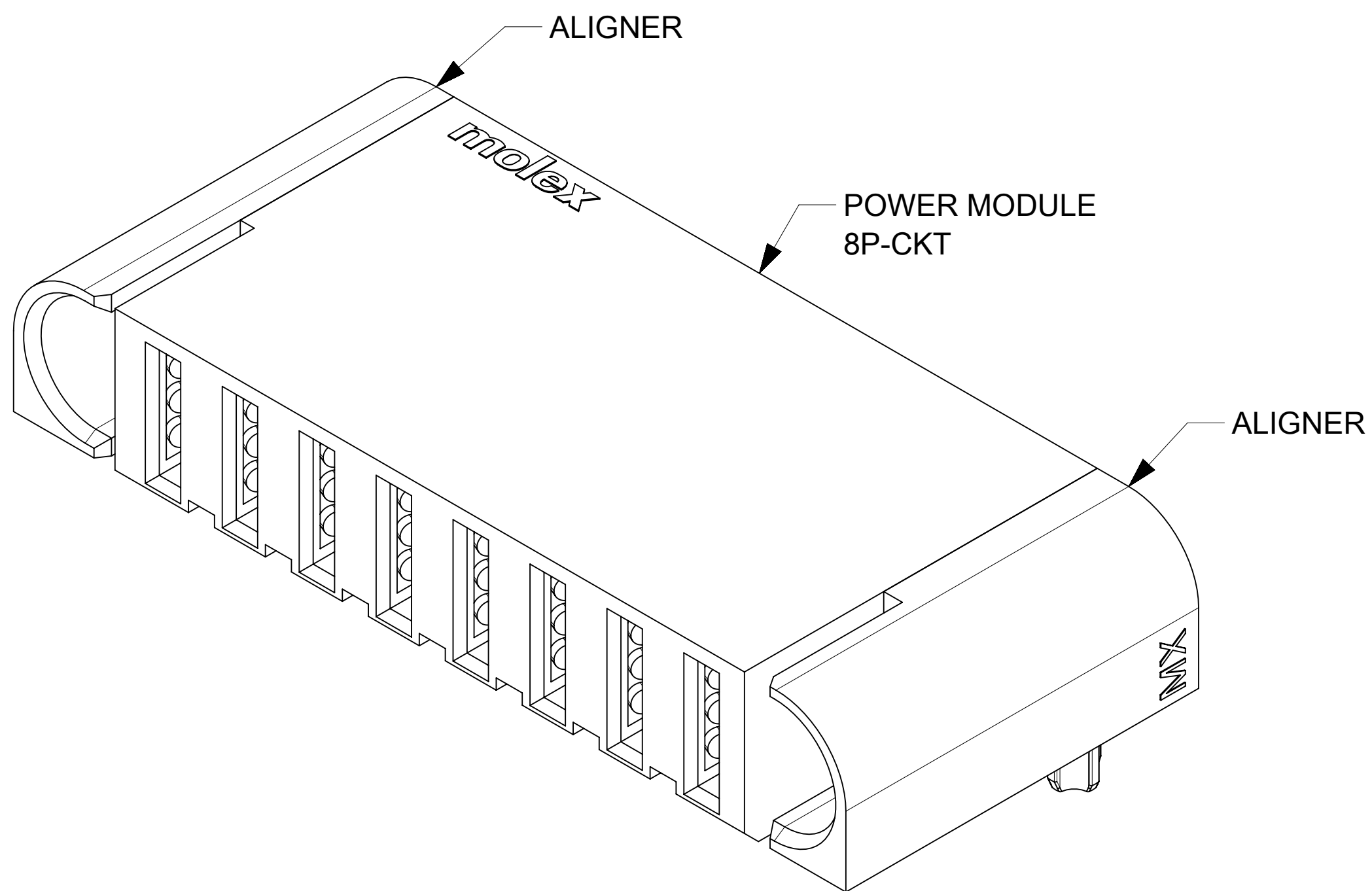
P/N : 46436-9305 (G-5P-G)



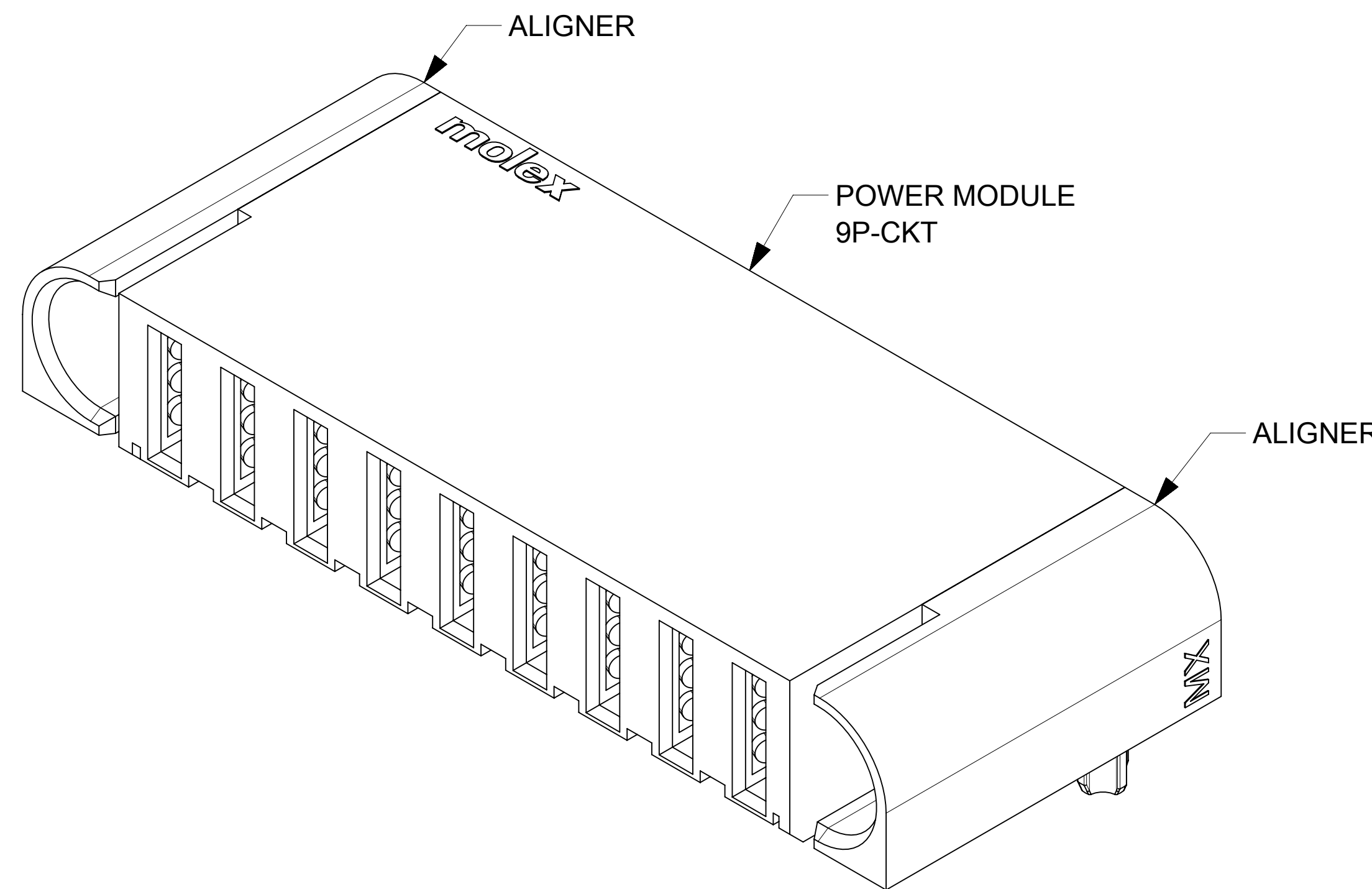
P/N : 46436-9306 (G-6P-G)



P/N : 46436-9307 (G-7P-G)



P/N : 46436-9308 (G-8P-G)



P/N : 46436-9309 (G-9P-G)

|   |  |                                   |  |  |  |                 |  |                |  |              |  |
|---|--|-----------------------------------|--|--|--|-----------------|--|----------------|--|--------------|--|
| THIS DRAWING CONTAINS INFORMATION THAT IS PROPRIETARY TO MOLEX ELECTRONIC TECHNOLOGIES, LLC AND SHOULD NOT BE USED WITHOUT WRITTEN PERMISSION |  |                                   |  |  |  |                 |  |                |  |              |  |
| DIMENSION UNITS   |  | SCALE                             |  | CURRENT REV DESC: ADDED ISOMETRIC VIEWS  |  |                 |  |                |  |              |  |
| mm  |  | 4:1                               |  | <p><b>molex</b></p> <p>G-*P-G<br/>R/A RECEP ASSY - TEN60 POWER FAMILY</p> <p>PRODUCT CUSTOMER DRAWING</p> <p>DOCUMENT NUMBER: <b>464369310</b>    DOC TYPE: PSD    DOC PART: 000    REVISION: A1</p> <p>MATERIAL NUMBER: SEE TABLE    CUSTOMER: GENERAL MARKET    SHEET NUMBER: 3 OF 3</p> |  |                 |  |                |  |              |  |
| GENERAL TOLERANCES (UNLESS SPECIFIED)   |  |                                   |  |  |  |                 |  |                |  |              |  |
| ANGULAR TOL ± 0.5°  |  |                                   |  |  |  |                 |  |                |  |              |  |
| 4 PLACES ±  |  | EC NO: 689821                     |  |  |  |                 |  |                |  |              |  |
| 3 PLACES ±  |  | DRWN: HARSHG    2021/12/13        |  |  |  |                 |  |                |  |              |  |
| 2 PLACES ± 0.13   |  | CHK'D: GJEEVANSURES    2021/12/22 |  |  |  |                 |  |                |  |              |  |
| 1 PLACE ± 0.25  |  | APPR: HTHYAGARAJ    2022/02/14    |  |  |  |                 |  |                |  |              |  |
| 0 PLACES ±  |  | INITIAL REVISION:                 |  |  |  |                 |  |                |  |              |  |
| DRAFT WHERE APPLICABLE  |  | DRWN: KSUTAR    2021/08/17        |  |  |  |                 |  |                |  |              |  |
| MUST REMAIN WITHIN DIMENSIONS   |  | APPR: HTHYAGARAJ    2021/10/21    |  |  |  |                 |  |                |  |              |  |
| THIRD ANGLE PROJECTION  |  | DRAWING                           |  | SERIES   |  | MATERIAL NUMBER |  | CUSTOMER       |  | SHEET NUMBER |  |
| D   |  | D-SIZE                            |  | 46436  |  | SEE TABLE       |  | GENERAL MARKET |  | 3 OF 3       |  |