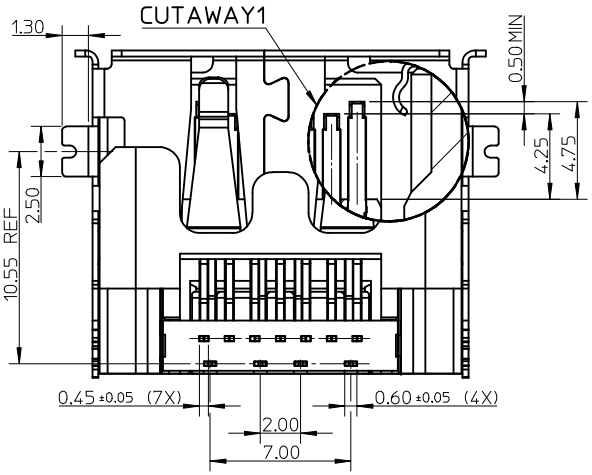
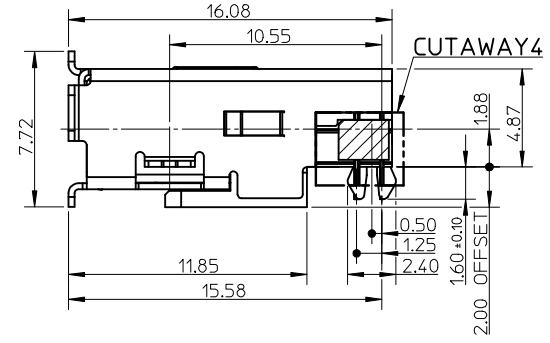
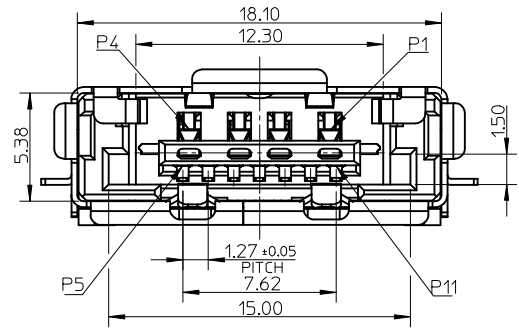
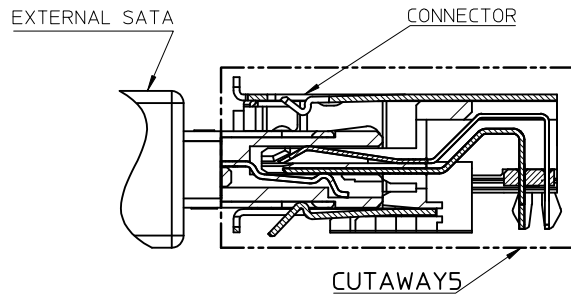


NOTES:
 1. MATERIAL:
 HOUSING: HIGH TEMPERATURE THERMOPLASTIC, 30% GLASS FILLED, BLACK, UL94V-0.
 TERMINAL-1: COPPER ALLOY.
 TERMINAL-2: COPPER ALLOY.
 METAL SHELL: COPPER ALLOY.
 2. TERMINAL PLATING:
 CONTACT AREA: GOLD PLATING.
 SOLDER AREA: TIN PLATING, 2.0 MICROMETERS MINIMUM.
 UNDER PLATING: NICKEL PLATING, 2.0 MICROMETERS MINIMUM.
 3. METAL SHELL PLATING: SOLDERABLE NICKEL PLATING.
 4. PRODUCT SPECIFICATION: PS-47403-001.
 5. PACKAGE SPECIFICATION: PK-47403-008.
 6. PRODUCT COMPLIANT TO RoSH DIRECTIVE 2002/95/EC AND ELV DIRECTIVE 2000/53/EC.

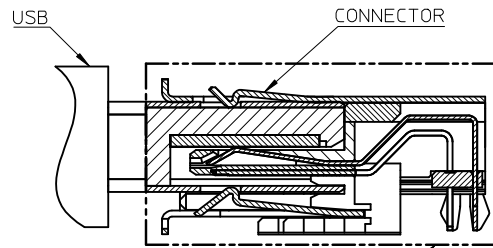


P/N	GOLD PLATING SPEC
47403-8000	GOLD FLASH
47403-8001	15u" MINIMUM
47403-8002	30u" MINIMUM

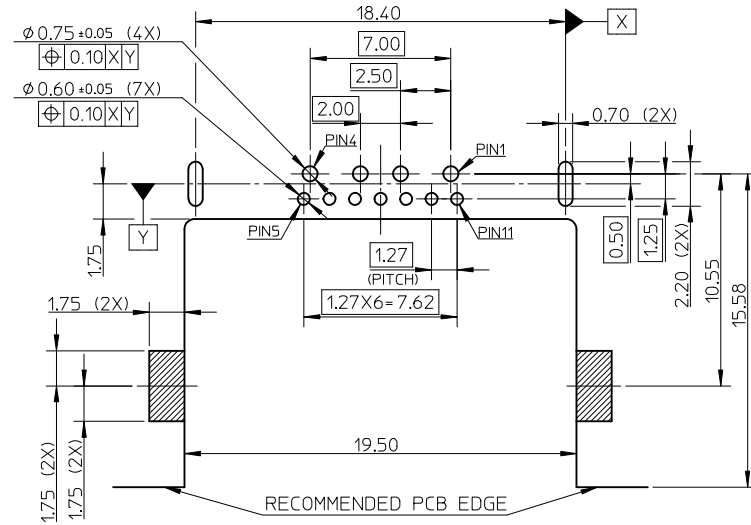
NEW RELEASE EC NO: SH2009-0550 DRWN: XZZHANG 2009/02/18 CHKD: XJ SONG 2009/02/18 APPR: HWANG 2009/03/25	QUALITY SYMBOLS ▽=0 ◻=0	GENERAL TOLERANCES (UNLESS SPECIFIED) mm INCH 4 PLACES ± --- ± --- 3 PLACES ± --- ± --- 2 PLACES ± 0.25 ± --- 1 PLACE ± 0.25 ± --- ANGULAR ± 3°	DIMENSION STYLE MM ONLY DRAWN BY: HZHA006 DATE: 2007/12/18 CHECKED BY: JTIAN DATE: 2007/12/18 APPROVED BY: HWANG DATE: 2007/12/18 MATERIAL NO.	SCALE: 1:1 DESIGN UNITS: METRIC THIRD ANGLE PROJECTION	TITLE: SALES DRAWING FOR COMBO OF EXTERNAL SATA AND USB REVERSE TYPE MOLEX INCORPORATED DOCUMENT NO. SD-47403-800 SHEET NO. 1 OF 2	
	DRAFT WHERE APPLICABLE MUST REMAIN WITHIN DIMENSIONS	SEE CHART	THIS DRAWING CONTAINS INFORMATION THAT IS PROPRIETARY TO MOLEX INCORPORATED AND SHOULD NOT BE USED WITHOUT WRITTEN PERMISSION			
	REV: A	SIZE: A3				



MATING WITH EXTERNAL SATA



MATING WITH USB



RECOMMENDED PCB LAYOUT T=1.2MM
CONNECTOR SIDE; TOLERANCE: +7-0.05

PIN ASSIGNMENT

USB		I/O SATA	
NAME	TYPE	NAME	TYPE
P1	VBUS	P5	GND
P2	D-	P6	A+
P3	D+	P7	A-
P4	GND	P8	GND
		P9	B-
		P10	B+
		P11	GND

NEW RELEASE
EC NO: SH2009-0550
DRWN: QZHUANG 2009/02/18
CHKD: XJISONG 2009/07/18
APPR: HWANG 2009/03/25

QUALITY SYMBOLS

GENERAL TOLERANCES (UNLESS SPECIFIED)

	mm	INCH
4 PLACES	± ---	± ---
3 PLACES	± ---	± ---
2 PLACES	± 0.25	± ---
1 PLACE	± 0.25	± ---

ANGULAR ± 3 °

DRAFT WHERE APPLICABLE
MUST REMAIN WITHIN DIMENSIONS

DIMENSION STYLE
MM ONLY

DRAWN BY: HZHA006
DATE: 2007/12/18

CHECKED BY: JTIAN
DATE: 2007/12/18

APPROVED BY: HWANG
DATE: 2007/12/18

MATERIAL NO.
SEE SHEET 1

SCALE: 1:1
DESIGN UNITS: METRIC
THIRD ANGLE PROJECTION

TITLE: **SALES DRAWING FOR COMBO OF EXTERNAL SATA AND USB REVERSE TYPE**

MOLEX INCORPORATED

DOCUMENT NO.: **SD-47403-800**

SHEET NO.: **2 OF 2**

THIS DRAWING CONTAINS INFORMATION THAT IS PROPRIETARY TO MOLEX INCORPORATED AND SHOULD NOT BE USED WITHOUT WRITTEN PERMISSION