

PLEASE CHECK WWW.MOLEX.COM FOR LATEST PART INFORMATION

Part Number: [0622018737](#)
Status: **Active**
Overview: [Application Tooling](#)
Description: Press-In Tool for 12.5 Gbps Coplanar

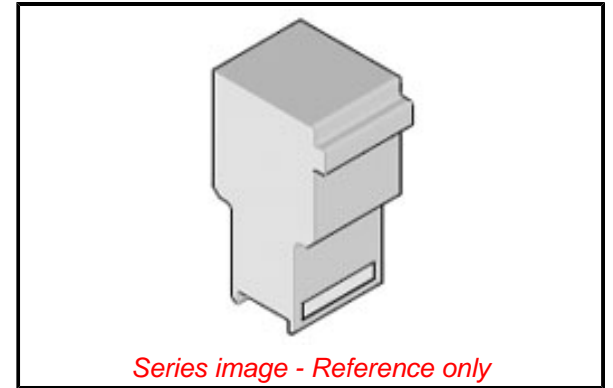
Documents:
[RoHS Certificate of Compliance \(PDF\)](#)

General

Product Family	Application Tooling
Series	207123
Comments	See Tooling Specification (PDF) Above. Type: PRESS BLK, See Tooling Specification (PDF) Above. Type: PRESS BLK
Function	Crimp
Geographic Area	Global
Level of Automation	Semi-Automatic
More Detailed Tech Information	applicationtooling@molex.com
Overview	Application Tooling
Product Name	PremiumGrade
Tool Type	Press-Fit Insertion Tool
UPC	883906940713
Warranty Disclaimer	CAUTION: Molex tooling crimp specifications are valid only when used with Molex terminals and tooling manufactured by Molex and sold by Molex or authorized distributors ("Molex Tooling"). When using tooling other than Molex Tooling with Molex specific connector systems listed in our ATS documents, the Molex tooling qualification does not apply and the responsibility for full qualification of the connector system is that of the customer. Molex accepts no liability for connector performance or tooling support where tooling other than Molex Tooling is used or where Molex Tooling is modified.

Material Info

Reference - Drawing Numbers
[Application Tooling Documents](#) [ATS-622018737](#)



EU ELV

Not Reviewed

EU RoHS

Not Reviewed

REACH SVHC

Not Reviewed

Halogen-Free

Status

Not Reviewed

For more information, please visit [Contact US](#)

China ROHS

Not Reviewed

ELV

Not Reviewed

RoHS Phthalates

Not Reviewed

Search Parts in this Series

[207123 Series](#)

Use With

[76693 EdgeLine 12.5 Gbps Edge Card Connector](#)

Application Tooling

FAQ

Description

Product #

EdgeLine Vertical Connector, 12.5

Gbps, 0.80mm

Pitch, 2.36mm PCB

Thickness, 1 Bay,

170 Circuits

EdgeLine Vertical Connector, 12.5

Gbps, 0.80mm

Pitch, 2.36mm PCB

Thickness, 1 Bay,

200 Circuits

EdgeLine Vertical Connector, 12.5

Gbps, 0.80mm

Pitch, 2.36mm PCB

Thickness, 2 Bays,

278 Circuits

EdgeLine Vertical 1706722294
Connector, 12.5
Gbps, 0.80mm
Pitch, 2.36mm PCB
Thickness, 2 Bays,
294 Circuits
EdgeLine Vertical 766931170
Connector, 12.5
Gbps, 0.80mm
Pitch, 2.36mm PCB
Thickness, 170
Circuits

This document was generated on 03/28/2019

PLEASE CHECK WWW.MOLEX.COM FOR LATEST PART INFORMATION