

PLEASE CHECK WWW.MOLEX.COM FOR LATEST PART INFORMATION

Part Number: [0639148000](#)
Status: **Active**
Overview: [Application Tooling](#)
Description: T2 Terminator for Mini-Fit Crimp Terminals, 18-24 AWG with Smaller Insulation ODs

Documents:

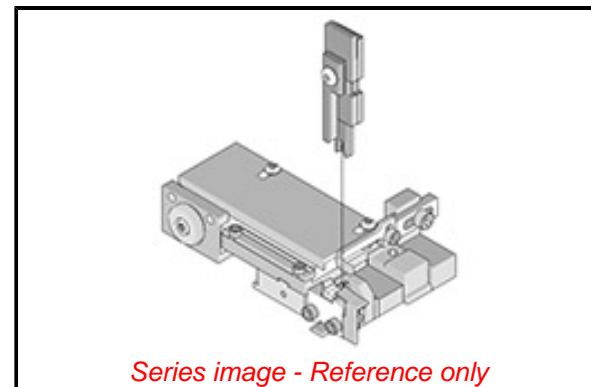
[RoHS Certificate of Compliance \(PDF\)](#)

General

Product Family	Application Tooling
Series	207122
Comments	See Tooling Specification (PDF) Above
Function	Crimp
Geographic Area	Global
Level of Automation	Semi-Automatic
More Detailed Tech Information	applicationtooling@molex.com
Overview	Application Tooling
Product Name	Mini-Fit, T2
Tool Type	Terminator Die
UPC	193264197651
Warranty Disclaimer	CAUTION: Molex tooling crimp specifications are valid only when used with Molex terminals and tooling manufactured by Molex and sold by Molex or authorized distributors ("Molex Tooling"). When using tooling other than Molex Tooling with Molex specific connector systems listed in our ATS documents, the Molex tooling qualification does not apply and the responsibility for full qualification of the connector system is that of the customer. Molex accepts no liability for connector performance or tooling support where tooling other than Molex Tooling is used or where Molex Tooling is modified.

Material Info

Reference - Drawing Numbers
Application Tooling Documents [639148000-000](#)



Series image - Reference only

EU ELV

Not Reviewed

EU RoHS

Not Reviewed

REACH SVHC

Not Reviewed

Halogen-Free

Status

Not Reviewed

For more information, please visit [Contact US](#)

China ROHS

Not Reviewed

ELV

Not Reviewed

RoHS Phthalates

Not Reviewed

Search Parts in this Series

[207122 Series](#)

Application Tooling | **FAQ**
Description | **Product #**

Mini-Fit Jr. Grounding Pin, 18-24 AWG, Reel, Phosphor Bronze, Tin or Select Gold (Au)	304901002
Mini-Fit Jr. Crimp Grounding Terminal, Male, with Tin (Sn) Plated Phosphor Bronze Contact, 18-24 AWG, Reel	304902002
Mini-Fit Female Crimp Terminal, Tin (Sn) over Copper (Cu) Plated Brass, 18-24, 22+22 AWG, Reel	39000038
Mini-Fit Male Crimp Terminal, Tin (Sn) over Copper (Cu) Plated Brass	39000040

Contact, 18-24,
22+22 AWG, Reel
Mini-Fit Female 39000059
Crimp Terminal, Tin
(Sn) over Phosphor
Bronze, 18-24, 22
+22 AWG, Reel
Mini-Fit Male Crimp 39000061
Terminal, Tin (Sn)
over Phosphor
Bronze, 18-24,
22+22 AWG, Reel
Mini-Fit Female 39000073
Crimp Terminal,
Selective Gold (Au)
and Selective Tin
(Sn) over Nickel (Ni),
18-24 AWG, Reel
Mini-Fit Male Crimp 39000075
Terminal, Brass,
Gold (Au) Contact
Plating, Lead-free,
18-24 AWG, Reel
Mini-Fit Male Crimp 39000120
Terminal, Tin
(Sn) Plated Brass
Contact, 18-24 AWG,
Reel
Mini-Fit Male Crimp 39000121
Terminal, Tin
(Sn) Plated Brass
Contact, 18-24 AWG,
Bag
Mini-Fit Male Crimp 39000126
Terminal, Tin (Sn),
Phosphor Bronze,
18-24 AWG, Reel
Mini-Fit Female 39000181
Crimp Terminal,
Selective Gold (Au)
over Phosphor
Bronze, 18-24 AWG,
Reel
Mini-Fit Female 39000207
Crimp Terminal, Tin
(Sn) over Nickel (Ni),
18-24 AWG, Reel
Mini-Fit Female 39000213
Crimp Terminal, Tin
(Sn) over Phosphor
Bronze, 18-24 AWG,
Reel
Mini-Fit Male Crimp 39000219
Terminal, Phosphor
Bronze, Gold (Au),
18-24 AWG, Reel
Mini-Fit Female 39000428
Crimp Terminal,
Selective Gold (Au)
and Selective Tin
(Sn) over Nickel (Ni),
18-24 AWG, Reel
Mini-Fit Male Crimp 39000430
Terminal, Brass,
Gold (Au) Contact

Plating, Lead-free,
18-24 AWG, Reel
Mini-Fit Plus Crimp 457501111
Terminal, 18-20
AWG, Reel, Copper
(Cu) Alloy, Tin (Sn)
Mini-Fit Plus Crimp 457501211
Terminal, 18-20
AWG, Reel, Copper
(Cu) Alloy, Gold (Au)
Selective
Mini-Fit Plus Crimp 460121141
Terminal, 18-20
AWG, Reel, Tin (Sn)
Plating
Mini-Fit Plus Crimp 460121241
Terminal, 18-20
AWG, Reel, 0.76µm
Selective Gold (Au)
Plating
Mini-Fit Plus High 460181541
Mating Cycle Female
Crimp Terminal,
18-20 AWG,
Reel, Select Gold
(Au) Plating with
Proprietary Molex
Advanced Contact
Surface Finish (CSF)
in Contact Area

This document was generated on 07/30/2021

PLEASE CHECK WWW.MOLEX.COM FOR LATEST PART INFORMATION