

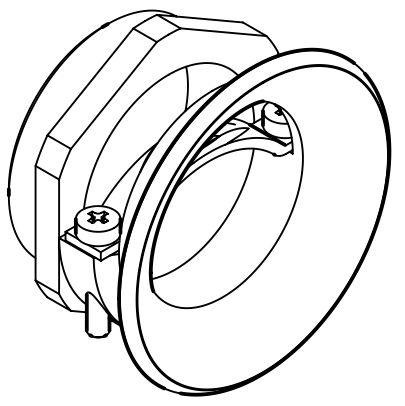
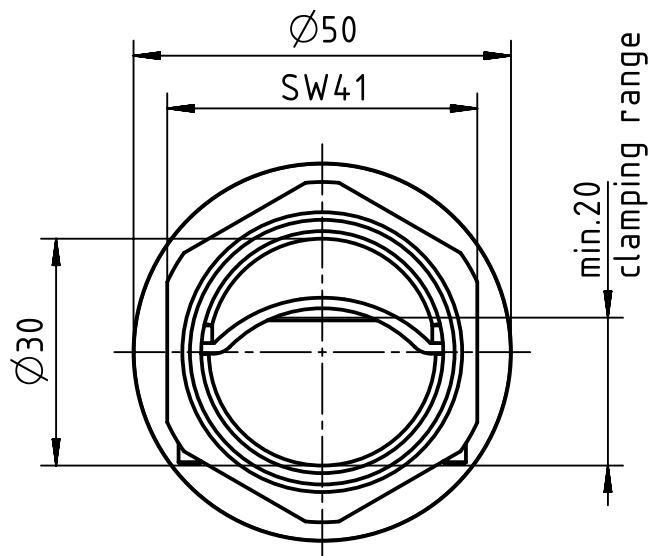
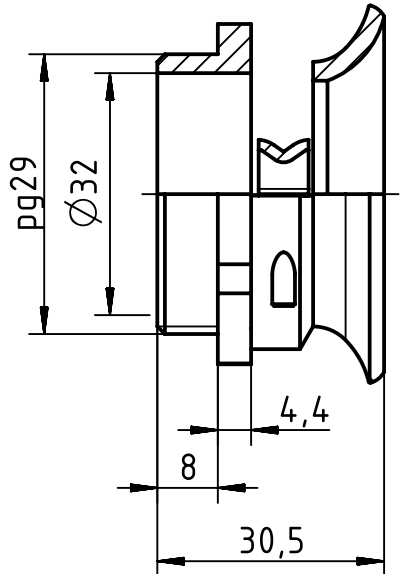
1 2 3 4 5 6

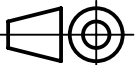

A

B

C

D



 All Dimensions in mm Original Size DIN A4	Scale	Free size tol.			Ref.
	1:1				Sub.
 All rights reserved Department EL PD - DE	Created by	Inspected by	Standardisation	Date	State
	MOOR	BERGHORN	TIEMANNA	2016-05-11	Final Release
HARTING Electric GmbH & Co. KG D-32339 Espelkamp	Title				Doc-Key / ECM-Nr.
	Acces. Cable Clamp Metal PG 29				100124842/UGD/003/A 500000104119
Type		Number		Rev.	Page
TB		09 37 000 5106		A	1/1