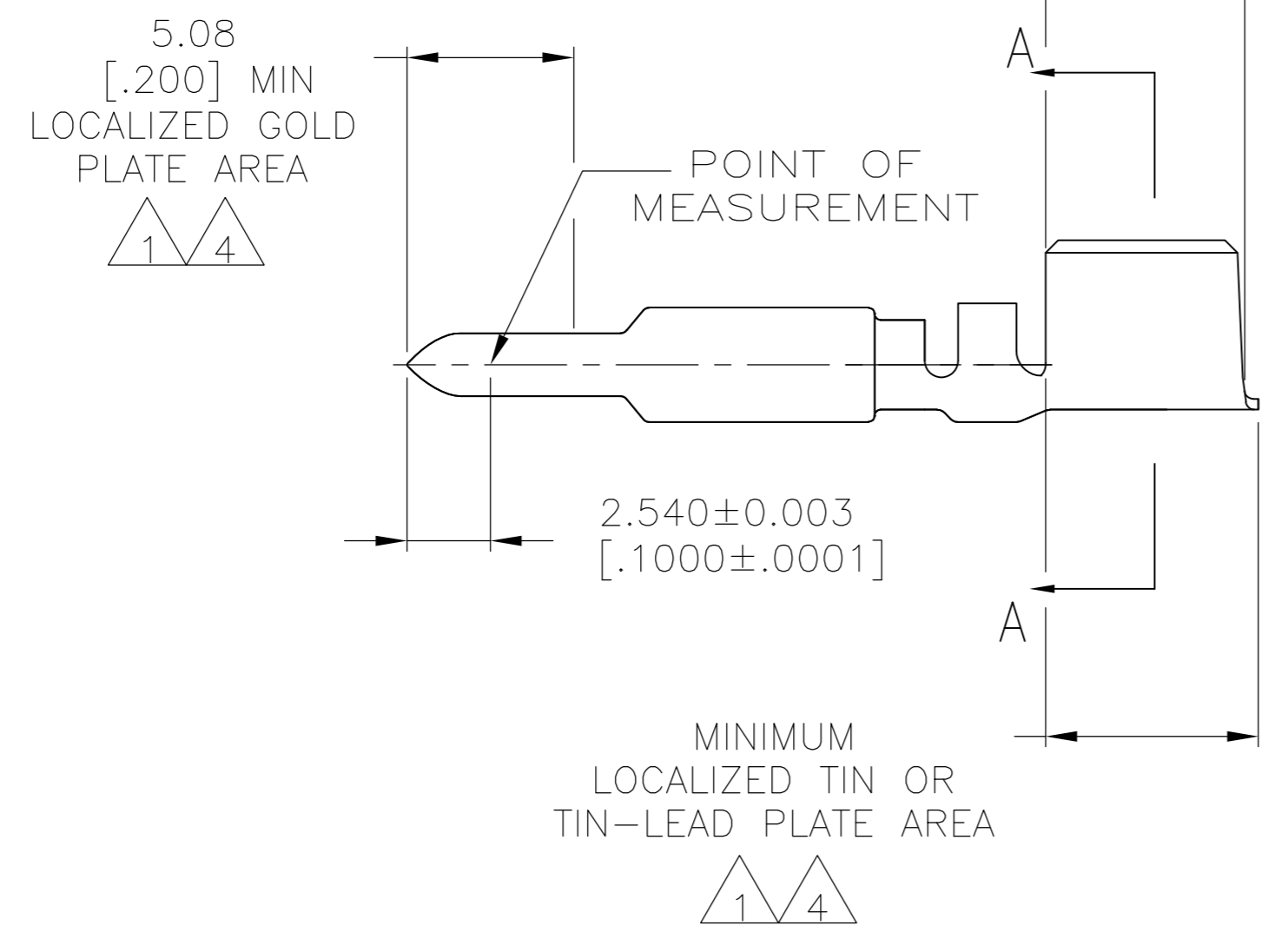
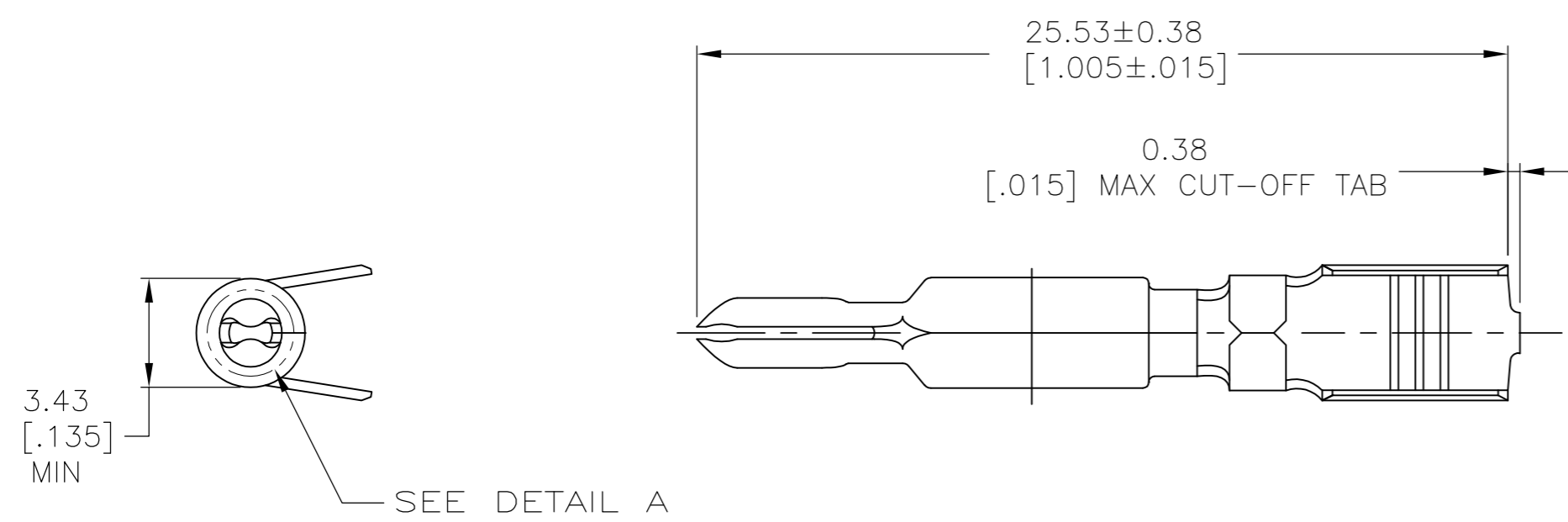


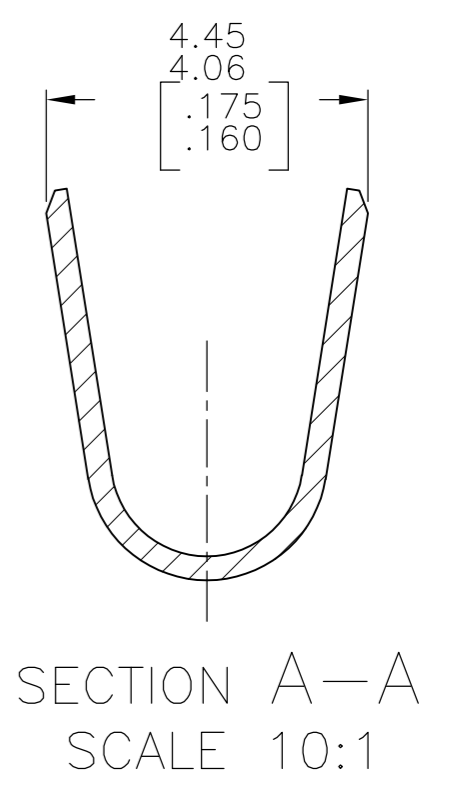
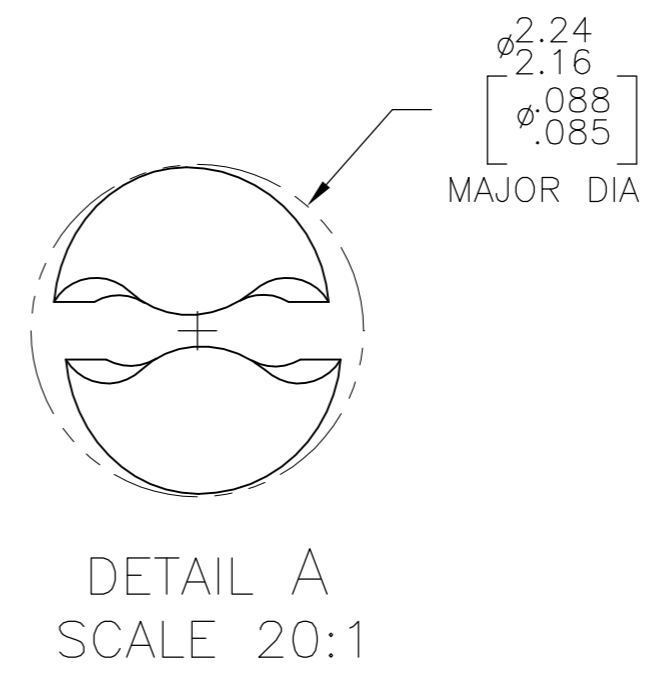
THIS DRAWING IS UNPUBLISHED. RELEASED FOR PUBLICATION  
 © COPYRIGHT - By - ALL RIGHTS RESERVED.

LOC		DIST		REVISIONS			
P	LTR	DESCRIPTION		DATE	DWN	APVD	
CM	00	J		REVISED PER ECR-13-008204	10DEC2013	KH	TM

- 1 0.00076[.000030] MIN GOLD AT POINT OF MEASUREMENT IN THE LOCALIZED GOLD PLATE AREA, 0.00127[.000050] MIN TIN-LEAD IN TIN-LEAD PLATE AREA, 0.00127[.000050] MIN NICKEL UNDERPLATE ON ENTIRE CONTACT.
- 2 WIRE RANGE: 3-6mm<sup>2</sup> [12-10 AWG].
- 3 DIMENSIONS IN BRACKETS ARE IN INCHES.
- 4 0.00076[.000030] MIN GOLD AT POINT OF MEASUREMENT IN THE LOCALIZED GOLD PLATE AREA, 0.00127[.000050] MIN. TIN IN TIN PLATE AREA, 0.00127[.000050] MIN. NICKEL UNDERPLATE ON ENTIRE CONTACT.
- 5 THIS CONTACT HAS NO INSULATION BARREL.
- 6 SUPERCEDED BY 1-770246-0.



6.10  
5.59  
[.240  
.220]



FINISH	MATERIAL	PART NUMBER
GOLD 4	0.30 [.012] PH BRZ	1-770246-0
GOLD 1	0.30 [.012] PH BRZ	<del>770246-4</del>
PRE-TIN	0.30 [.012] PH BRZ	770246-3

THIS DRAWING IS A CONTROLLED DOCUMENT.		DWN K. WHITAKER 02APR04	TE Connectivity	
DIMENSIONS: mm [INCHES]		CHK C.JONES 02APR04	NAME PIN, LOOSE PIECE, UNIVERSAL MATE-N-LOK(TM) II	
TOLERANCES UNLESS OTHERWISE SPECIFIED: 0 PLC ± - 1 PLC ± - 2 PLC ± - 3 PLC ± - 4 PLC ± - ANGLES ± -		APVD C.JONES 02APR04	DRAWING NO A2 00779 C=770246	
MATERIAL		APPLICATION SPEC	SIZE A2	RESTRICTED TO
FINISH		WEIGHT	CAGE CODE 00779	SHEET 1 of 1
		CUSTOMER DRAWING	SCALE 5:1	REV J