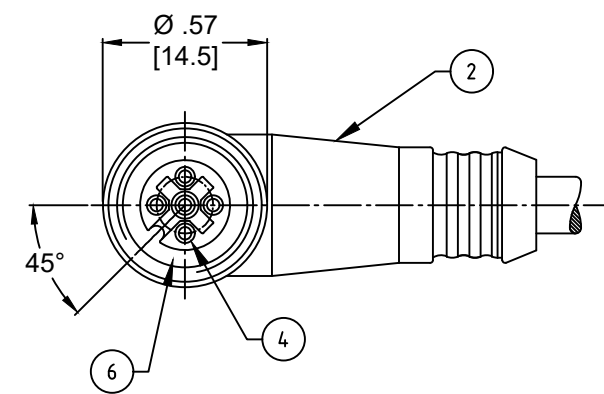
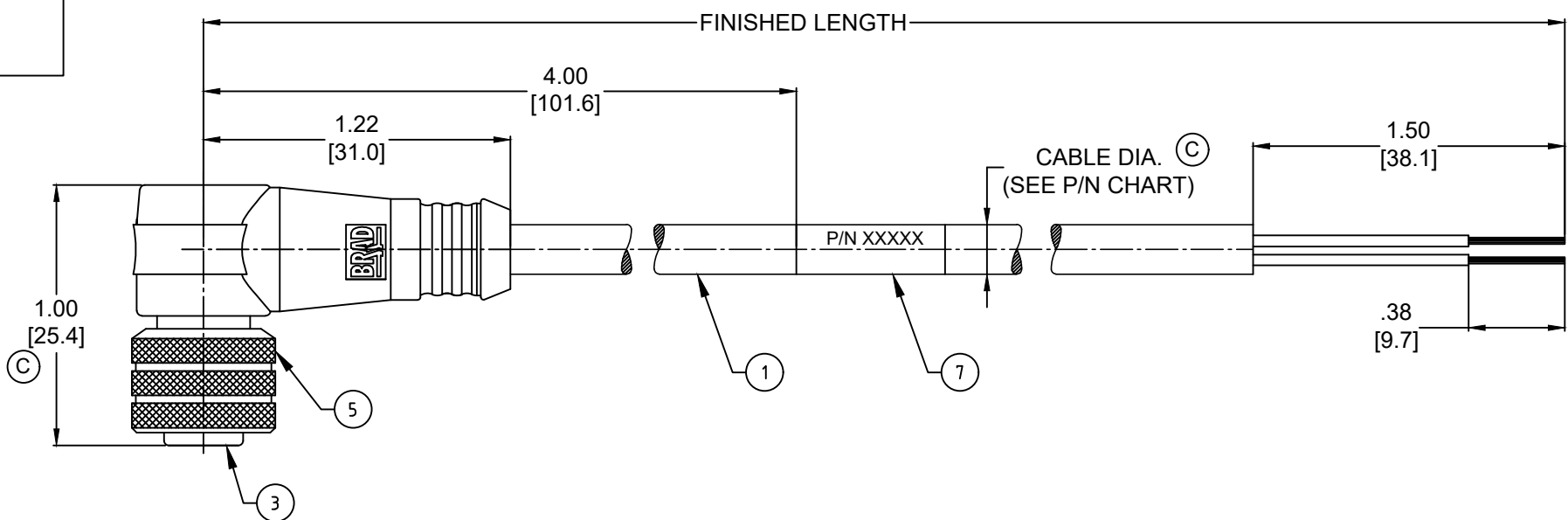


PART NO	ENGINEERING NO.	FINISHED LENGTH	POLES	CABLE DIA.
1200651443	803001A09M010	1M [3FT 3 IN]	3	.20 [5.1]
1200651567	804001A09M100	10M [32FT 9 IN]	4	.21 [5.4]
1200659216	805001A09M200	20M [65FT 7 IN]	5	.22 [5.6]



NOTES:

1. MATERIAL: AS NOTED
2. FINISH: AS NOTED
3. ELECTRICAL:
VOLTAGE: 250VAC/VDC
CURRENT: 4A
4. TEMP RATING: -20°TO +105°C
5. PROTECTION: IP67 (WHEN MATED)
6. COUPLING THREAD: M12X1
7. UL RECOGNIZED FILE: E152210
CSA CERTIFIED FILE: LR6837 (C)
8. ALL DIMENSIONS ARE FOR REFERENCE
UNLESS TOLERANCED OR NOTED OTHERWISE

PART NO. MATRIX
803001A09M010

POLES (3, 4 & 5)
FINISHED LENGTH
M005 = 0.5 METER
M010 = 1 METER
M100 = 10 METER

CABLE LENGTH TOLERANCES

<.3M [1FT]:	+19mm-0 [+1.75in-0]
.3 - .9M [1 - 3FT]:	+44.5mm-0 [+1.75in-0]
.9 - 1.8M [3 - 6FT]:	+55.6mm-0 [+2.19in-0]
1.8 - 3.7M [6 - 12FT]:	+88.9mm-0 [+3.50in-0]
3.7 - 7.3M [12 - 24FT]:	+165.1mm-0 [+6.50in-0]
7.3-14.6M [24 - 48FT]:	+317.5mm-0 [+12.50in-0]
14.6 - 30.5M [48-100FT]:	+622.3mm-0 [+24.50in-0]
OVER 30M [100FT]:	+2% OF FINISHED LENGTH

ITEM	DESCRIPTION	MATERIAL	FINISH
7	LABEL	VINYL	BLACK/YELLOW
6	O-RING	VITON	RED
5	COUPLER	BRASS	NICKEL PLATED
4	CONTACT SOCKET	COPPER ALLOY	GOLD OVER NICKEL
3	INSERT	PUR	BLACK
2	OVERMOLD	PUR	YELLOW
1	#22/3-5 CABLE	PVC JACKET	YELLOW

THIS DRAWING CONTAINS INFORMATION THAT IS PROPRIETARY TO MOLEX ELECTRONIC TECHNOLOGIES, LLC AND SHOULD NOT BE USED WITHOUT WRITTEN PERMISSION

FUNCTIONAL SYMBOLS FA=0 FB=0 FC=0	DIMENSION UNITS	SCALE	CURRENT REV DESC: ITEM #3 WAS NYLON & #7 WAS MYLAR. ADDED "CSA", CABLE DIA & TOL CHART. MODIFIED PN CHART & FACE VIEWS	 MICRO-CHANGE CORDSET, M12, 3-5 POLE, FEMALE 90DEG, SINGLE KEY, #22 AWG YELLOW PVC		
	INCH/MM	NTS				
DIVISIONAL SYMBOLS	GENERAL TOLERANCES (UNLESS SPECIFIED)		EC NO: 669893 DRWN: ABENJAMINLW 2021/03/18 CHK'D: RSTONE 2021/07/12 APPR: BWOODMAN 2021/07/14	PRODUCT CUSTOMER DRAWING		
	4 PLACES	±----		±----	DOCUMENT NUMBER	DOC TYPE
	3 PLACES	±----	±----	SD-120065-027	PSD	001
	2 PLACES	±----	±----	INITIAL REVISION:		
	1 PLACE	±----	±----	DRWN: LSTEMMLE 2010/01/13		
	0 PLACES	±----	±----	APPR: NSTAUDIG 2010/01/25		
	ANGULAR TOL ± ---- °			MATERIAL NUMBER	CUSTOMER	SHEET NUMBER
	DRAFT WHERE APPLICABLE MUST REMAIN WITHIN DIMENSIONS		THIRD ANGLE PROJECTION	A3-SIZE	120065	SEE CHART
				GENERAL MARKET		1 OF 1