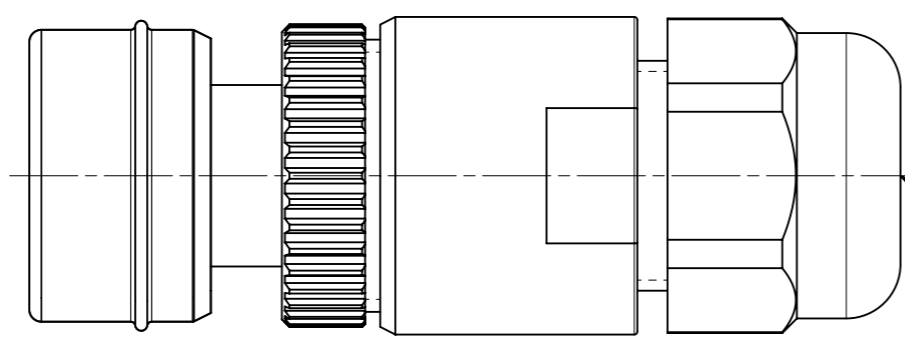
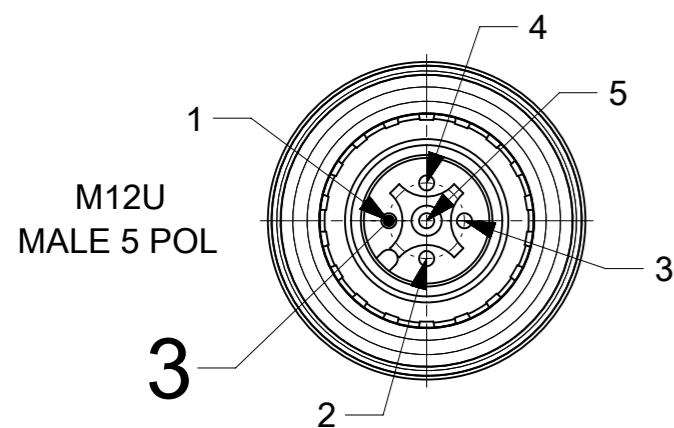
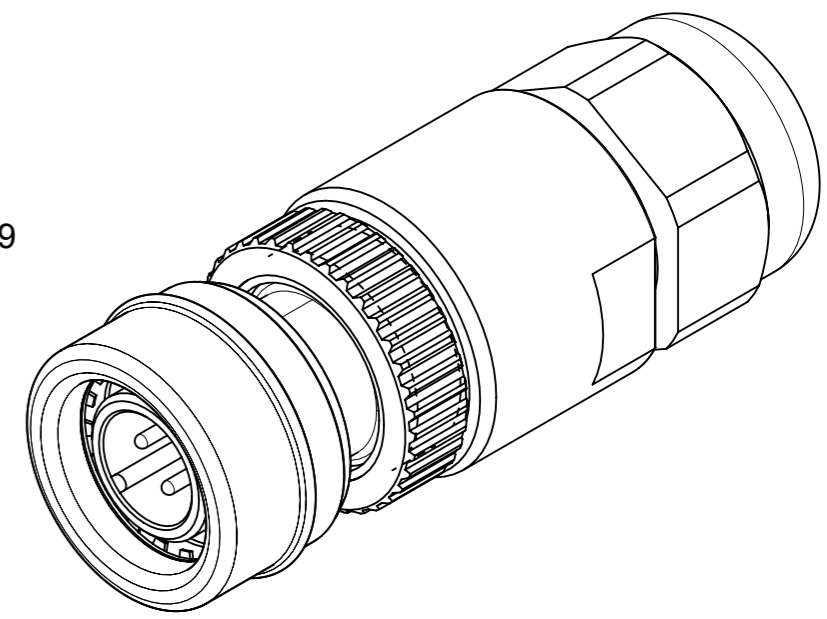
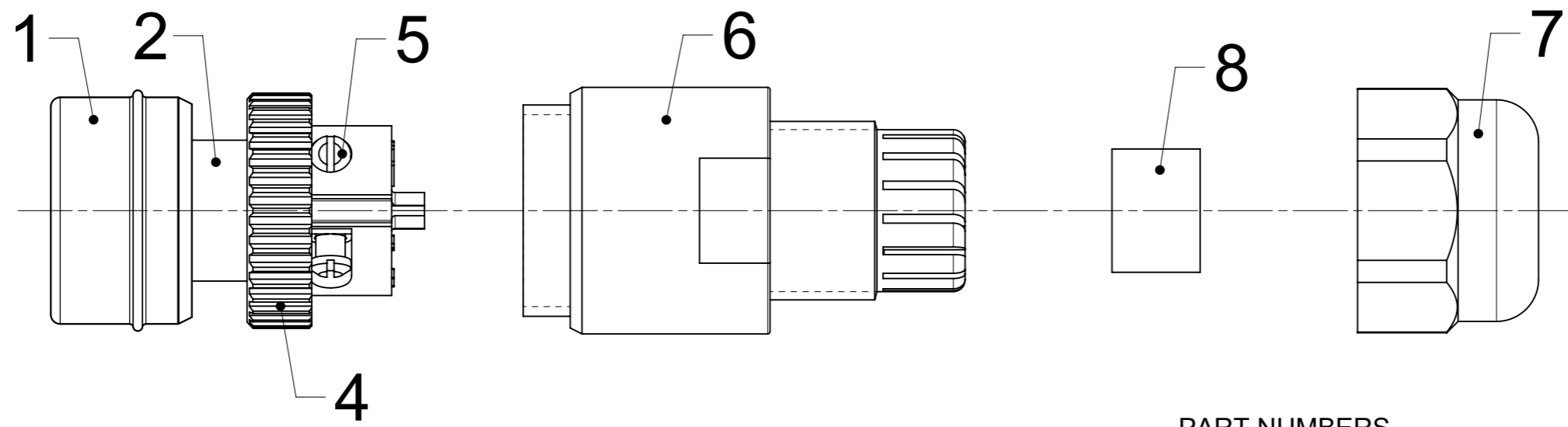


CABLE RANGE PG9
 $\varnothing3.5 - \varnothing8.0\text{mm}$



CABLE RANGE PG9
 $\varnothing3.5 - \varnothing8.0\text{mm}$



BILL OF MATERIAL

ITEM	QTY.	DESCRIPTION	MATERIAL	FINISH / COLOR
1	1	ULTRALOCK HEAD	V4A	-
2	1	INSERT	PA	BLACK
3	4/5	CONTACT	BRASS	CuNi3
4	1	LOCK RING	A3X2G5	-
5	4/5	SCREW	STEEL	-
6	1	ENDSLEEVE	A3XZG5	BLACK
7	1	HUT NUT	PA6	BLACK
8	1	GROMMET	NBR	BLACK

- NOTES:**
- VOLTAGE RATING: 4 POLE: 250 VAC/VDC
5 POLE: 30 VAC/36 VDC
 - AMPERAGE RATING: 4A
 - PROTECTION CLASS: IP 67/68/69K
 - OPERATING TEMPERATURE: -25°C / 90°C
 - UL CERTIFICATION: FILE NO. E152210
 - CSA CERTIFICATION: FILE NO. LR6837

PART NUMBERS

MOLEX PN	ENG. NUMBER	DESCRIPTION
1200850005	WA4006 - 32	M12U ATTACHABLE 4P MP ST
1200850006	WA5006 - 32	M12U ATTACHABLE 5P MP ST

FUNCTIONAL SYMBOLS $\nabla_A = 0$ $\nabla_E = 0$ $\nabla_V = 0$	THIS DRAWING CONTAINS INFORMATION THAT IS PROPRIETARY TO MOLEX ELECTRONIC TECHNOLOGIES, LLC AND SHOULD NOT BE USED WITHOUT WRITTEN PERMISSION	SCALE: 2:1		CURRENT REV DESC: NEW DRAWING SETUP IN NX / ADD NEW DEEP DRAWN UL SLEEVE 1203070660				
	GENERAL TOLERANCES (UNLESS SPECIFIED)			molex M12U ATTACHABLE XP MP ST				
	ANGULAR TOL ± 1.0°							
	DIVISIONAL SYMBOLS			EC NO: 704920 DRWN: FDAFERNER 2022/04/28 CHK'D: RSILLER 2022/04/28 APPR: RSILLER 2022/04/28	PRODUCT CUSTOMER DRAWING			
4 PLACES ± 3 PLACES ± 2 PLACES ± 0.05 1 PLACE ± 0.1 0 PLACES ± 1.0			INITIAL REVISION: DRWN: FDAFERNER 2021/07/15 APPR: RSILLER 2022/04/28			DOCUMENT NUMBER: 1200850005 DOC TYPE: PSD DOC PART: 000 REVISION: A		
DRAFT WHERE APPLICABLE MUST REMAIN WITHIN DIMENSIONS			THIRD ANGLE PROJECTION	DRAWING: A3-SIZE	SERIES: 120085	MATERIAL NUMBER: SEE TABLE	CUSTOMER: GENERAL MARKET	SHEET NUMBER: 1 OF 1