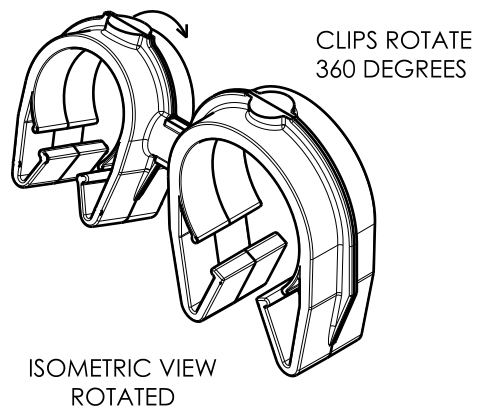
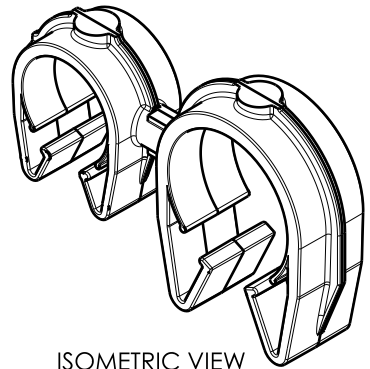
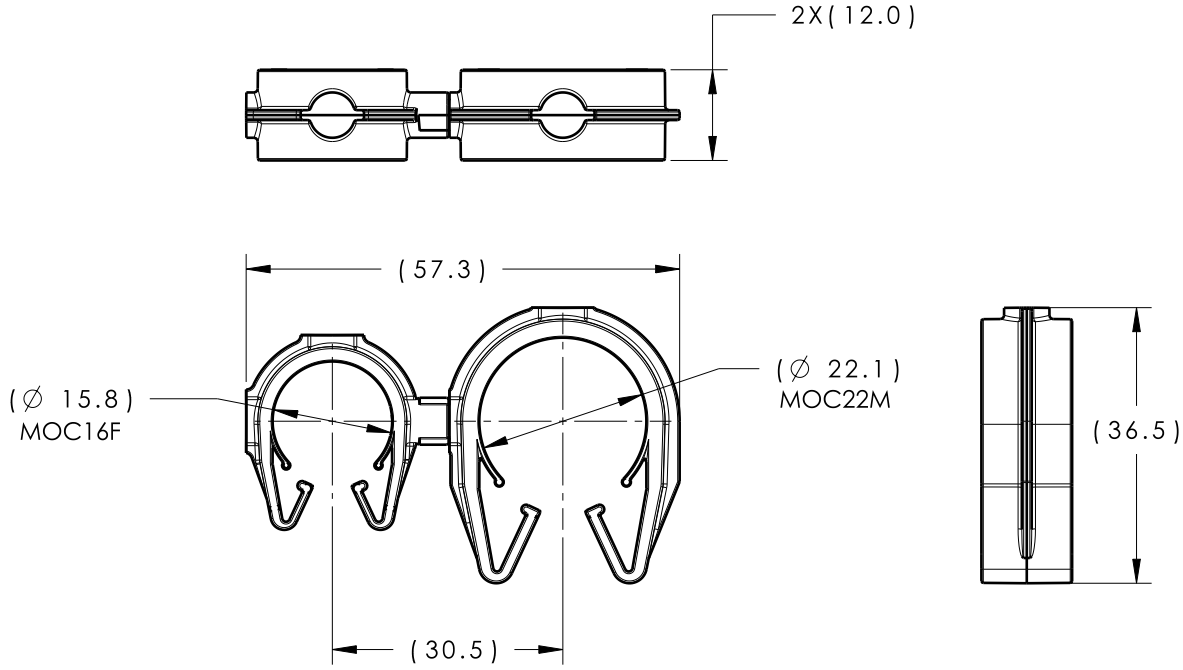


Revision Level			Revision Record	Changed	Date	Approved	Date
Drawing	State	Part					
00.0	Design Release		SEE ECN# 013775	TAT	3/22/17	EJH	3/22/17



TYPE	MOC16F	MOC22M
HARNESS	14.0MM-17.0MM	20.0MM-24.0MM
HOSE	14.0MM-17.0MM	20.0MM-24.0MM
HARD PIPE/TUBE	15.9MM-18.3MM	22.0MM-25.0MM

\*RECOMMENDED SIZES MAY DIFFER DEPENDING ON THE APPLICATION, PRODUCT REQUIREMENTS AND MATERIALS USED

UNS-UNIVERSAL NUMBER SYSTEM	TYPE	MOC16F			MOC22M		
		DRAWING	MATERIAL	COLOR	DRAWING	MATERIAL	COLOR
151-02141	MOC16FMOC22M	16-0321-000-CSU	PA66HIRHS	BLACK	16-0323-000-CSU	PA66HIRHS	BLACK

Material <b>SEE CHART</b> COLOR: SEE CHART	Units <b>millimeters</b>	The copyright of this drawing is reserved by HellermannTyton. It is issued on condition that it is not reproduced, copied or disclosed to a third party, either wholly or in part, without the consent of HellermannTyton.	Drawn <b>TAT</b> <b>2/22/17</b>	Article/Type-No <b>MOC16FMOC22M</b>	Scale <b>1:1</b>	
	Tolerance defined on each dimension		Approved <b>EJH</b> <b>2/28/17</b>	Title <b>16MM MODULAR OMEGA CLIP COUPLED TO A 22MM MODULAR OMEGA CLIP</b>	Project Number <b>16-0326</b>	
			 North America Email: corp@htamericas.com Web: www.hellermann.tyton.com		Drawing-No <b>PROTOTYPE : Phase</b>	Format <b>AH</b>
					<b>16-0326-571-CSU</b>	