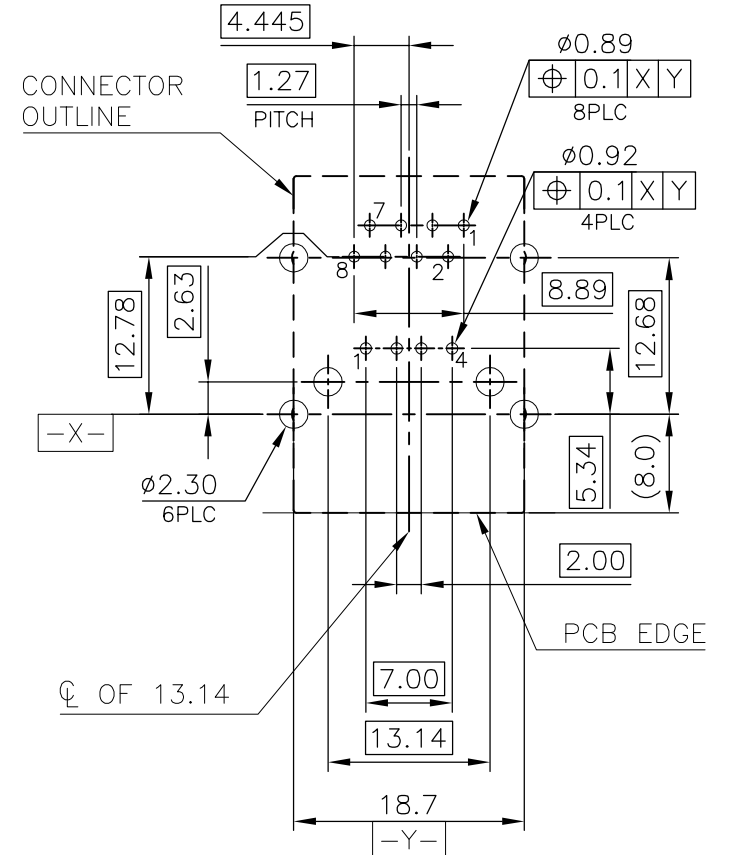
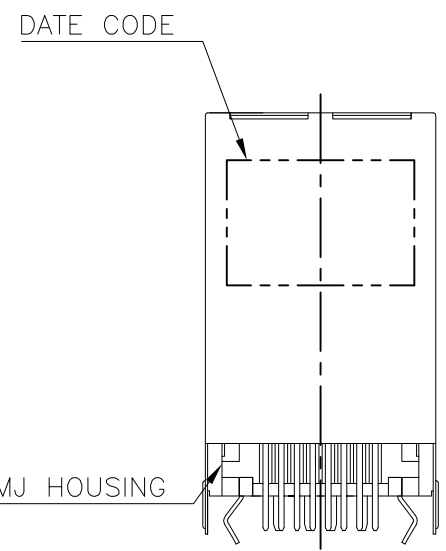
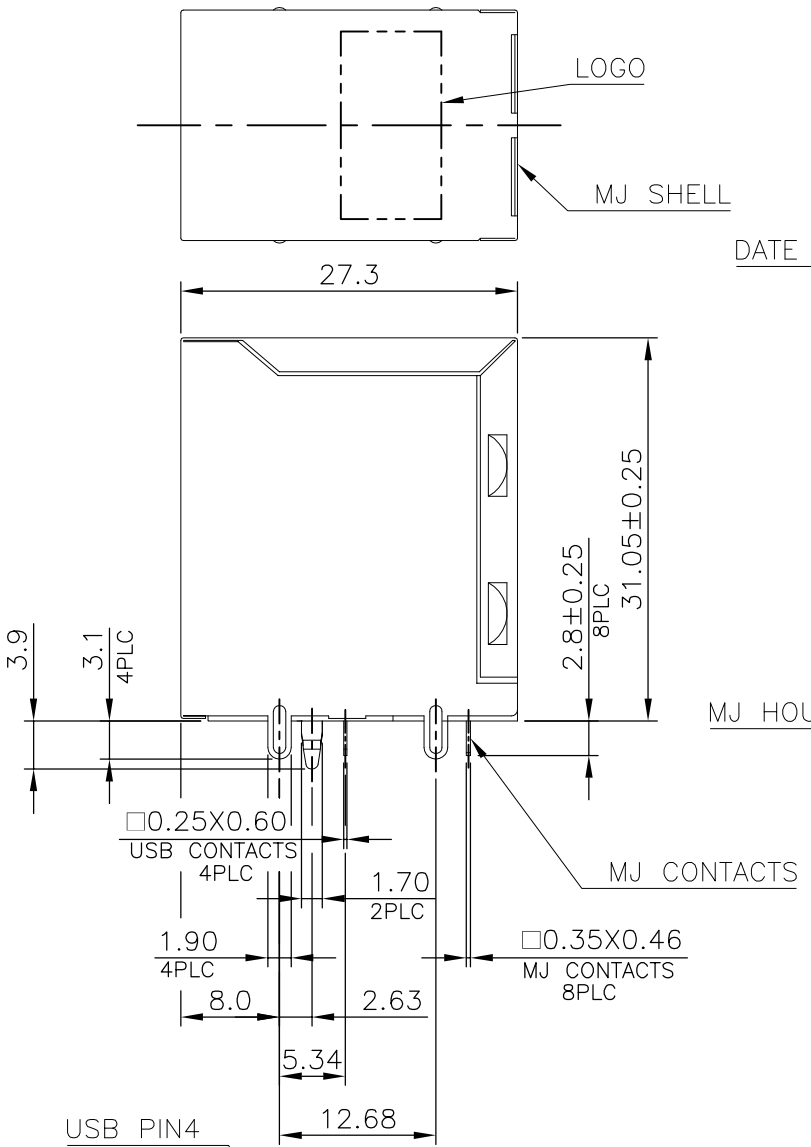
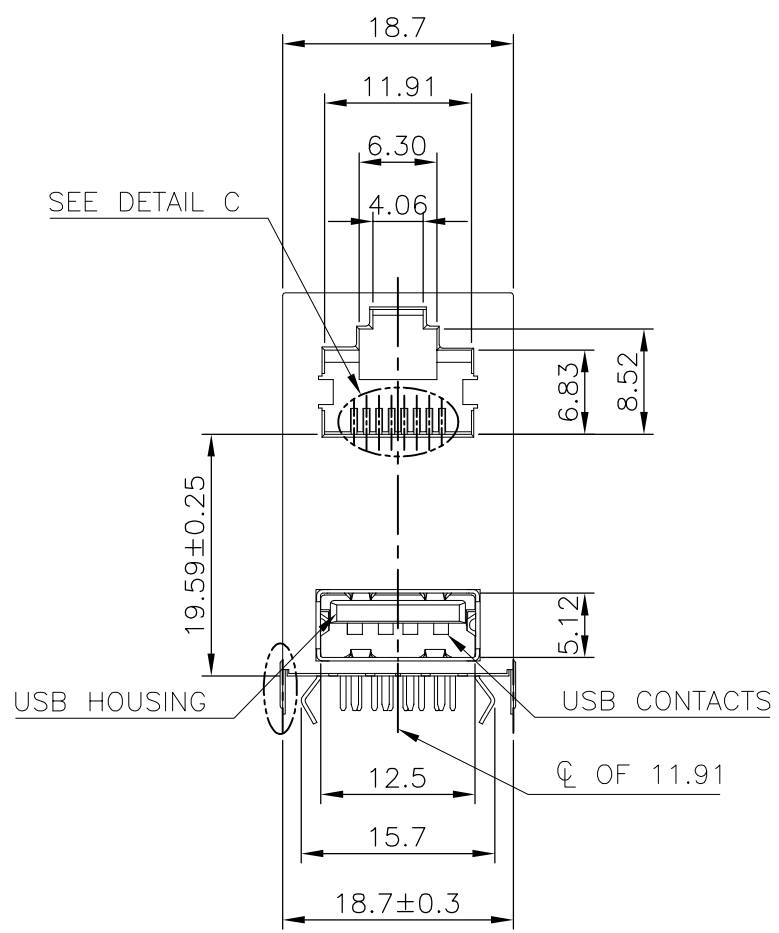
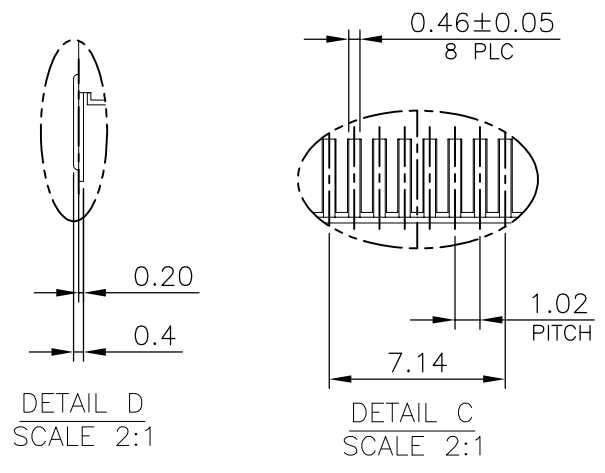
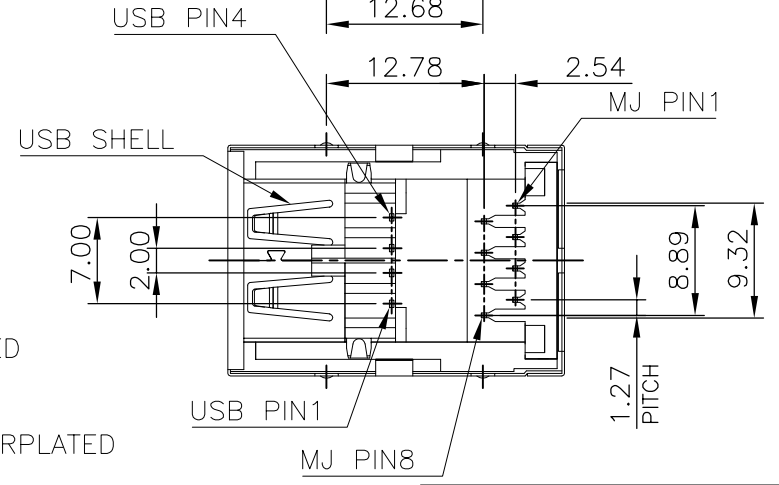


THIS DRAWING IS UNPUBLISHED. RELEASED FOR PUBLICATION  
 © COPYRIGHT 2011 BY TYCO ELECTRONICS CORPORATION. ALL RIGHTS RESERVED.

LOC		DIST		REVISIONS				
P	LTR	DESCRIPTION			DATE	DWN	APVD	
	C	REV PER ECO-14-017393			04AUG2014	L.L.	S.H.	



RECOMMENDED PCB LAYOUT  
 RECOMMENDED PCB THICKNESS: 1.6mm.  
 TOLERANCE: ±0.05 (TOP VIEW)



- NOTE:
- MATERIAL:
    - MJ HOUSING: PBT, WITH 30% GF, UL 94V-0, BLACK COLOR.
    - MJ CONTACTS: PHOSPHOR BRONZE.
    - MJ SHELL: BRASS.
    - USB HOUSING: PBT, WITH 30% GF, UL94V-0, BLACK COLOR.
    - USB CONTACTS: BRASS.
    - USB SHELL: SPCC.
  - FINISH:
    - MJ CONTACTS: 0.762um [30u"] MIN. GOLD PLATED ON CONTACT AREA, GOLD FLASH ON SOLDER TAIL, 1.27um [50u"] MIN. NICKEL UNDERPLATED OVERALL.
    - MJ SHELL: 0.508um [20u"] MIN. NICKEL PLATED.
    - USB CONTACTS: 0.762um [30u"] MIN. GOLD PLATED ON CONTACT AREA, 2.54um [100u"] MIN. BRIGHT TIN PLATED ON SOLDER TAIL, 1.27um [50u"] MIN. NICKEL UNDERPLATED OVERALL.
    - USB SHELL: 2.032um [80u"] MIN. NICKEL PLATED.
  - WAVE SOLDER CAPABLE TO 265°C PER TE SPE 109-202, CONDITION B.

THIS DRAWING IS A CONTROLLED DOCUMENT.		DWN	B. HSING	08JUN2008	 TE Connectivity	NAME	
DIMENSIONS: mm		CHK	S. CHIEN	08JUN2008			
TOLERANCES UNLESS OTHERWISE SPECIFIED:		APVD	W. KODAMA	08JUN2008			MODULAR JACK CONNECTOR OVER USB CONNECTOR STACKED, DIP TYPE
0 PLC ± - 1 PLC ± 0.3 2 PLC ± 0.2 3 PLC ± 0.15 4 PLC ± - ANGLES ± 3°		PRODUCT SPEC		108-57900			
MATERIAL		APPLICATION SPEC		14.19 GRAMS	SIZE	CAGE CODE	
SEE NOTE		CUSTOMER DRAWING		SCALE	A3	00779	
FINISH		WEIGHT		14.19 GRAMS	DRAWING NO	C=1909119	
SEE NOTE		SCALE		1 OF 6	RESTRICTED TO	REV C	

4

3

2

1

THIS DRAWING IS UNPUBLISHED. RELEASED FOR PUBLICATION  
 © COPYRIGHT 2011 BY TYCO ELECTRONICS CORPORATION. ALL RIGHTS RESERVED.

LOC	DIST	REVISIONS			
P	LTR	DESCRIPTION	DATE	DWN	APVD
DW		SEE SHEET 1.			

D

D

C

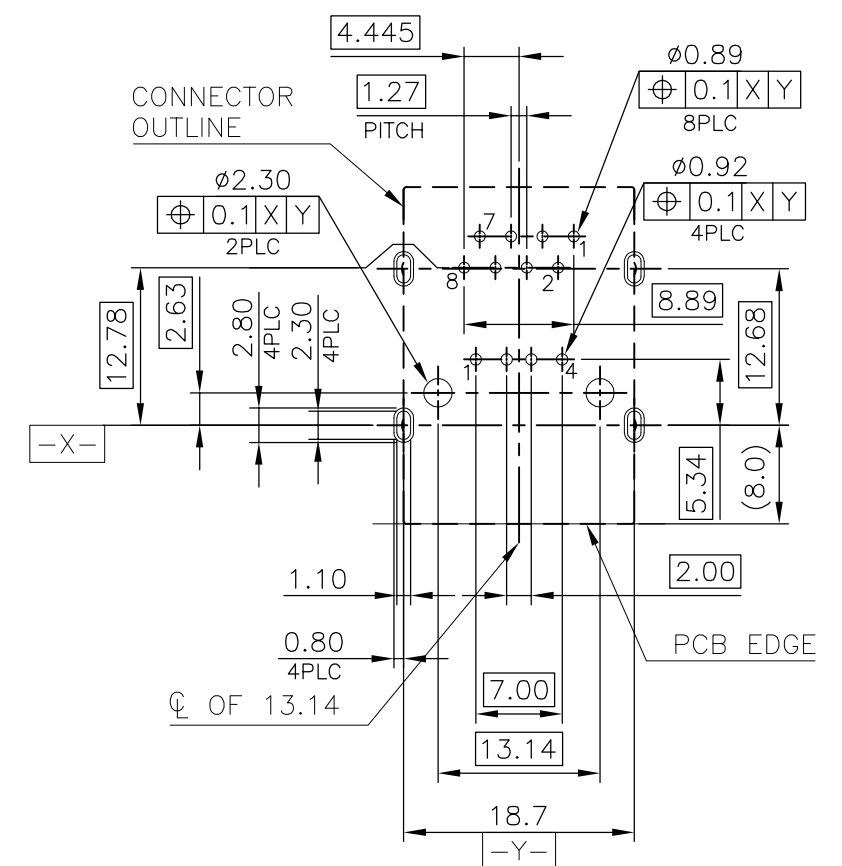
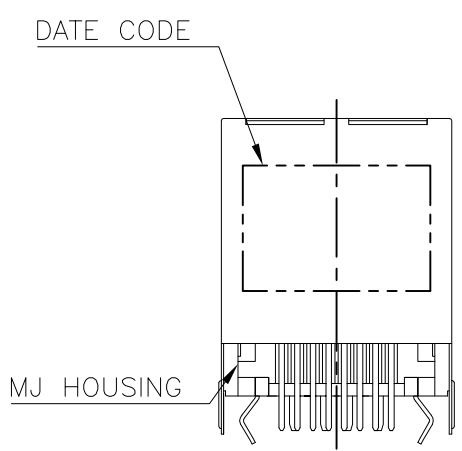
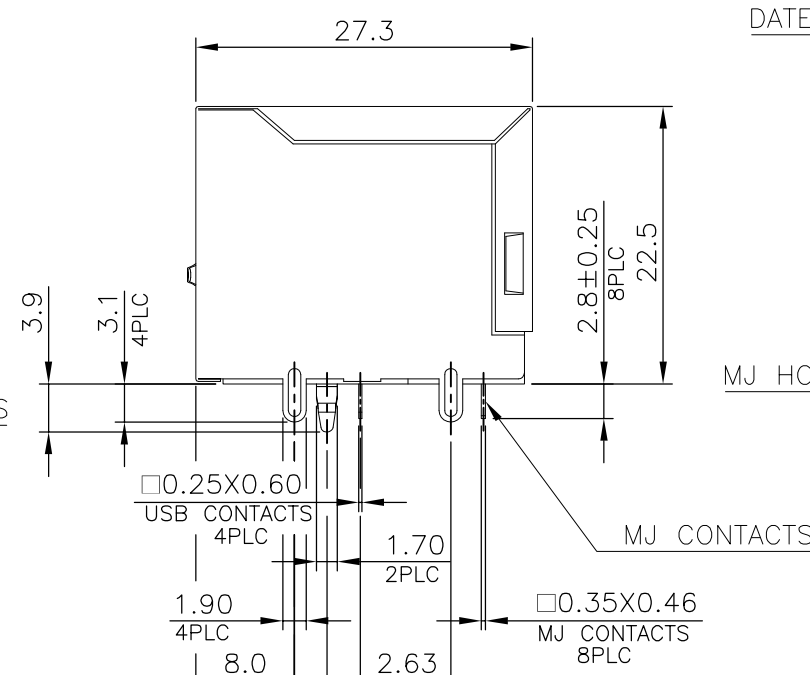
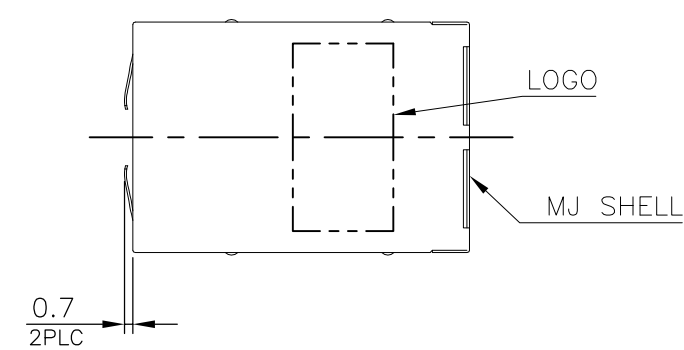
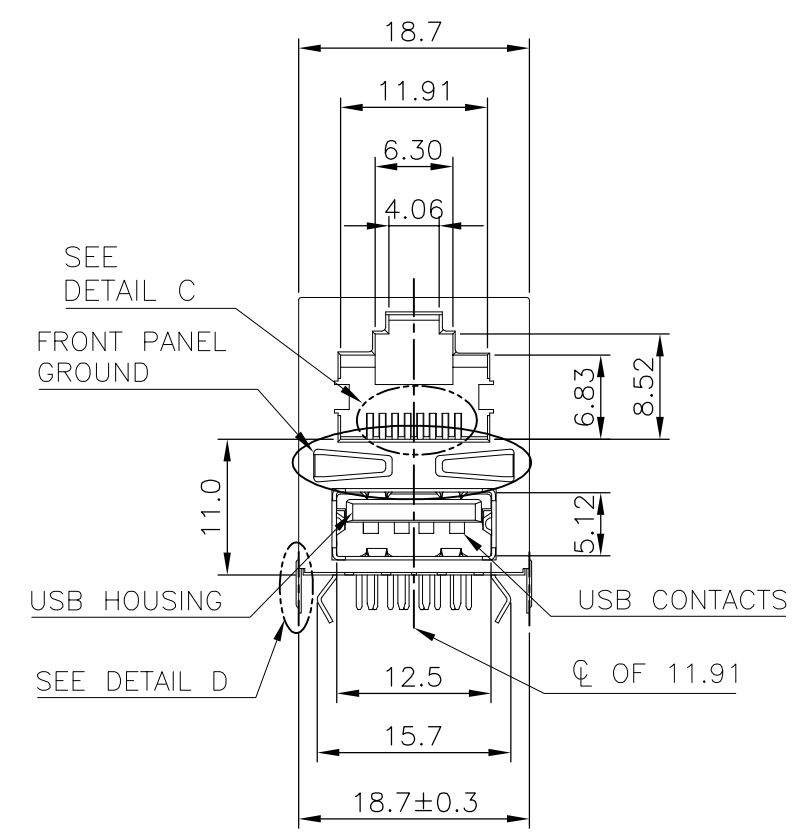
C

B

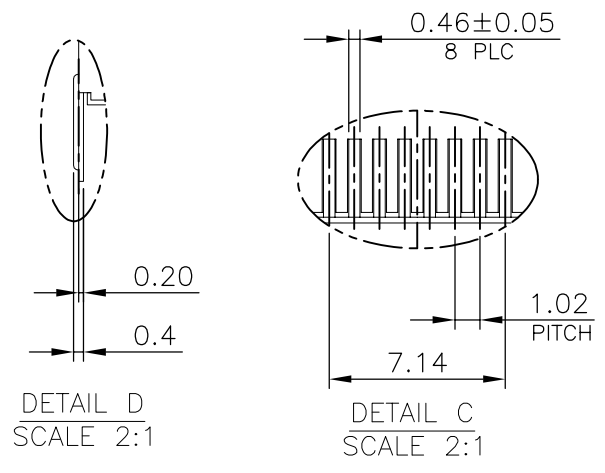
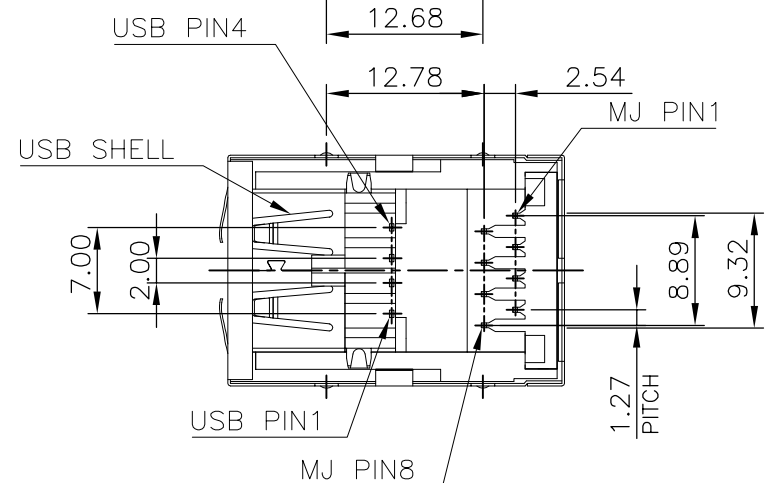
B

A

A



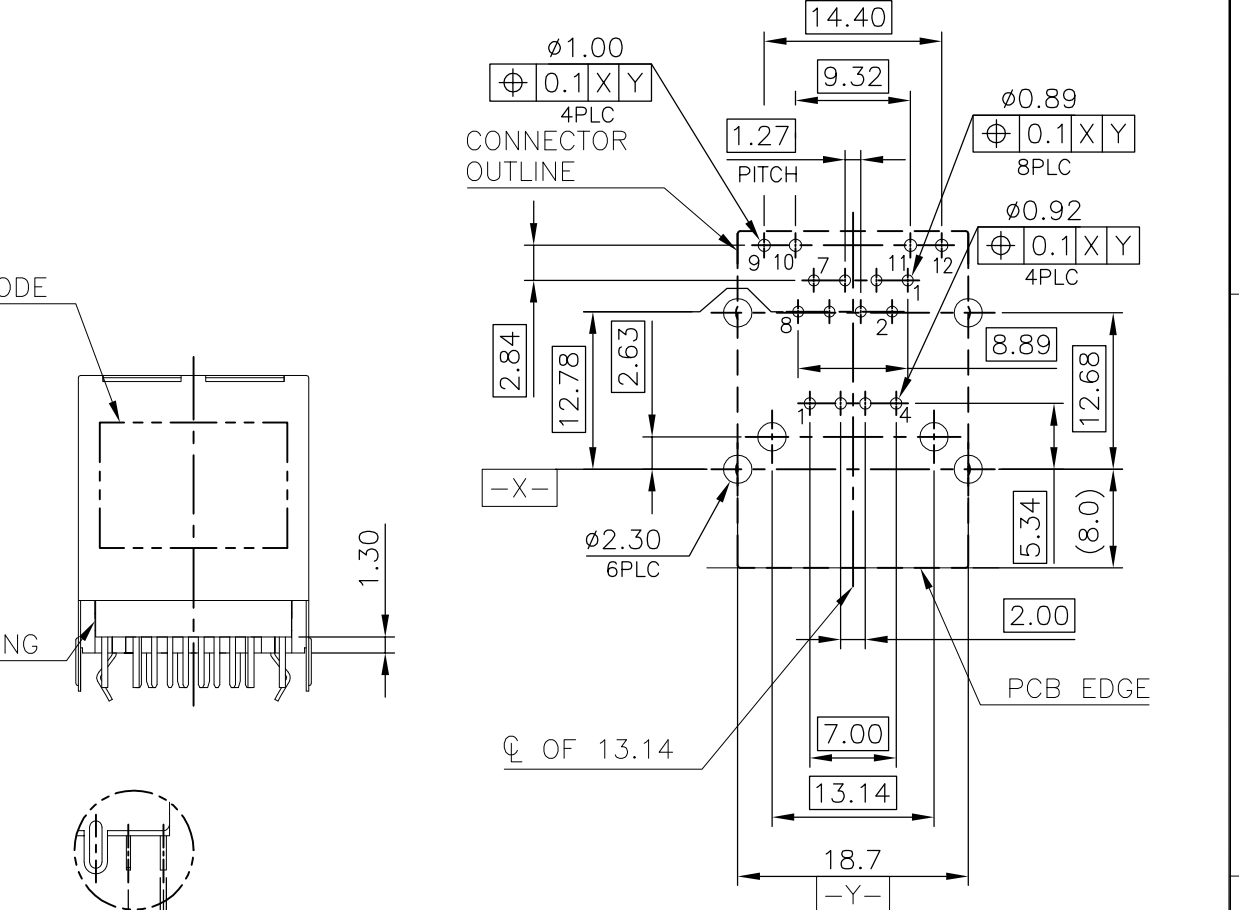
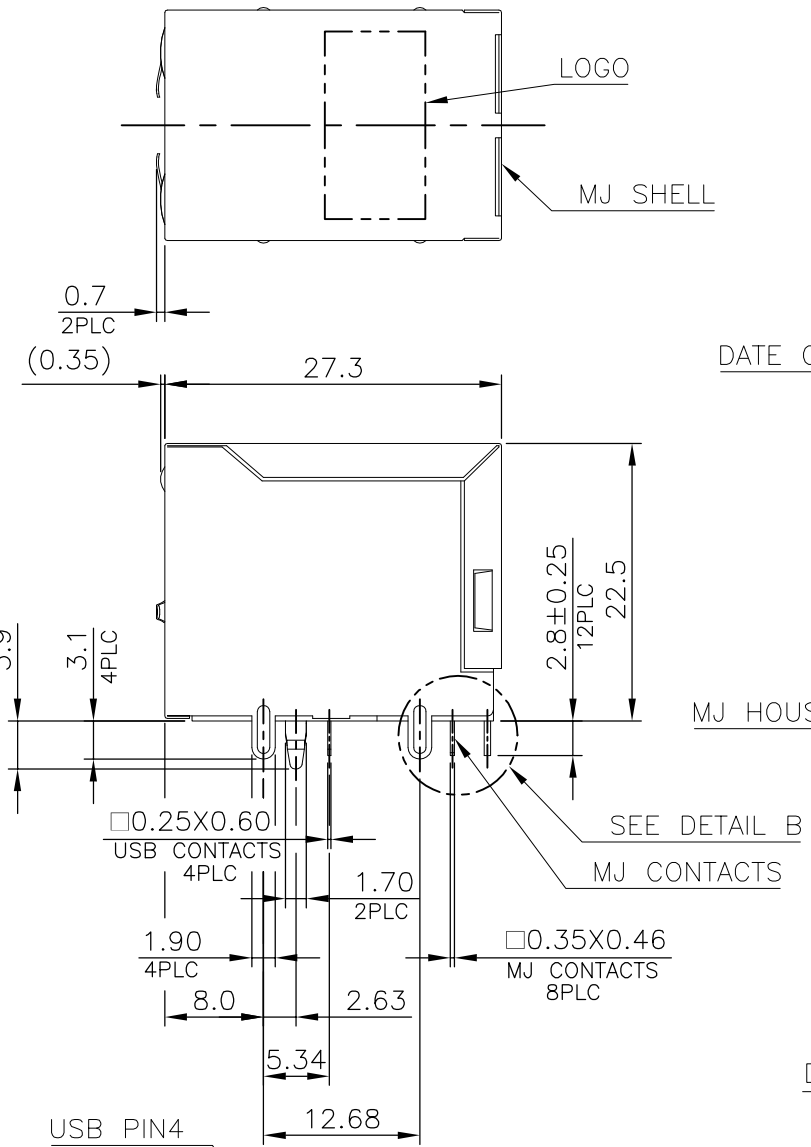
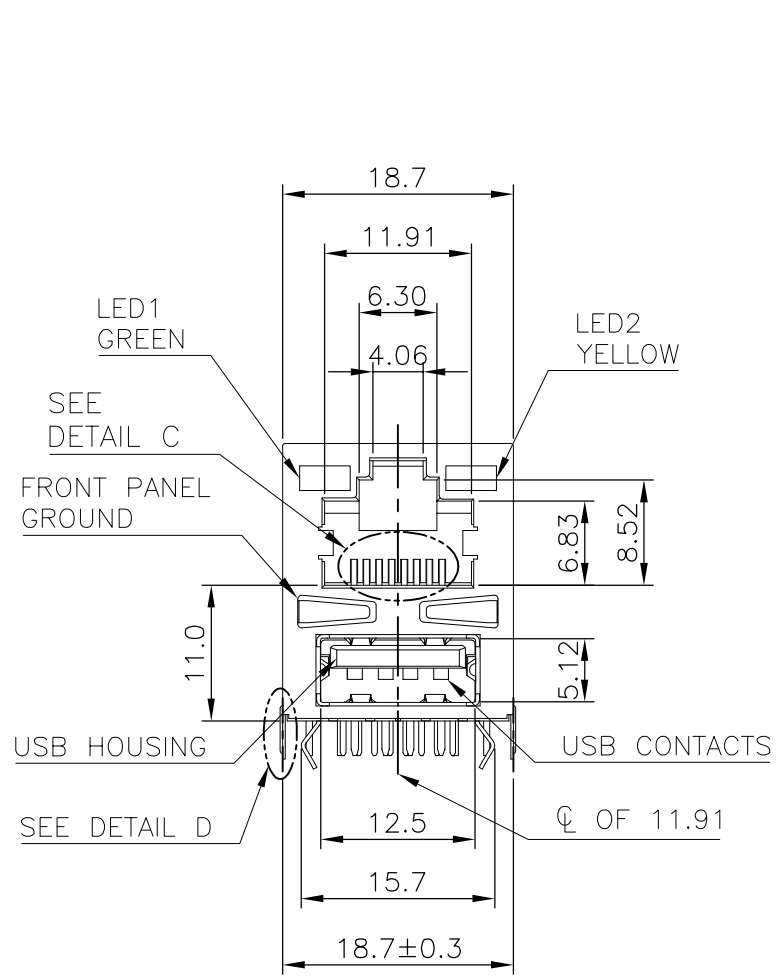
RECOMMENDED PCB LAYOUT  
 RECOMMENDED PCB THICKNESS: 1.6mm.  
 TOLERANCE: ±0.05 (TOP VIEW)



1909119-4  
 PART NUMBER

THIS DRAWING IS A CONTROLLED DOCUMENT.		DWN	TE Connectivity	
DIMENSIONS: mm		CHK	NAME	
TOLERANCES UNLESS OTHERWISE SPECIFIED:		APVD	MODULAR JACK CONNECTOR OVER USB CONNECTOR STACKED, DIP TYPE	
0 PLC ± -		PRODUCT SPEC	SIZE	CAGE CODE
1 PLC ± 0.3		APPLICATION SPEC	DRAWING NO	RESTRICTED TO
2 PLC ± 0.2			A300779	1909119
3 PLC ± 0.15				
4 PLC ± -				
ANGLES ± 3'				
MATERIAL	FINISH	WEIGHT	CUSTOMER DRAWING	
SEE NOTE	SEE NOTE	12.09 GRAMS	SCALE	SHEET
				2 OF 6
				REV C

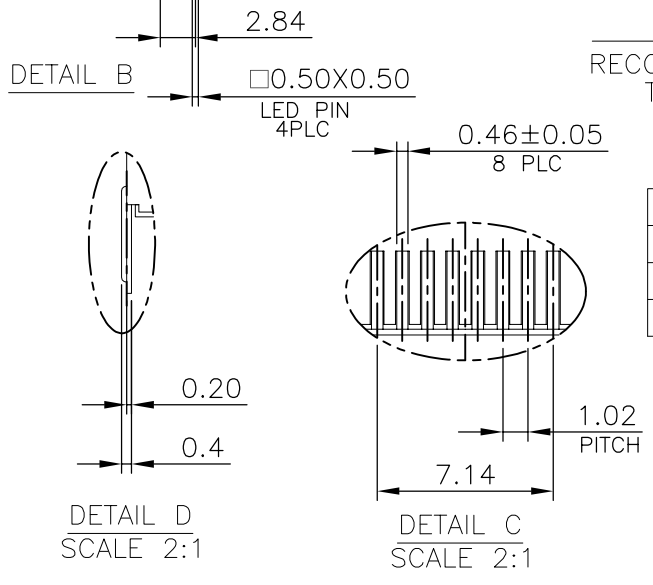
LOC	DIST	REVISIONS			
P	LTR	DESCRIPTION	DATE	DWN	APVD
DW		SEE SHEET 1.			



- NOTE:
- MATERIAL:
    - MJ HOUSING & LED COVER: PBT, WITH 30% GF, UL 94V-0, BLACK COLOR.
    - MJ CONTACTS: PHOSPHOR BRONZE.
    - MJ SHELL: BRASS.
    - LED SOLDER TAIL: EPOXY, STEEL.
    - USB HOUSING: PBT, WITH 30% GF, UL94V-0, BLACK COLOR.
    - USB CONTACTS: BRASS.
    - USB SHELL: SPCC.
  - FINISH:
    - MJ CONTACTS: GOLD FLASH PLATED ON CONTACT AREA, GOLD FLASH ON SOLDER TAIL, 1.27um [50u"] MIN. NICKEL UNDERPLATED OVERALL.
    - MJ SHELL: 0.508um [20u"] MIN. NICKEL PLATED.
    - LED SOLDER TAIL: 1.02um [40u"] COPPER UNDERPLATED OVERALL. 1.27um [50u"] NICKEL OVERALL. 1.27um [50u"] SILVER ON BONDING AREA. 2.54um [100u"] BRIGHT-TIN ON SOLDER AREA.
    - USB CONTACTS: 0.762um [30u"] MIN. GOLD PLATED ON CONTACT AREA, 2.54um [100u"] MIN. BRIGHT TIN PLATED ON SOLDER TAIL, 1.27um [50u"] MIN. NICKEL UNDERPLATED OVERALL.
    - USB SHELL: 2.032um [80u"] MIN. NICKEL PLATED.
  - WAVE SOLDER CAPABLE TO 265°C PER TE SPE 109-202, CONDITION B.

RECOMMENDED PCB LAYOUT  
 RECOMMENDED PCB THICKNESS: 1.6mm.  
 TOLERANCE: ±0.05 (TOP VIEW)

LED ELECTRICAL CHARACTERISTIC			
NO.	NODE	COLOR	
LED1	9(+)	10(-)	GREEN 9- $\nabla$ -10
LED2	11(+)	12(-)	YELLOW 11- $\nabla$ -12

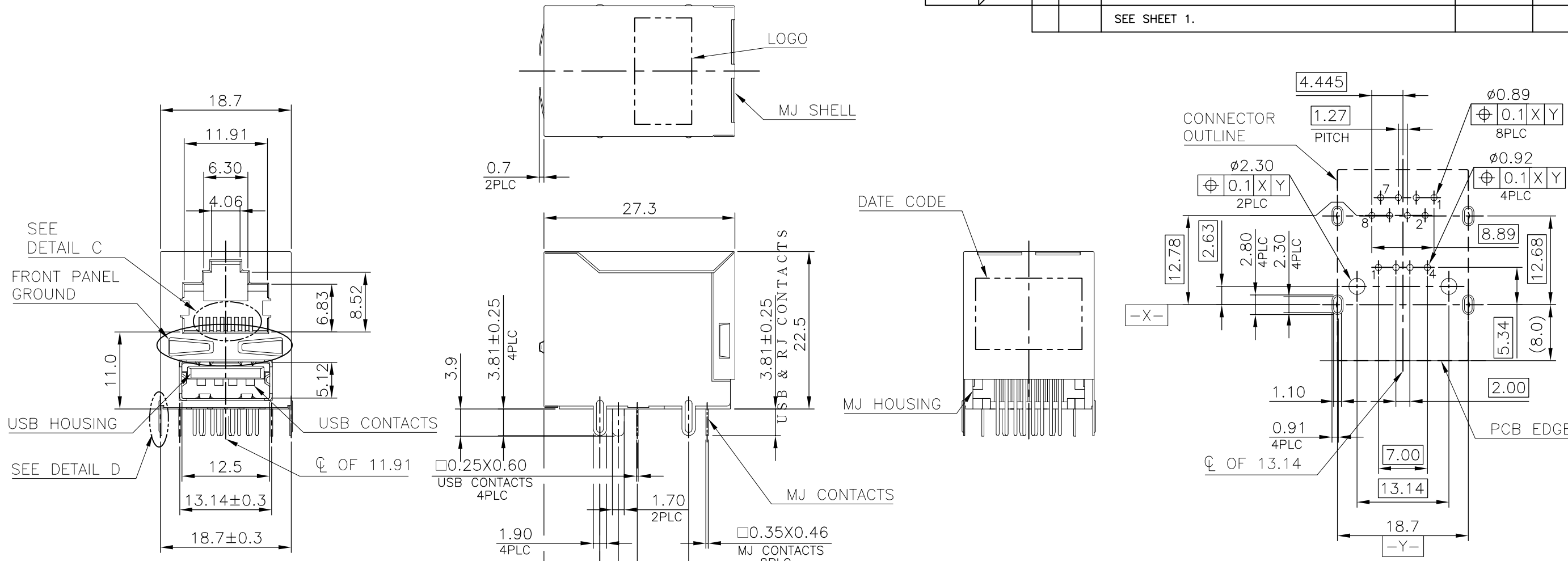


1-1909119-4  
 PART NUMBER

THIS DRAWING IS A CONTROLLED DOCUMENT.

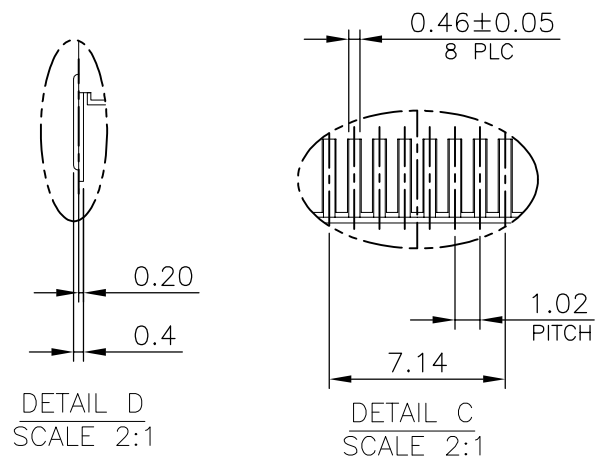
DIMENSIONS: mm	TOLERANCES UNLESS OTHERWISE SPECIFIED:	DWN	TE Connectivity NAME MODULAR JACK CONNECTOR OVER USB CONNECTOR STACKED, DIP TYPE
	0 PLC ± - 1 PLC ± 0.3 2 PLC ± 0.2 3 PLC ± 0.15 4 PLC ± - ANGLES ± 3°	CHK	
MATERIAL SEE NOTE	FINISH SEE NOTE	APVD	SIZE
		PRODUCT SPEC	CAGE CODE
		APPLICATION SPEC	DRAWING NO
		WEIGHT 13.06 GRAMS	RESTRICTED TO
		CUSTOMER DRAWING	A300779 C-1909119
		SCALE	SHEET 3 OF 6
			REV C

LOC	DIST	REVISIONS			
P	LTR	DESCRIPTION	DATE	DWN	APVD
DW		SEE SHEET 1.			



RECOMMENDED PCB LAYOUT  
 RECOMMENDED PCB THICKNESS: 3.0mm.  
 TOLERANCE: ±0.05 (TOP VIEW)

- NOTE:
- MATERIAL:
    - MJ HOUSING: PA9T, WITH 30% GF, UL 94V-0, BLACK COLOR.
    - MJ CONTACTS: PHOSPHOR BRONZE.
    - MJ SHELL: BRASS.
    - USB HOUSING: PA9T, WITH 30% GF, UL94V-0, BLACK COLOR.
    - USB CONTACTS: BRASS.
    - USB SHELL: SPCC.
  - FINISH:
    - MJ CONTACTS: GOLD FLASH PLATED ON CONTACT AREA, GOLD FLASH ON SOLDER TAIL, 1.27µm [50u"] MIN. NICKEL UNDERPLATED OVERALL.
    - MJ SHELL: 0.508µm [20u"] MIN. NICKEL PLATED.
    - USB CONTACTS: 0.762µm [30u"] MIN. GOLD PLATED ON CONTACT AREA, 2.54µm [100u"] MIN. BRIGHT TIN PLATED ON SOLDER TAIL, 1.27µm [50u"] MIN. NICKEL UNDERPLATED OVERALL.
    - USB SHELL: 2.032µm [80u"] MIN. NICKEL PLATED.
  - REFLOW SOLDER CAPABLE TO 260°C PER TE SPEC 109-201, CONDITION A.



2-1909119-4  
 PART NUMBER

THIS DRAWING IS A CONTROLLED DOCUMENT.		DWN		TE Connectivity	
DIMENSIONS: mm		CHK			
TOLERANCES UNLESS OTHERWISE SPECIFIED:		APVD		NAME	
0 PLC ± - 1 PLC ± 0.3 2 PLC ± 0.2 3 PLC ± 0.15 4 PLC ± - ANGLES ± 3°		PRODUCT SPEC		MODULAR JACK CONNECTOR OVER USB CONNECTOR STACKED, DIP TYPE	
MATERIAL SEE NOTE		FINISH SEE NOTE		APPLICATION SPEC	
		WEIGHT 13.06 GRAMS		SIZE A3	
		CUSTOMER DRAWING		CAGE CODE 00779	
				DRAWING NO. 1909119	
				RESTRICTED TO	
				SCALE	
				SHEET 4 OF 6	
				REV C	

4

3

2

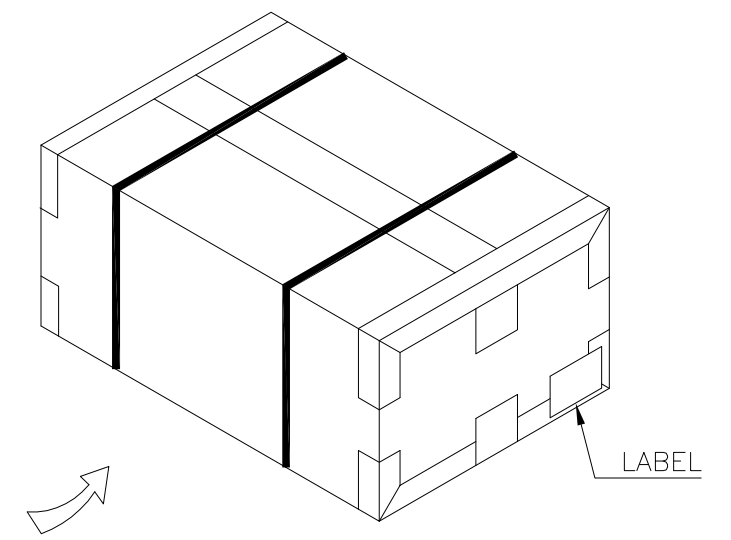
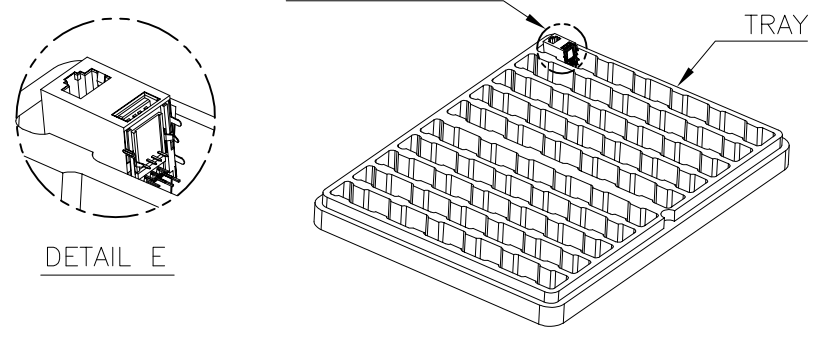
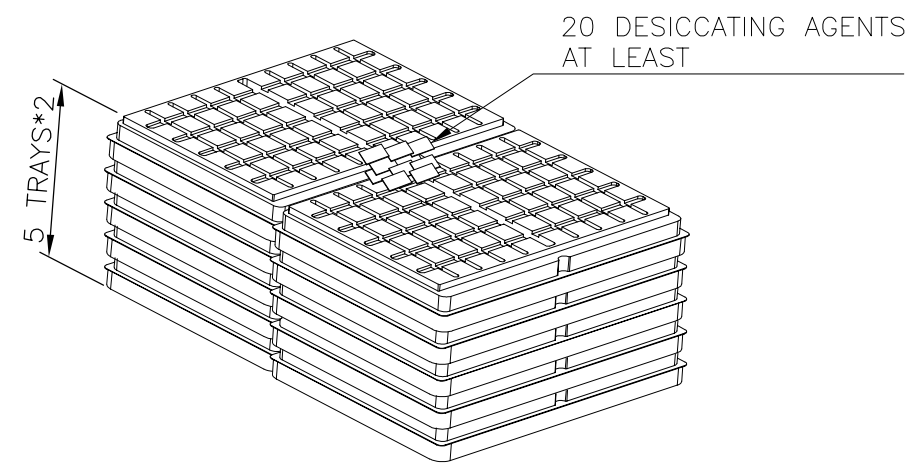
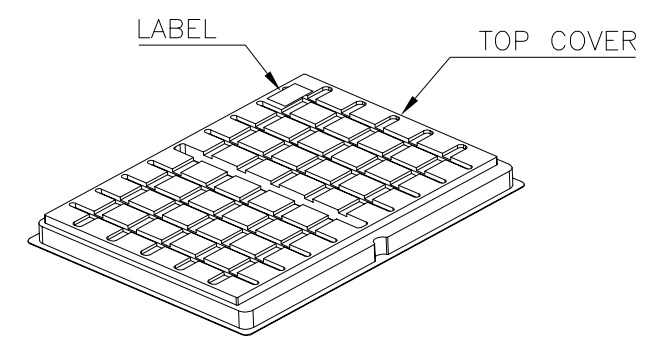
1

THIS DRAWING IS UNPUBLISHED. RELEASED FOR PUBLICATION  
 © COPYRIGHT 2011 BY TYCO ELECTRONICS CORPORATION. ALL RIGHTS RESERVED.

LOC	DIST	REVISIONS				
P	LTR	DESCRIPTION	DATE	DWN	APVD	
DW	/	SEE SHEET 1.				

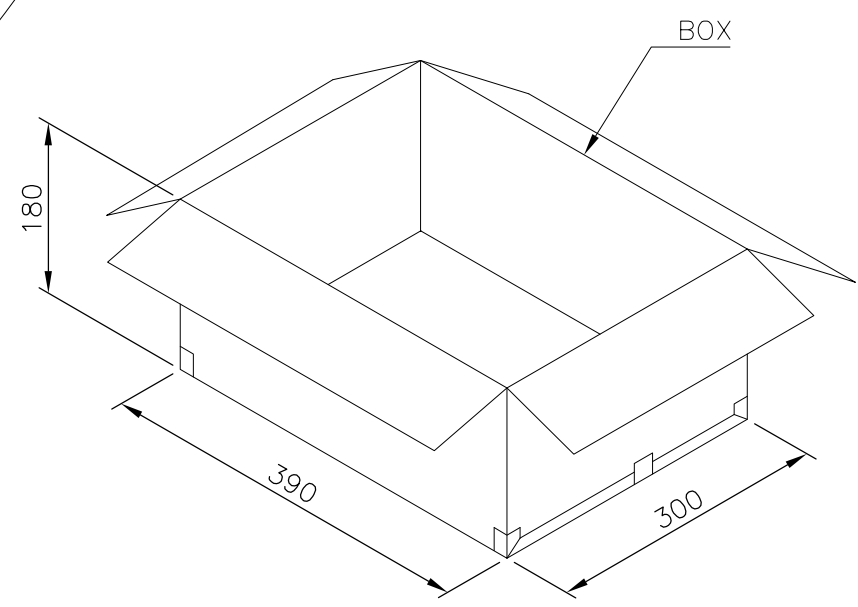
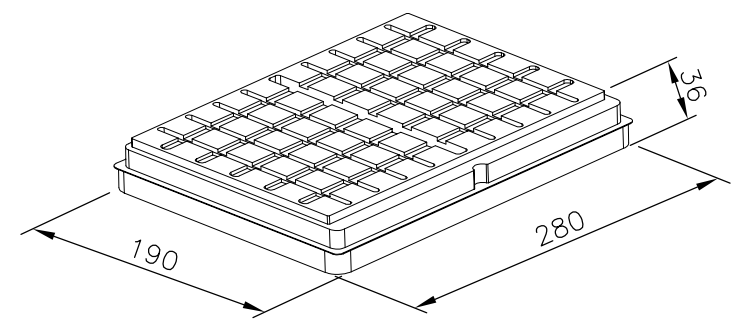
D

D



C

C



9.10KG	7.10KG	50	10	500	1909119-1
GROSS WEIGHT	NET WEIGHT	PCS/TRAY	TRAY/BOX	PCS/BOX	PART NUMBER

B

B

NOTE:  
 1. MATERIAL:  
 1.1 TRAY & TOP COVER: PET.  
 1.2 BOX: CORRUGATED PAPER.  
 2. EACH BAG SHALL BE INCLUDED:  
 \*DESICCANT

THIS DRAWING IS A CONTROLLED DOCUMENT.		DWN	TE Connectivity NAME MODULAR JACK CONNECTOR OVER USB CONNECTOR STACKED, DIP TYPE				
DIMENSIONS: mm		CHK					
TOLERANCES UNLESS OTHERWISE SPECIFIED:		APVD					
0 PLC ± - 1 PLC ± 0.3 2 PLC ± 0.2 3 PLC ± 0.15 4 PLC ± - ANGLES ± 3°		PRODUCT SPEC					
MATERIAL		FINISH	APPLICATION SPEC	SIZE	CAGE CODE	DRAWING NO	RESTRICTED TO
			WEIGHT	A3	00779	C-1909119	
CUSTOMER DRAWING			SCALE	SHEET	5 OF 6	REV	C

A

A

4

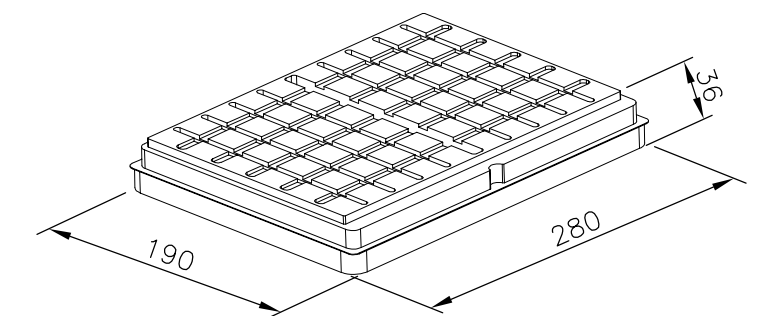
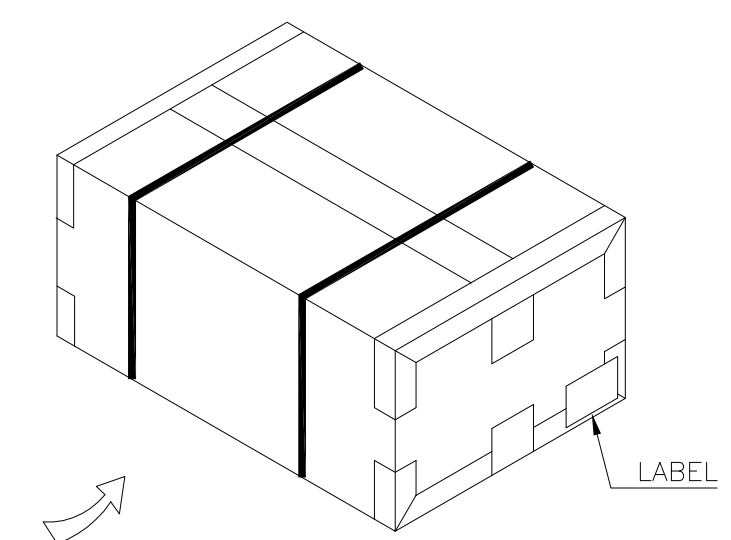
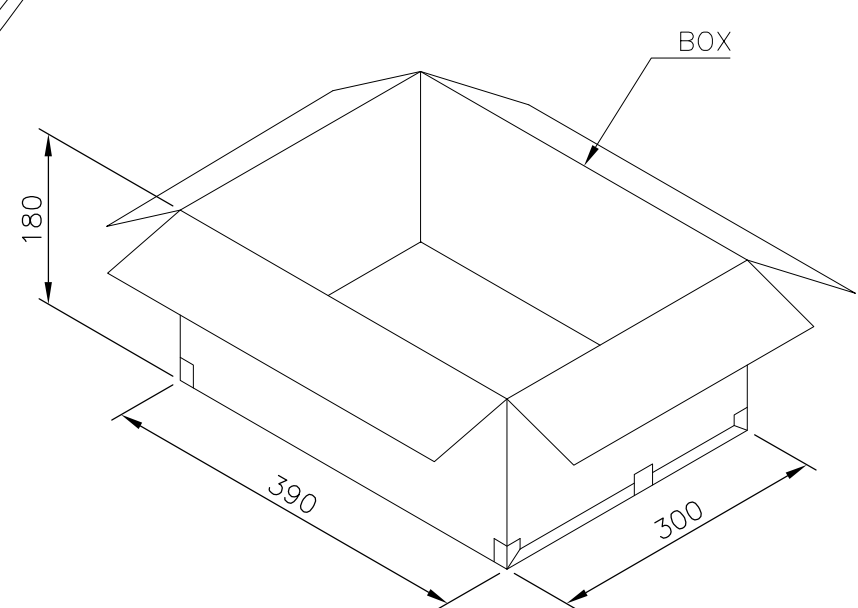
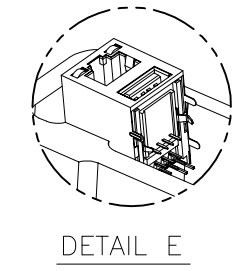
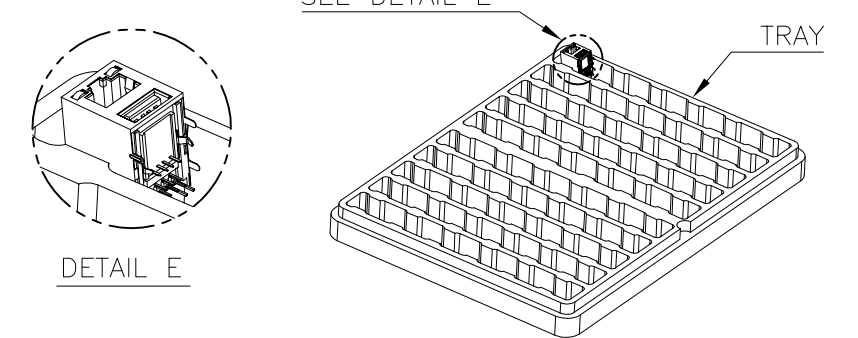
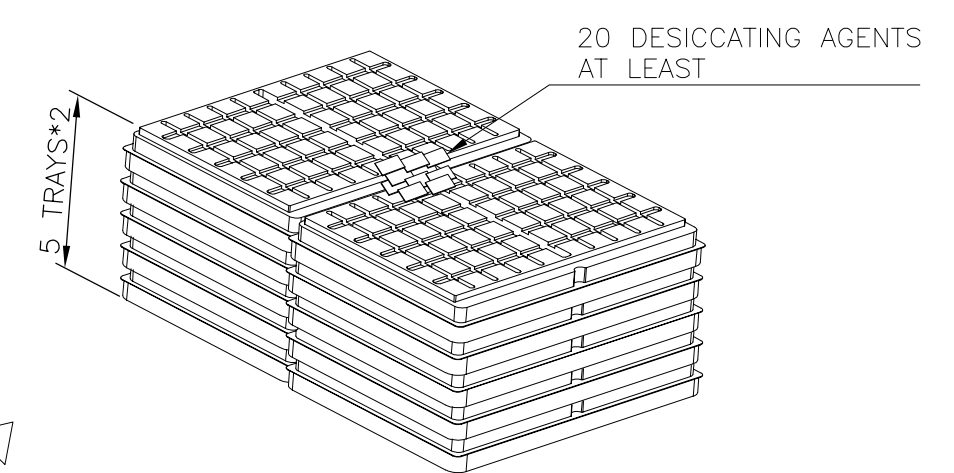
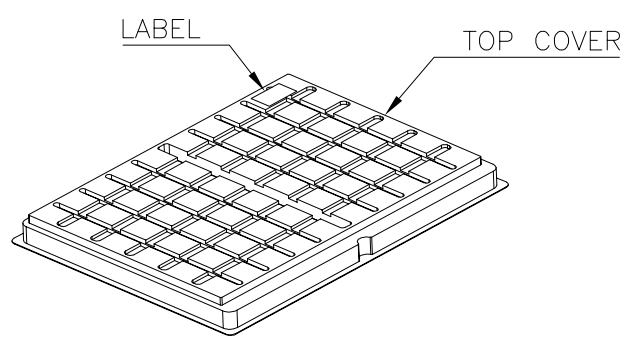
3

2

1

THIS DRAWING IS UNPUBLISHED. RELEASED FOR PUBLICATION  
 © COPYRIGHT 2011 BY TYCO ELECTRONICS CORPORATION. ALL RIGHTS RESERVED.

LOC	DIST	REVISIONS				
P	LTR	DESCRIPTION	DATE	DWN	APVD	
		SEE SHEET 1.				



8.60 KG	6.55 KG	50	10	500	2-1909119-4
8.60 KG	6.55 KG	50	10	500	1-1909119-4
8.00 KG	6.05 KG	50	10	500	1909119-4
GROSS WEIGHT	NET WEIGHT	PCS/TRAY	TRAY/BOX	PCS/BOX	PART NUMBER

NOTE:

- MATERIAL:
  - 1.1 TRAY & TOP COVER: PET.
  - 1.2 BOX: CORRUGATED PAPER.
- EACH BAG SHALL BE INCLUDED:
  - \*DESICCANT

THIS DRAWING IS A CONTROLLED DOCUMENT.		DWN		TE Connectivity NAME MODULAR JACK CONNECTOR OVER USB CONNECTOR STACKED, DIP TYPE	
DIMENSIONS: mm		CHK			
TOLERANCES UNLESS OTHERWISE SPECIFIED:		APVD			
0 PLC ± - 1 PLC ± 0.3 2 PLC ± 0.2 3 PLC ± 0.15 4 PLC ± - ANGLES ± 3°		PRODUCT SPEC			
MATERIAL		FINISH		APPLICATION SPEC	
		WEIGHT		RESTRICTED TO	
		CUSTOMER DRAWING		SIZE: A3 CAGE CODE: 00779 DRAWING NO: C-1909119	
		SCALE: -		SHEET 6 OF 6 REV C	