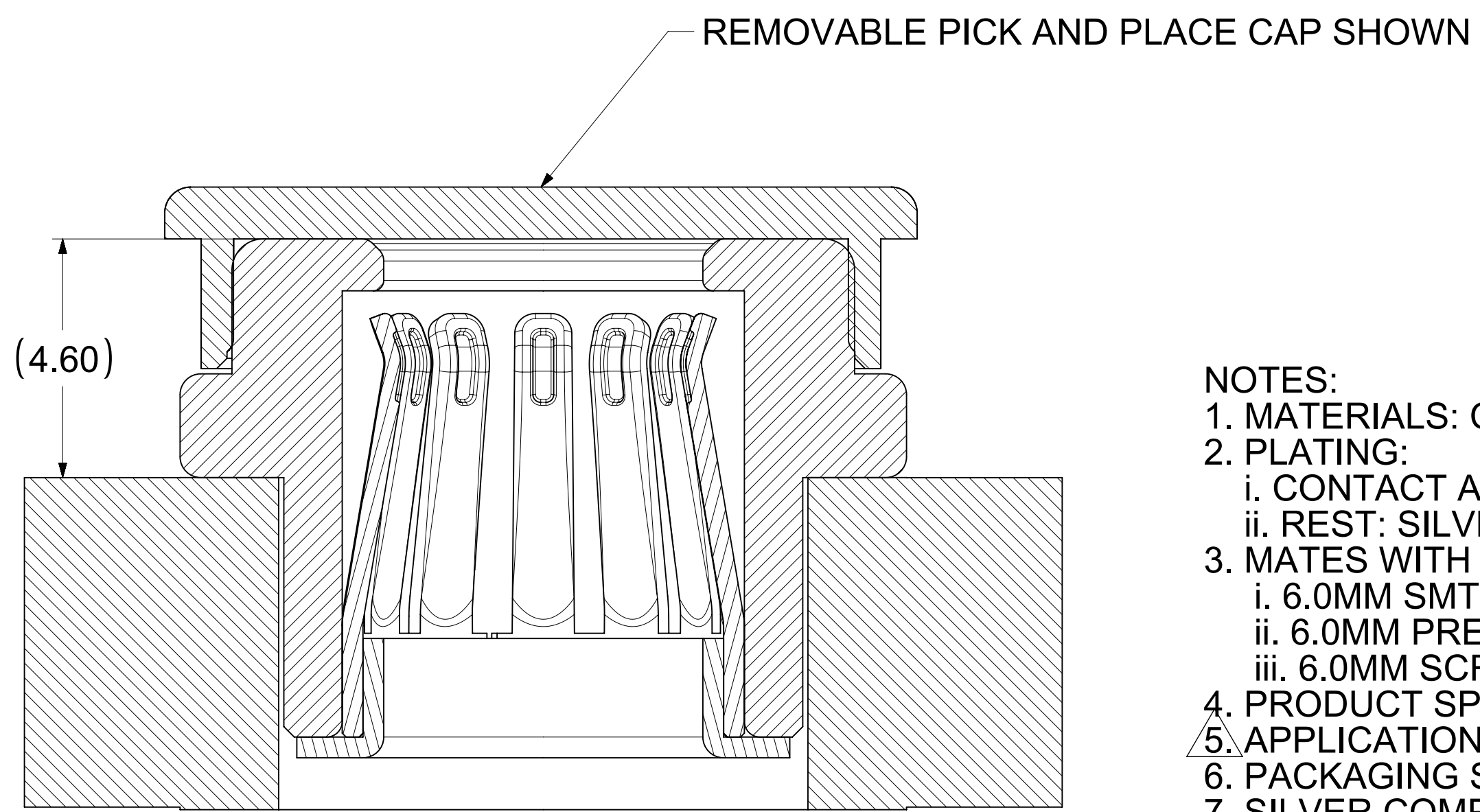
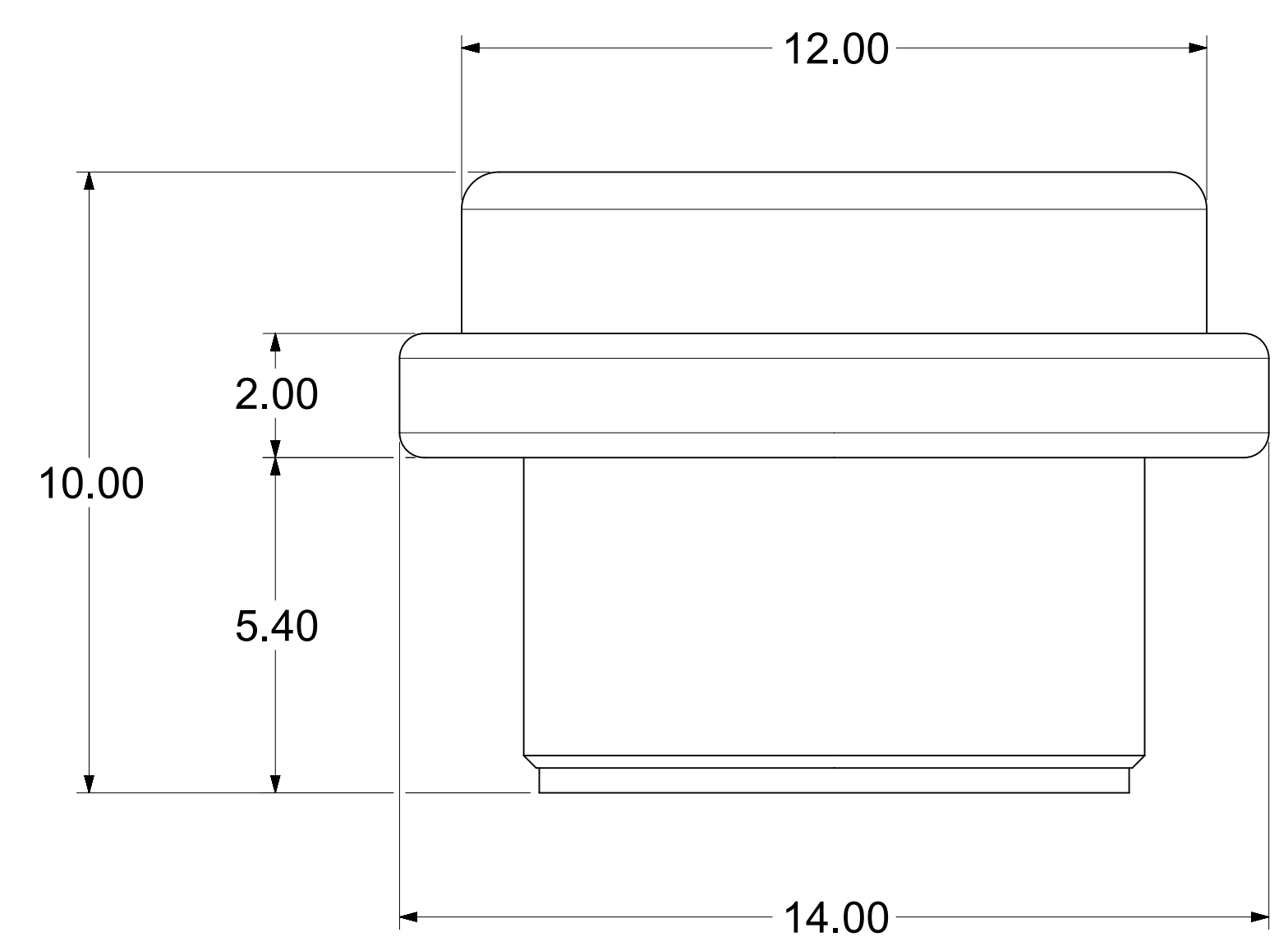


MATING PROFILE



SECTION A-A

- NOTES:**
1. MATERIALS: COPPER ALLOY
 2. PLATING:
 - i. CONTACT AREA: GOLD.
 - ii. REST: SILVER WITH TARNISH INHIBITOR
 3. MATES WITH THE STANDARD PIN DRAWINGS:
 - i. 6.0MM SMT DRAWING 2032630136-SD, MIN. MATING DISTANCE 7.10MM
 - ii. 6.0MM PRESS FIT DRAWING 2032630006-SD, MIN. MATING DISTANCE 7.35MM
 - iii. 6.0MM SCREW MOUNT DRAWING 2032636185-SD, MIN. MATING DISTANCE 10.10MM
 4. PRODUCT SPECIFICATION: 2043130006-PS
 5. APPLICATION SPECIFICATION: 2043130006-AS
 6. PACKAGING SPECIFICATION: 2043180006-PK
 7. SILVER COMPONENTS WILL BE SUPPLIED TARNISH FREE BUT MAY TARNISH OVER TIME.

THIS DRAWING CONTAINS INFORMATION THAT IS PROPRIETARY TO MOLEX ELECTRONIC TECHNOLOGIES, LLC AND SHOULD NOT BE USED WITHOUT WRITTEN PERMISSION											
DIMENSION UNITS	SCALE	CURRENT REV DESC: INITIAL RELEASE									
mm	NTS	molex									
GENERAL TOLERANCES (UNLESS SPECIFIED)		6.0MM CST STANDARD (SMT)									
ANGULAR TOL	± °	PRODUCT CUSTOMER DRAWING									
4 PLACES	±	EC NO: 618198									
3 PLACES	±	DRWN: FCSSO	2018/08/21								
2 PLACES	± 0.15	CHK'D: BPISZCZOR	2019/05/30								
1 PLACE	± 0.25	APPR: BPISZCZOR	2019/05/30								
0 PLACES	±	INITIAL REVISION:									
DRAFT WHERE APPLICABLE MUST REMAIN WITHIN DIMENSIONS		THIRD ANGLE PROJECTION		DRAWING	SERIES	MATERIAL NUMBER	CUSTOMER	SHEET NUMBER			
				D-SIZE	204318	2043180006	GENERAL MARKET	1 OF 1			