

PLEASE CHECK WWW.MOLEX.COM FOR LATEST PART INFORMATION

Part Number: [0507538041](#)
Status: **Active**
Overview: [PanelMate™ Wire-to-Board Connector System](#)
Description: PanelMate Crimp Terminal 50753, 30-32 AWG, Reel

Documents:

Drawing (PDF)	Product Specification PS-51146-010-001 (PDF)
Product Specification PS-51146-007-001 (PDF)	Product Specification PS-51146-011-001 (PDF)
Product Specification PS-51146-009-001 (PDF)	RoHS Certificate of Compliance (PDF)

General

Product Family	Crimp Terminals
Series	50753
Application	Signal
Crimp Quality Equipment	Yes
Overview	PanelMate™ Wire-to-Board Connector System
Packaging Alternative	50753-8141 (Loose)
Product Name	PanelMate
UPC	800753369887

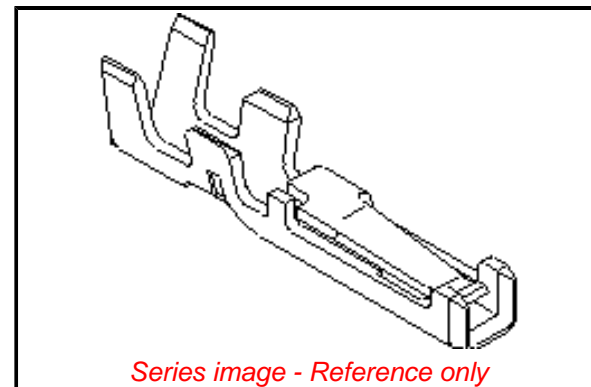
Physical

Gender	Female
Material - Metal	Phosphor Bronze
Material - Plating Mating	Gold
Material - Plating Termination	Gold
Net Weight	14.300/mg
Packaging Type	Reel
Plating min - Mating	0.203µm
Plating min - Termination	0.203µm
Termination Interface: Style	Crimp or Compression
Wire Insulation Diameter	0.40-0.55mm
Wire Size AWG	30, 32
Wire Size mm²	N/A

Material Info

Reference - Drawing Numbers

Product Specification	PS-51146-007-001, PS-51146-009-001, PS-51146-010-001, PS-51146-011-001
Sales Drawing	SD-50753-8****



EU ELV

Not Relevant

EU RoHS

Compliant

REACH SVHC

Not Contained Per -
ED/30/2017 (7 July
2017)

Halogen-Free

Status

Low-Halogen

**Need more information on product
environmental compliance?**

Email productcompliance@molex.com
Please visit the [Contact Us](#) section for any
non-product compliance questions.

China ROHS

ELV

RoHS Phthalates

Green Image

Not Relevant

Not Contained

Search Parts in this Series

[50753](#) Series