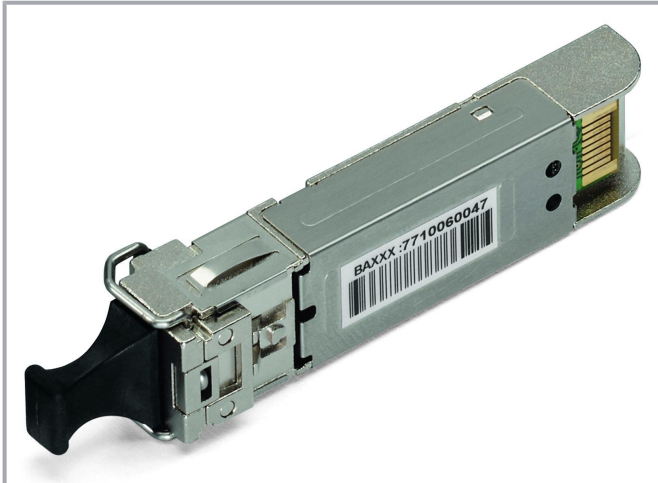


Data sheet | Item number: 852-1200

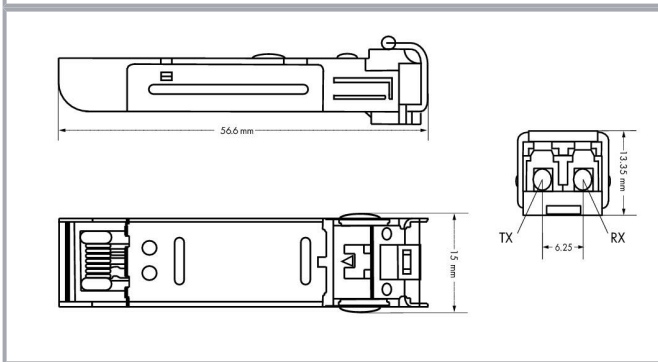
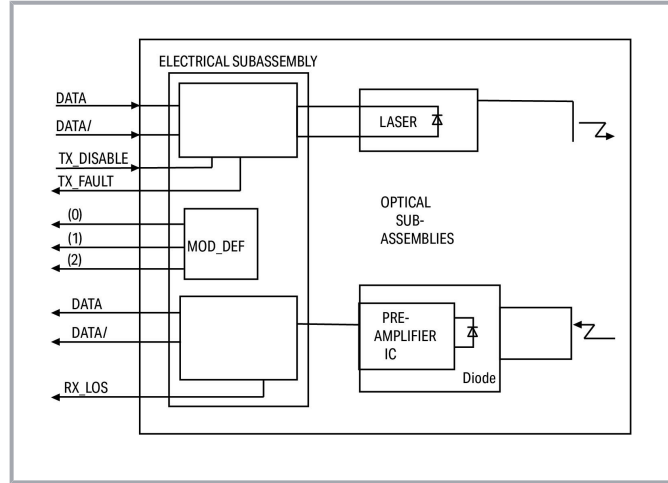
SFP Module 1000BASE; SX Multi-Mode 850 nm LC; 0.55 km; Extended temperature range; DDM; silver-colored

www.wago.com/852-1200



 Picture differs from the item.

Color: 



Item description

Features:

- Duplex LC optical connector
- Small Form-Factor Pluggable (SFP) industry-standard design
- Compliant with IEEE802.3z Gigabit ETHERNET Standard
- Differential LVPECL inputs and outputs

Subject to changes. Please also observe the further product documentation!

WAGO GmbH & Co. KG
Hansastr. 27
32423 Minden
Phone: +49571 887-0 | Fax: +49571 887-169
Email: info.de@wago.com | Web: www.wago.com

Do you have any questions about our products?
We are always happy to take your call at +49 (571) 887-44222.



- Power supply: 3.3 V
- TTL signal detect indicator
- Hot-pluggable capability

Data

Technical data

Optical fiber type	Multi-mode
--------------------	------------

Connection data

Connection technology: communication/fieldbus	1 x SFP; LC fiber-optic connector
Connection requirement (permissible cable length)	550 m
Connection requirement (permissible cable type)	Multi-mode fiber 50/125 µm; Wavelength: 850 nm
Connection requirement (permissible cable length) (2)	300 m
Connection requirement (permissible cable type) (2)	Multi-mode fiber 62.5/125 µm; Wavelength: 850 nm

Physical data

Width	13.4 mm / 0.528 inches
Height	13.3 mm / 0.524 inches
Depth	56.6 mm / 2.228 inches

Mechanical Data

Weight	17 g
Color	silver-colored

Environmental requirements

Ambient temperature (operation)	-40 ... +85 °C
Ambient temperature (storage)	-40 ... +85 °C

Commercial data

eCl@ss 10.0	19-17-01-30
eCl@ss 9.0	19-17-01-06
ETIM 8.0	EC000309
ETIM 7.0	EC000309
PU (SPU)	1 pcs
Packaging type	box
Country of origin	TW

Subject to changes. Please also observe the further product documentation!



GTIN	4055143394161
Customs tariff number	85176200000

Environmental Product Compliance


RoHS Compliance Status	Compliant, No Exemption
------------------------	-------------------------

Approvals / Certificates

General approvals

Logo	Approval	Additional Approval Text	Certificate name
	EAC Brjansker Zertifizierungsstelle	TP TC 020/2011	EAC RU C-DE.AM02.B.00087/19
	KC National Radio Research Agency	Article 58-2, Clause 3	MSIP-REM-W43-SFP852

Declarations of conformity and manufacturer's declarations

Logo	Approval	Additional Approval Text	Certificate name
	EU-Declaration of Conformity WAGO GmbH & Co. KG	-	-

Downloads

Documentation

Bid Text

852-1200 X81 - Datei	2019 Feb 19	xml 4.1 kB	Download
852-1200 doc - Datei	2017 Oct 9	doc 26.6 kB	Download
ausschreiben.de 852-1200		URL	Download

Additional Information

Disposal and Recycling

Subject to changes. Please also observe the further product documentation!

WAGO GmbH & Co. KG
Hansastr. 27
32423 Minden
Phone: +49571 887-0 | Fax: +49571 887-169
Email: info.de@wago.com | Web: www.wago.com

Do you have any questions about our products?
We are always happy to take your call at +49 (571) 887-44222.



Electrical and electronic equipment, Batteries, Packaging

V 1.1.0
2022 Aug 18

pdf
2.2 MB

[Download](#)

CAD/CAE-Data

CAE data

EPLAN Data Portal 852-1200

[URL](#)

[Download](#)

WSCAD Universe 852-1200

[URL](#)

[Download](#)

Environmental Product Compliance

Compliance Search

Environmental Product Compliance 852-1200

[URL](#)

[Download](#)

SFP Module 1000BASE; SX Multi-Mode 850 nm LC; 0.55 km; Extended temperature range; DDM; silver-colored

Installation Notes

Subject to changes. Please also observe the further product documentation!