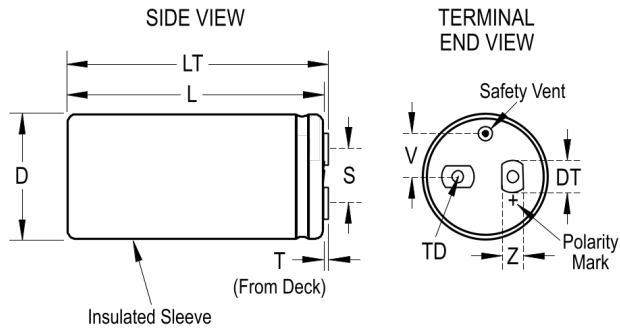


ALS70A182LM630

Aliases (A390NQ182M630A)

ALS70, Aluminum Electrolytic, 1,800 μ F, 20%, 630 VDC, -40/+85°C



Click [here](#) for the 3D model.

Dimensions

D	63.5mm +/-1mm
L	131mm +/-2mm
T	5.5mm +/-0.5mm
S	28.5mm +/-0.5mm
DT	13mm +/-0.5mm
LT	135mm +/-1mm
TD	10mm MIN
V	15.8mm NOM
Z	10mm NOM

Packaging Specifications

Sleeving	Yes
Packaging	Tray

General Information

Series	ALS70
Dielectric	Aluminum Electrolytic
Description	Screw Terminal, Aluminum Electrolytic
RoHS	Yes
AEC-Q200	No
Halogen Free	Yes
Component Weight	600 g
Notes	Dimensions D And L Include Sleeving. MS (MxH) = M12x16. Mounting Clamp (Sold Separately): V8
Shelf Life	156 Weeks

Specifications

Capacitance	1,800 μ F
Capacitance Tolerance	20%
Voltage DC	630 VDC, 690 VDC (Surge)
Temperature Range	-40/+85°C
Rated Temperature	85°C
Life	19000 Hrs (Rated Voltage And Ripple Current At 85C), 38000 Hrs (Rated Voltage At 85C)
Resistance	84.45 mOhms (100Hz 20C), 57 mOhms (10kHz 20C)
Ripple Current	11.02 Amps (100Hz 85C), 20.5 Amps (10kHz 85C)
Leakage Current	6000 μ A