

June 5, 2015

Product change

New electrode design for EF series of EPCOS 2-electrode surge arresters

The design of the electrodes of the EPCOS 2-electrode arresters of the EF series produced in our plant in Xiaogan, China, will be slightly changed. The dimensions of the component remain unchanged, except for minor modifications to the calotte of the outer electrode.

Affected products

Ordering code	Type
B88069X8651S102	EF2000X8S
B88069X8651T502	EF2000X8S
B88069X5690T502	EF2500X
B88069X5690S102	EF2500X
B88069X3383C103	EF2500XNTP
B88069X1583S102	EF2500X8S
B88069X1583T502	EF2500X8S
B88069X9381S102	EF2500X8S
B88069X9381T502	EF2500X8S
B88069X8661T502	EF2500X8S
B88069X8661S102	EF2500X8S
B88069X3273S102	EF2500X8S
B88069X3273T502	EF2500X8S
B88069X8671T502	EF2700X8S
B88069X8671S102	EF2700X8S
B88069X2013T502	EF3000X8S
B88069X2013S102	EF3000X8S
B88069X7851S102	EF3200X8S
B88069X7851T502	EF3200X8S
B88069X8691T502	EF3300X8S
B88069X8691S102	EF3300X8S

Changes from the old to the new electrode

Description	Current	New
Electrode calotte	Ø 3.9 mm	Ø 2.8 mm
	Ø 5.9 mm	Ø 5.2 mm

EPCOS AG · A TDK Group Company

Office: St.-Martin-Strasse 53, 81669 Munich · Post: P.O.Box 80 17 09, 81617 Munich, Germany

Headquarters: Munich · Commercial register of the local court (Amtsgericht): Munich HRB 127250

Chairman of the Supervisory Board: Dr. Werner Faber

Management Board: Joachim Zichlarz, Chairman · Joachim Thiele · Dr. Norbert Hess · Christian Block

www.epcos.com

Surge Arresters

Internal / External

150605AB1e

June 5, 2015

The aim of the new electrode design is to further improve the electrical performance of the product. The type designations, ordering codes and delivery times remain unchanged.

The qualification was successfully performed according to the internal green-light release guidelines.

Scheduled date of introduction: September 5, 2015

Enclosure PCN (ID No. PPD05/ T120)
Comparison of old and new electrodes

Contact Wong Huan Chee, PPD AB PM, Johore Bahru

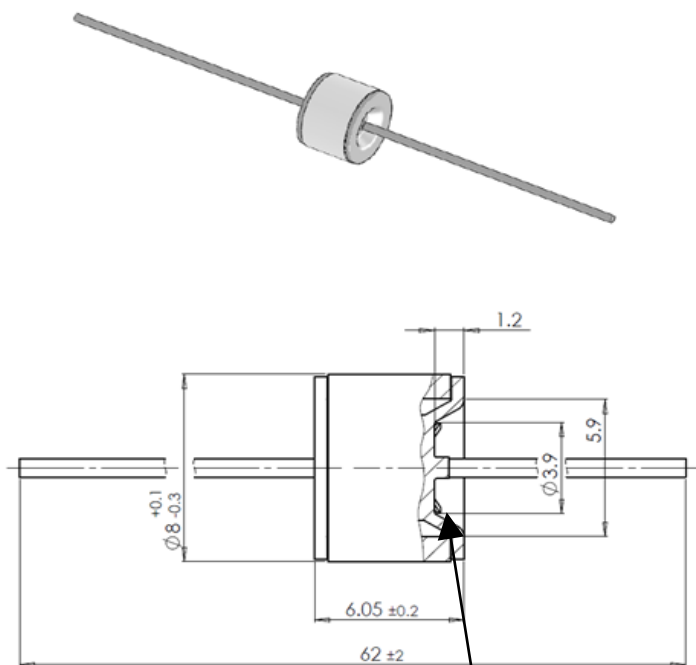
Customers are asked to address inquiries directly to their sales contacts.

Product / Process Change Notification

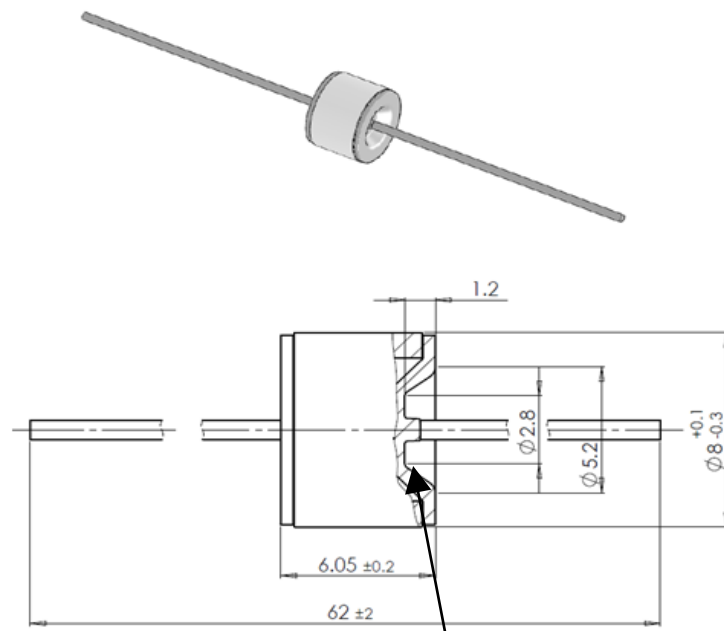
1. ID No.: PPD05/ T120		2. Date of announcement: June 5, 2015	
3. Product / product group: EF series of EPCOS 2-electrode surge arresters	Old ordering code: see UPtoDATE	New ordering code:	Customer part number:
4. Description of change: The design of the electrodes will be slightly changed. The dimensions of the component remain unchanged, except for minor modifications to the calotte of the outer electrode. The aim of the new electrode design is to further improve the electrical performance of the product (see drawing for details).			
5. Effect on the product or for the customer (benefit, quality, specification, lead time): The electrical performance will be improved and the mechanical characteristics will not be affected by these changes. The product specification defined in the data sheet, as well as the form, fit and function will be fulfilled and do not deviate from the current production.			
6. Quality assurance measures / risk assessment: The qualification is in accordance with our internal green-light quality procedure. The investigations for internal release showed no effects on the electrical and mechanical characteristics as a consequence of the change described in item 4. The established control plans will consequently not be changed. All quality assurance measures will be maintained.			
7. Scheduled date of change: September 5, 2015			
8. Estimated date of first delivery of changed product: September 5, 2015 If EPCOS does not receive notification to the contrary within a period of 10 weeks, EPCOS assumes that the customer agrees to the change. For an interim period we cannot rule out that old as well as new products will be shipped.			
Quality Management Name Markus Weiglhofer		Signature signed Weiglhofer	
Product Marketing Name Wong Huan Chee Tel. +607 3566 666 Email huanchee.wong@epcos.com		Signature signed Wong	
Customer feedback			
Customer acknowledgement		Signature	

**Annex to UPtoDATE 150605AB1 of June 5, 2015 /
New electrode design for EF series of EPCOS 2-electrode surge arresters**

Comparison of old and new electrodes



Old electrode design



New electrode design