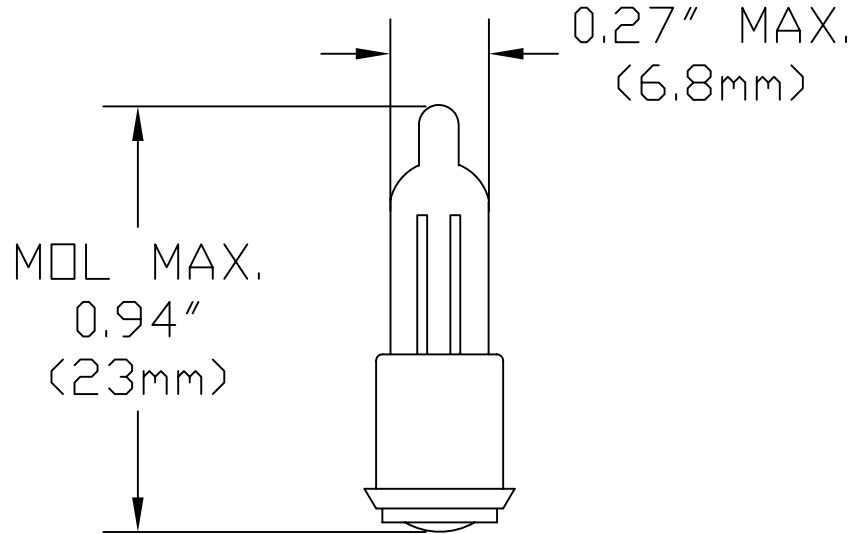


PART NO.	BASE TYPE	DESIGN VOLTS	AMPS	MSCD	SERIES RESISTOR (OHMS)	AVG LIFE HRS.
C7A (NE-2D)	SINGLE CONTACT MIDGET FLANGE	105/125	0.70	Not Applied	*30K 1/4W	25000

\* Resistor not included

Breakdown Voltage Max (AC): 95V  
Breakdown Voltage Max (DC): 135V



REVISIONS			
REV	DESCRIPTION	DATE	APPROVED

UNLESS OTHERWISE SPECIFIED: DIMENSIONS ARE IN INCHES TOLERANCES	
DECIMALS	ANGULAR
.XX ± .02	± 1°
.XXX ± .010	
FRACTIONAL	± 1/64
DRAWN S. Liu	DATE 03/01/2007
CHECKED	
DESIGN	
MATERIAL	

CEC INDUSTRIES LTD			
599 BOND STREET		LINCOLNSHIRE, IL 60069	
TITLE Neon Lamp NO. C7A (NE-2D)			
SIZE A	FSCM NO.	DWG NO. C7A	REV
SCALE 100%	PLOT SCALE	SHEET 1 OF 1	
FILE C7A-NE-2D.dwg		DO NOT SCALE DRAWING	