

CGA4J3X5R1E335K125AB

TDK Item Description : CGA4J3X5R1E335KT***



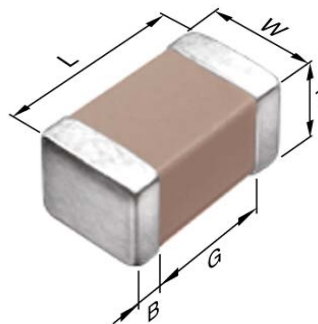
Equivalent C2012X5R1E335K for Automotive

Application & Main Feature

Automotive Grade (General (Up to 50V))

Series

CGA4(2012) [EIA CC0805]



Dimensions

- L 2.00mm +/-0.2mm
- W 1.25mm +/-0.2mm
- T 1.25mm +/-0.2mm
- B 0.20mm Min.
- G 0.50mm Min.

Temperature Characteristic

X5R (-55 to 85 degC +/-15%)

Rated Voltage

1E (25Vdc)

Capacitance

3.3uF

Capacitance Tolerance

K (+/-10%)

Dissipation Factor

7.5% Max.

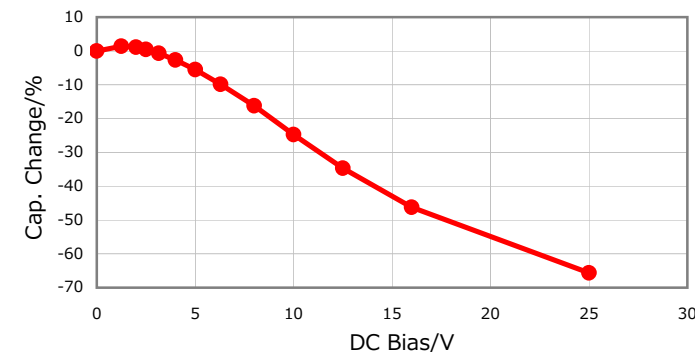
Insulation Resistance

151Mohm Min.

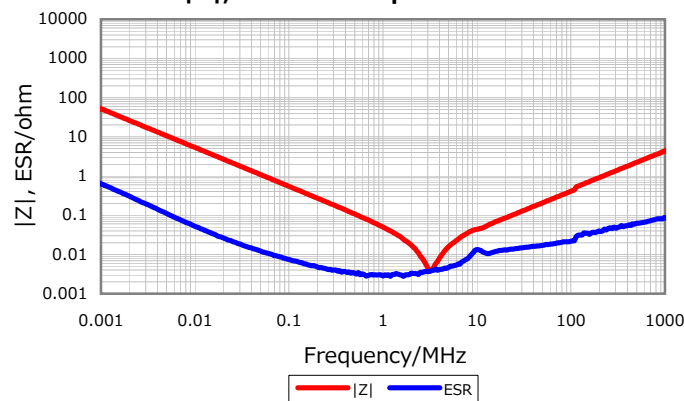
AEC-Q200

Yes

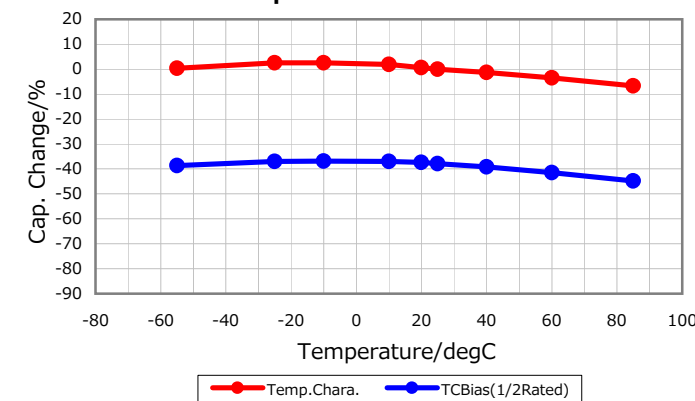
DC Bias Characteristic



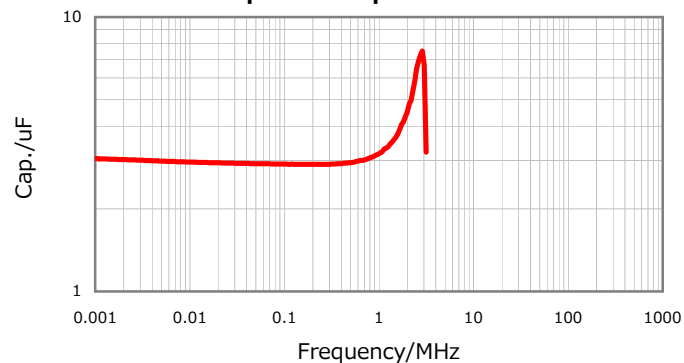
|Z|, ESR vs. Freq. Characteristics



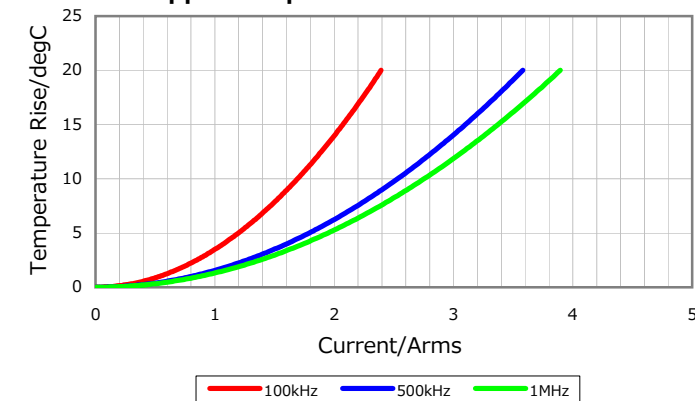
Temperature Characteristics



Cap. vs. Freq. Characteristic



Ripple Temperature Rise Characteristics



Characterization Sheet (Multilayer Ceramic Chip Capacitors)



All specifications are subject to change without notice.

January 4, 2016