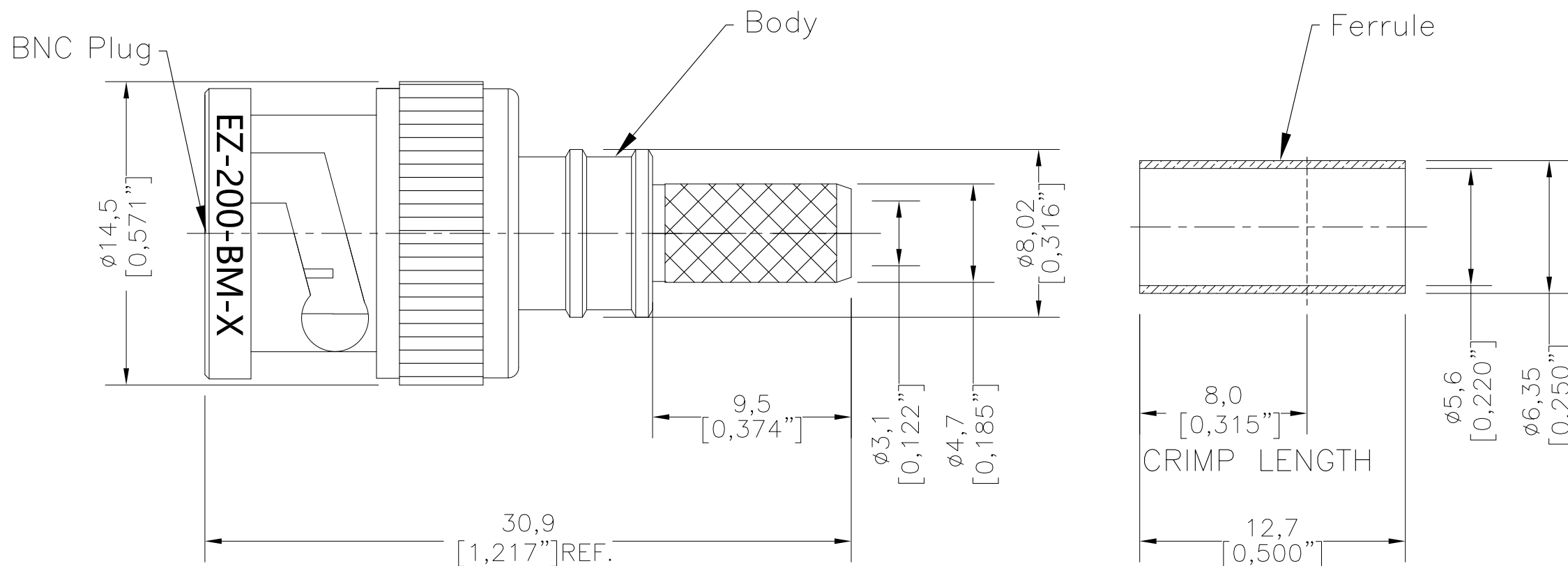


SYM	REVISION DESCRIPTION	DFTM	DATE	APPD	APPD
A	RELEASED FOR PRODUCTION	Monica	2018.07.30	Joslen	2018.07.30
B	Correct connector adds dimension	Monica	2018.08.23	Joslen	2018.08.23



**I. MATERIALS & FINISHES**

Components	Materials	Finishes	Thk. (μ")
Body	Brass	Albaloy	80
Center Cont.	Beryllium Copper	Gold	50
Ferrule	Brass	Albaloy	80
Nut	Brass	Albaloy	80
Insulator	PTFE	--	--
Gasket	Silicone	--	--

**II. ELECTRICAL PROPERTIES**

Impedance (Ω):	50
Frequency Range (GHz):	DC to 4 GHz
Dielectric Withstanding Voltage (V):	1000
Insulation Resistance (MΩ):	≥5000
VSWR:	≤1.30
Insertion Loss(dB, f/GHz):	-0.1x √f

**III. ENVIRONMENT PROPERTIES**

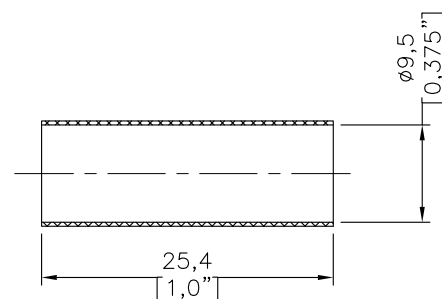
Temperature Range:	-40°C~+125°C
Thermal Shock:	MIL-STD 202G, Meth.107, Cond.B
Vibration:	MIL-STD 202G, Meth.204, Cond.B
Shock:	MIL-STD 202G, Meth.213, Cond G
Climatic Class:	IEC 60068 55/155/21
(2002/95/EC)RoHS:	Compliant

**IV. MECHANICAL PROPERTIES**

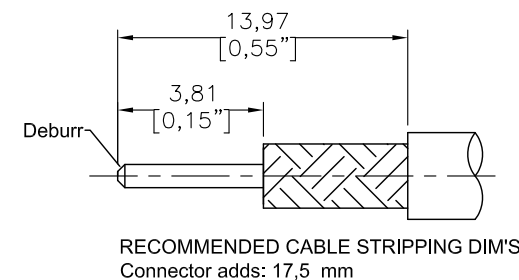
Center Cont.:	Captive
Outer Cont.:	Crimp
Coupling Nut Torque (N.m):	0.28
Cbl-Connector Retention Force (N):	150
Durability (cycles):	500

**V. TOOLING**


Stripping Tool: 3192-102/CST-195/200  
Crimping Tool: 3190-667/CT-240/200/100



Shrink Tube (3/8"x1.0" 3:1)



Compatible with Standard: IEC 61169-8

MATL:	UNLESS OTHERWISE SPECIFIED	DFTM.	Monica	
USED ON: 0	ALL DIMENSIONS ARE IN mm MACHINED SURFACES FINISH 1.6 RMS MAX. REMOVE ALL BURRS 0.15X45° MAX. BREAK MACHINE CORNERS 0.15X45° D MAX. FILLET R. TOLERANCES ON DECIMALS .X ±0.3 .XX ±0.15 ANGLES ±2° FRACTIONS ± N/A	DATE	2018.07.30	
SCALE: N/A DWG SIZE A4		CHKD	Patrick	
		DATE	2018.07.30	
		APPD	Joslen	
	DO NOT SCALE DRAWING	DATE	2018.07.30	<b>EZ-200-BM-X</b> BNC Male(Plug) Straight Non-Solder Pin No Braid Trim Connector for LMR-200 Cable
	CODE IDENT	68999	DATE	S H T 1 OF 1 <b>3190-6433</b>
				R E V B