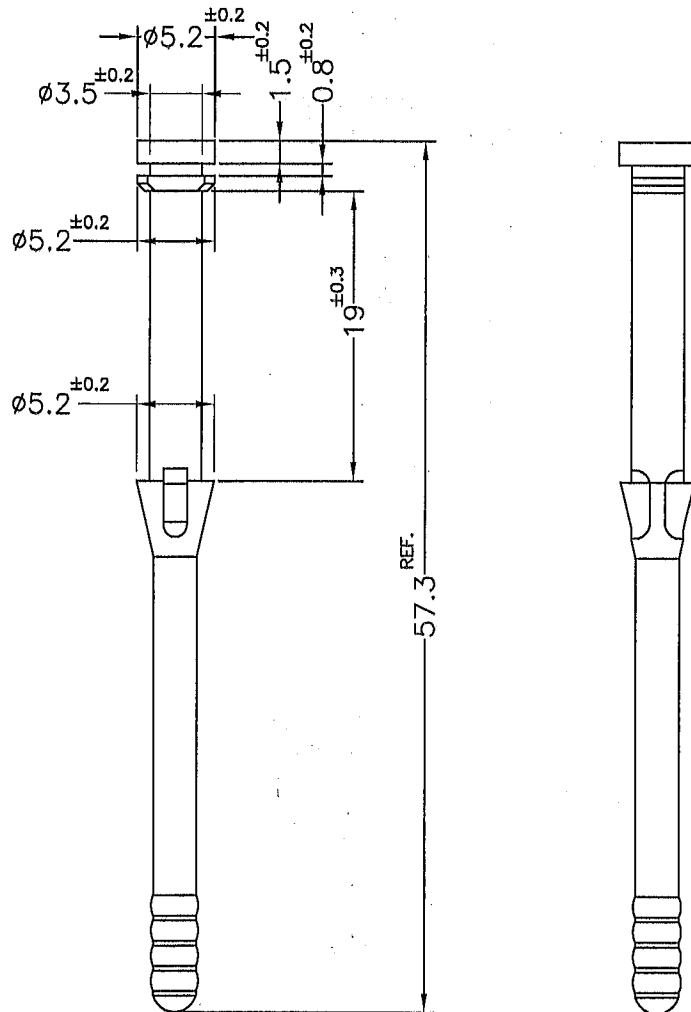




REVISIONS			
REV	DESCRIPTION	DATE	BY



FAN MOUNTING HOLE $\phi 3.5$
 CHASSIS MOUNTING HOLE $\phi 3.5$

NOTE:MADE OF EQUIVALENT MATERIAL.
 可使用同等材質.

 康揚企業股份有限公司 KANG YANG HARDWARE ENTERPRISE CO., LTD. 康揚塑膠(東莞)有限公司 KANG YANG PLASTIC(DONG GUAN) CO., LTD. 康哲電腦配件(吳江)有限公司 KANG CHE COMPUTER COMPONENTS(WUJIANG) CO., LTD.		TITLE	FAN SNAP RIVET	SPEC. DWG.
		MATERIAL	TPE	DATE
PART NUMBER		FINISH	DRAWN	BUNNY
BUB-57G		COLOR	CHECK	彭永承
DRAWING NUMBER		UNLESS OTHERWISE SPECIFIED TOLERANCE	APPROVED	
SIZE	SCALE	UNIT	REV	
A4	2:1	mm	A	