

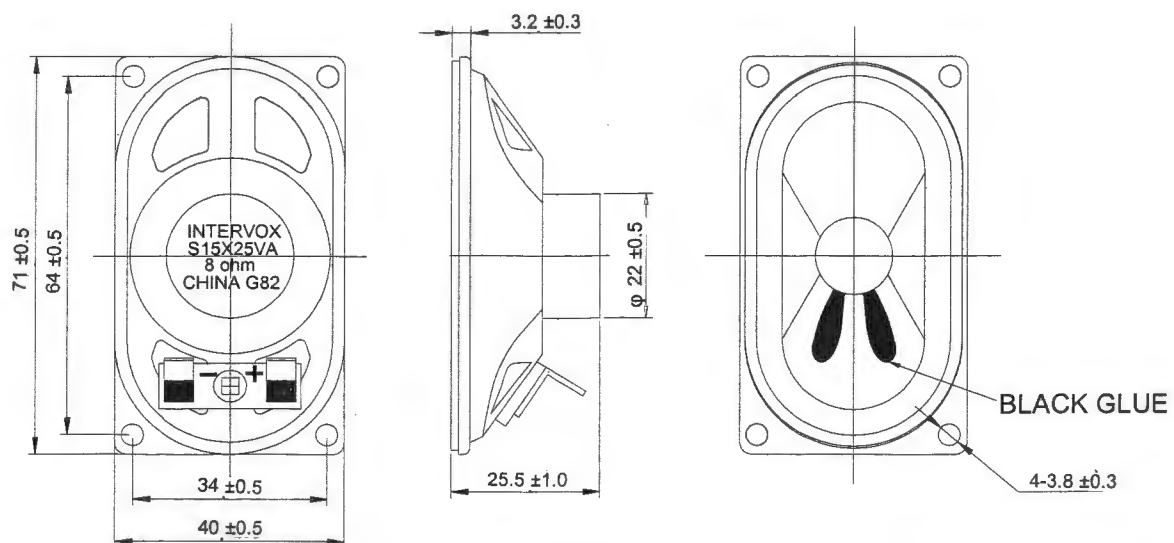
INTERVOX Speakers from International ©

215 McCormick Drive, Bohemia, NY 11716 (631)952-9595 Fax: (631) 952-9597 e-mail: oemsales@icc107.com

Code No. G82

| ICC Part No. | S15X25VA (RoHS Compliant) | |
|---------------------------|--|--|
| 1. Size | 41 x 71 mm | Weight: 38 grams |
| 2. Materials | Magnet: Rare Earth | Housing: Metal |
| 3. Power Rating | Nominal: 3 W | Maximum: 5 W |
| 4. Voice Coil Impedance | $8 \Omega \pm 15 \%$ | at 1K Hz 1.26V |
| 5. Buzz & Rattles | Must not be evident | 1.26V (const. voltage) |
| 6. Resonant Frequency | 250 Hz \pm 70 Hz | at Fo Hz 1.26V |
| 7. S.P.L. | 86 dB/W \pm 3 dB | 1W 0.5M Average of 0.8, 1.0, 1.2, 1.5 KHz |
| 8. Response | 100 ~ 20K Hz Dev. 20dB Max. | 1W 0.5M |
| 9. Distortion | 5% Maximum | 1W 0.5M |
| 10. Load Test | Speaker shall meet item 5 after test. | 2W 8 Hours Use White Noise (EIA Filter) |
| 11. Humidity Test | Speaker shall meet item 5, 6 & 9 after test. | 40° C 90~95 % R.H. 8 Hrs. |
| 12. Heat Test | | 70° C 20~50 % R.H. 8 Hrs. |
| 13. Operating Temperature | -20° to +60° C | |
| 14. Storage Temperature | -30° to +70° C | |
| 15. Polarity | With Positive voltage applied to the (+) terminal, the cone shall move away from the pole piece. | |

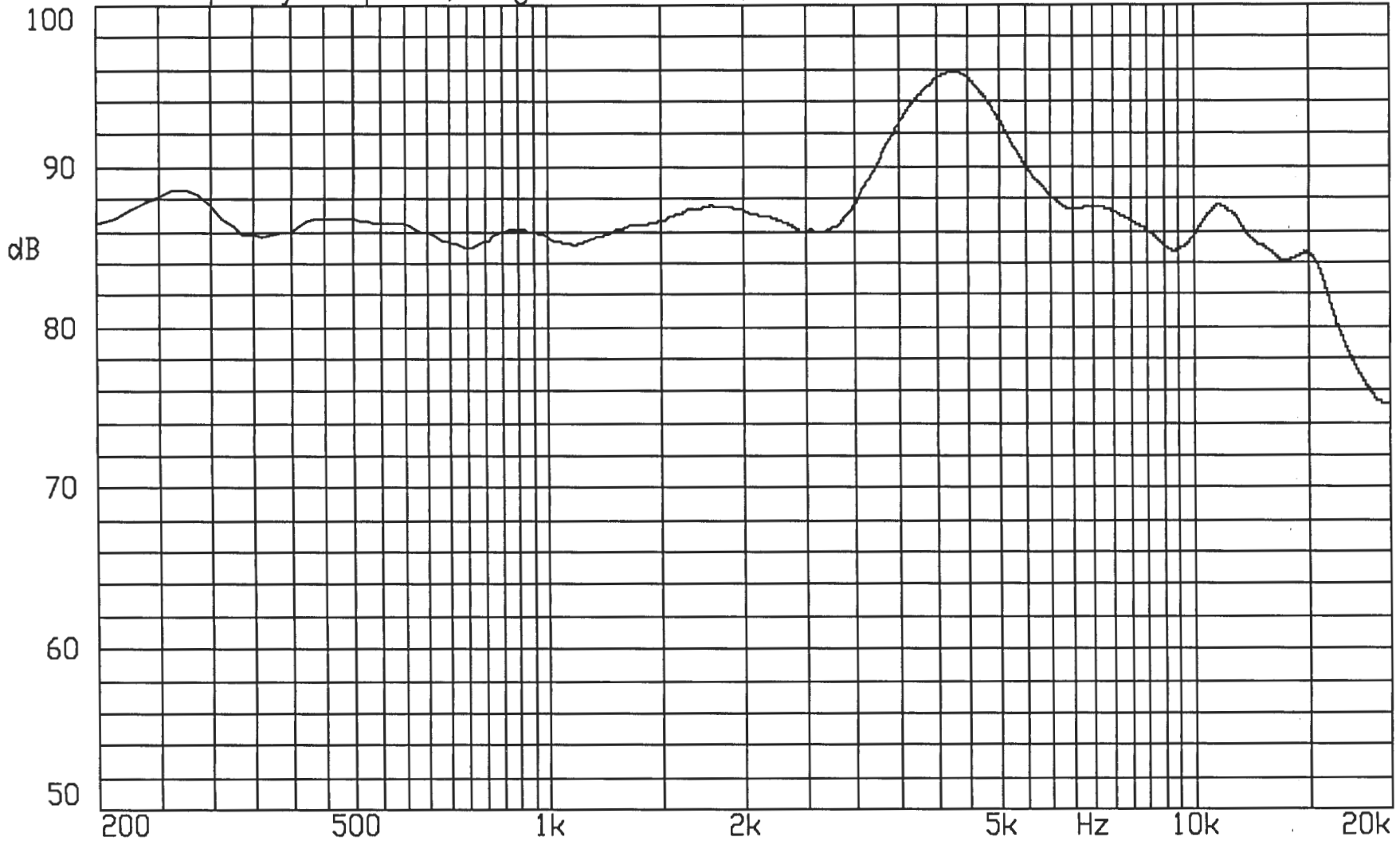
Dimensions:



Model No. S15X25VA (RoHS Compliant)
Code: G82

Imp.: 8 Ω 1,000 Hz 2.83 V
S.P.L.: 86 \pm 3 dB 1 W 0.5 M

A: Frequency Response, Magn dB re 20.00 μ Pa



10-OCT-2008 09:19:01

Mode: TSR

