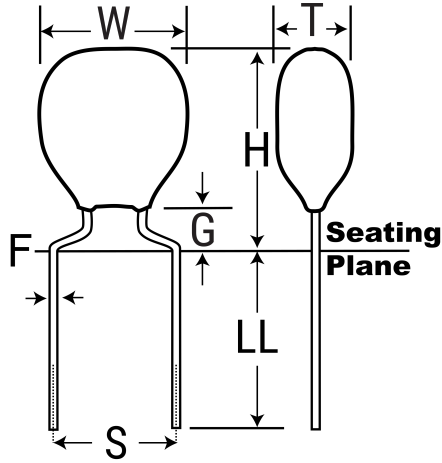


## T368C106K035AT

T368, Tantalum, MnO2 Tantalum, Commercial Grade, 10 uF, 10%, 35 VDC, Radial, Solid Tantalum, Conformal, Rectangular Anode, Lead Spacing = 6.35mm



Click [here](#) for the 3D model.

Dimensions	
W	10.16mm
H	10.67mm +2.54mm
T	6.35mm
S	6.35mm +/-0.38mm
LL	4.75mm +/-0.81mm
F	0.64mm +/-0.05mm

Packaging Specifications	
Packaging	Bulk, Bag
Packaging Quantity	500

General Information	
Series	T368
Dielectric	MnO2 Tantalum
Style	Radial
Description	Radial, Solid Tantalum, Conformal, Rectangular Anode
Features	Rectangular Anode
RoHS	Yes
Termination	Tin
AEC-Q200	No
Notes	Longest Lead Is Positive.

Specifications	
Capacitance	10 uF
Capacitance Tolerance	10%
Voltage DC	35 VDC (85C), 1.75 VDC (85C Reverse)
Temperature Range	-55/+85°C
Dissipation Factor	6%
Leakage Current	2.8 uA

Statements of suitability for certain applications are based on our knowledge of typical operating conditions for such applications, but are not intended to constitute - and we specifically disclaim - any warranty concerning suitability for a specific customer application or use. This information is intended for use only by customers who have the requisite experience and capability to determine the correct products for their application. Any technical advice inferred from this information or otherwise provided by us with reference to the use of our products is given gratis, and we assume no obligation or liability for the advice given or results obtained.