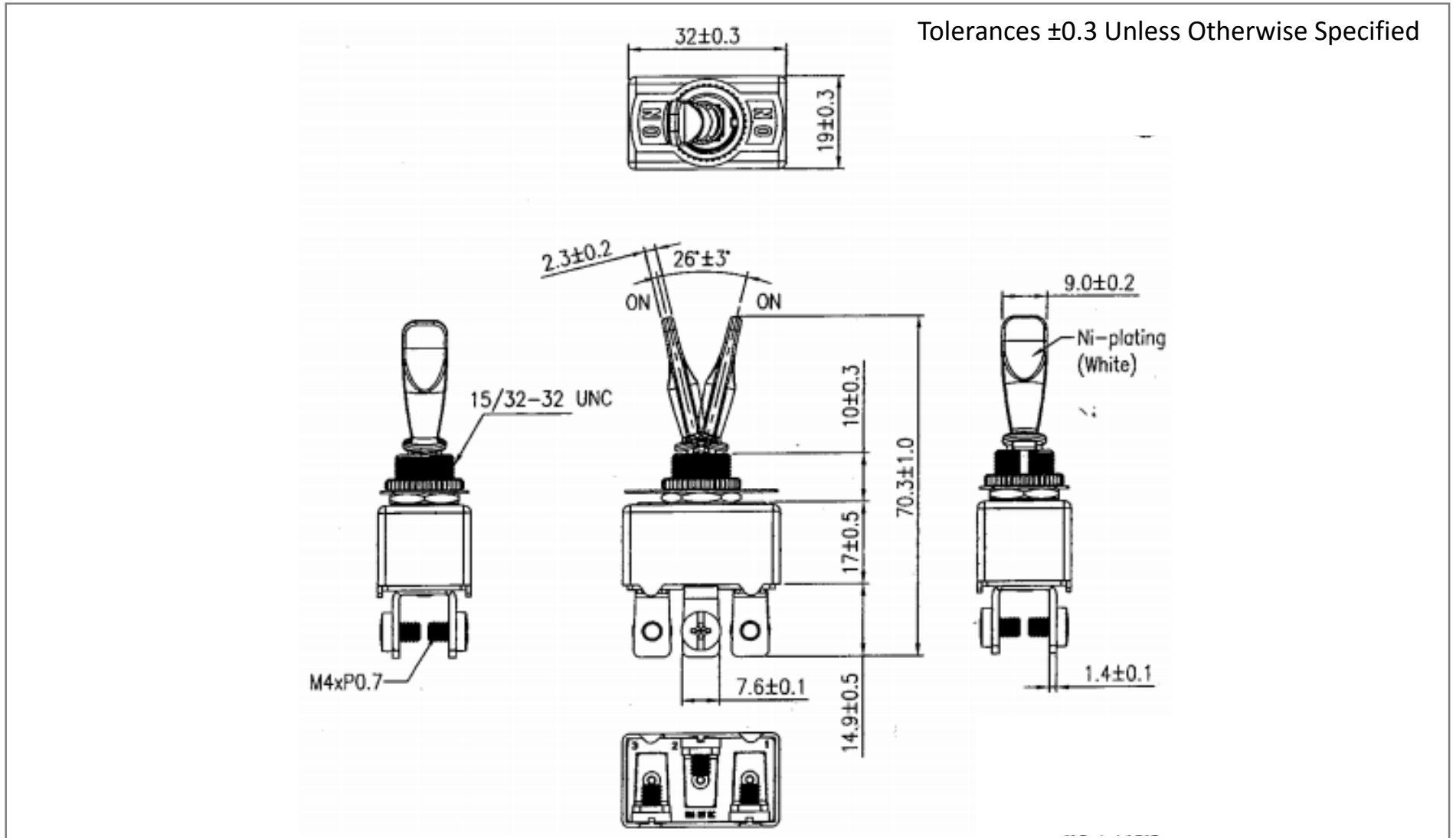
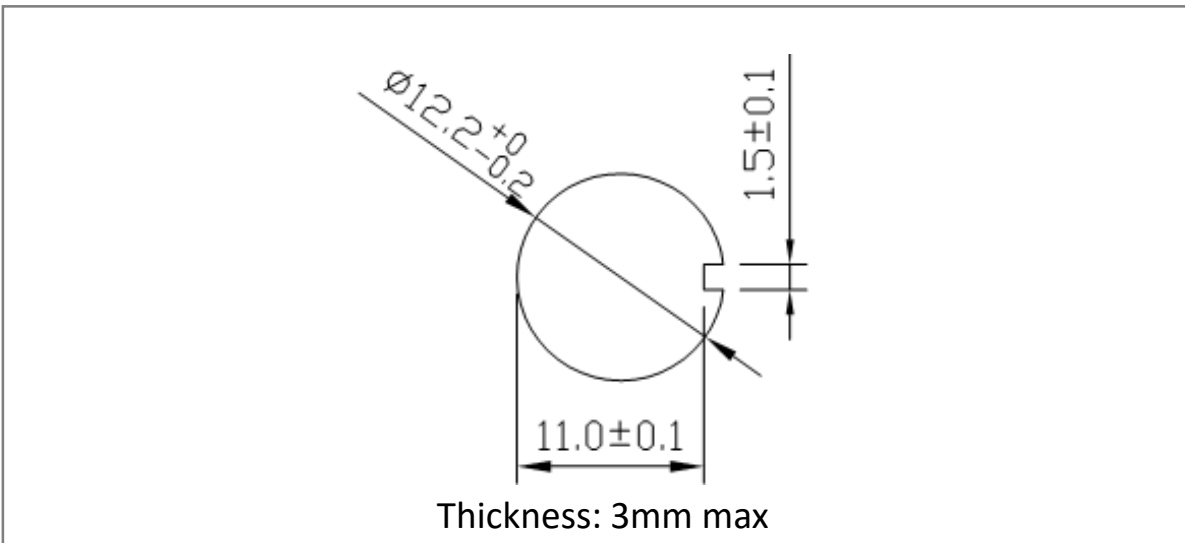


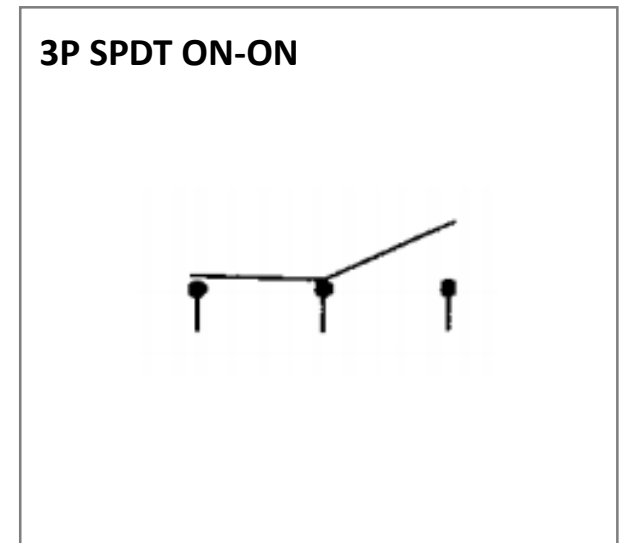
**Mechanical Dimensions (mm)**



**Mounting Hole**



**Circuit Diagram**



**Electrical Specifications**

Rating	50A 12V DC
Contact Resistance	50m ohm Max.
Insulation Resistance	DC 500V 100M ohm Min.
Dielectric Strength	AC 1500V 1 minute

**Material Specifications**

Frame	Zn alloy
Actuator	Ni-plating, Zn alloy